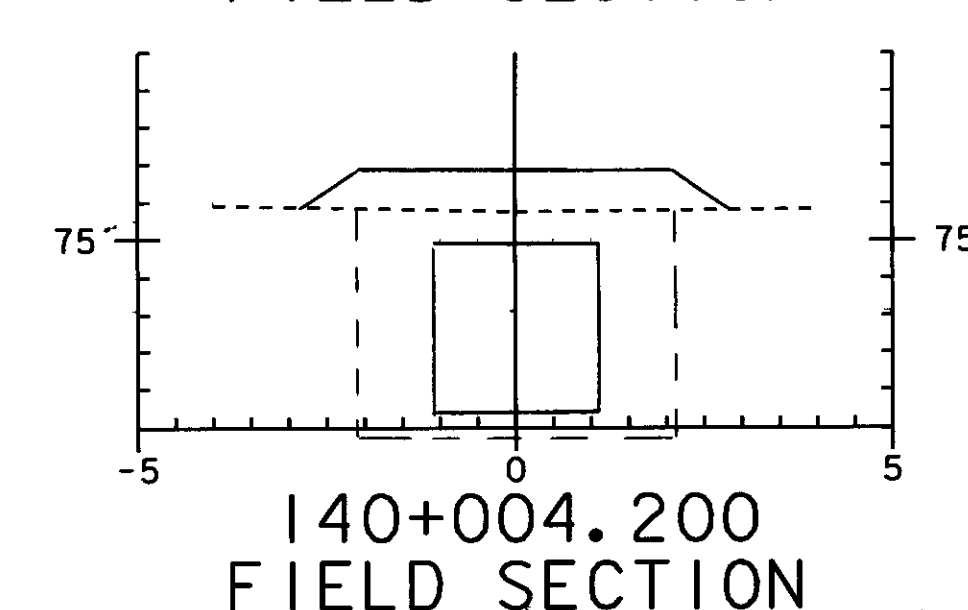
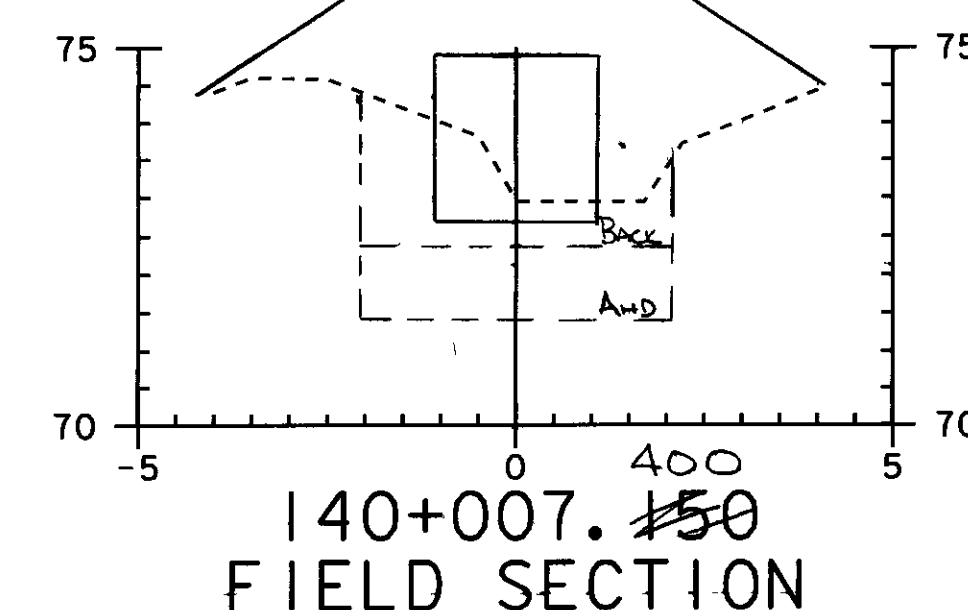
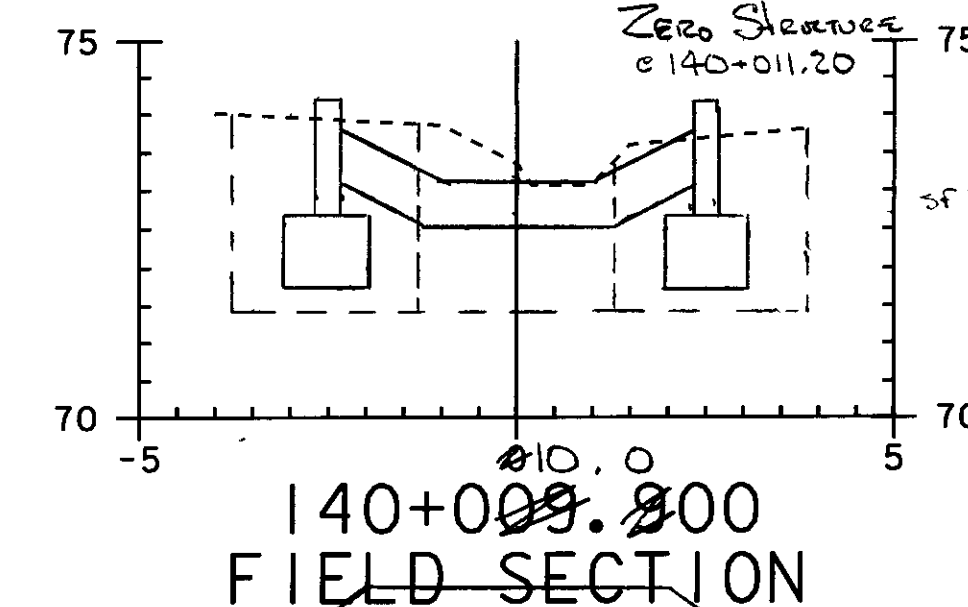
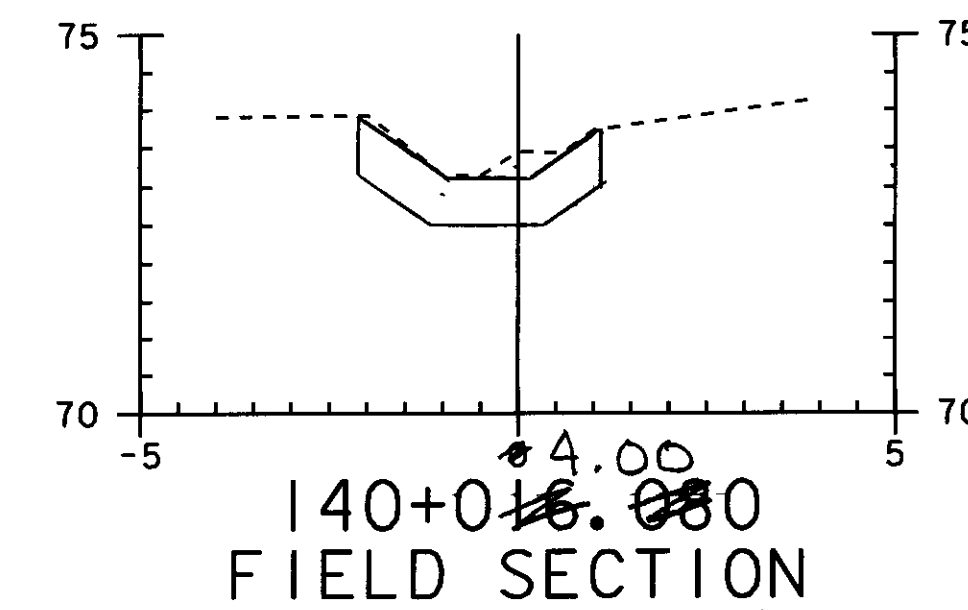
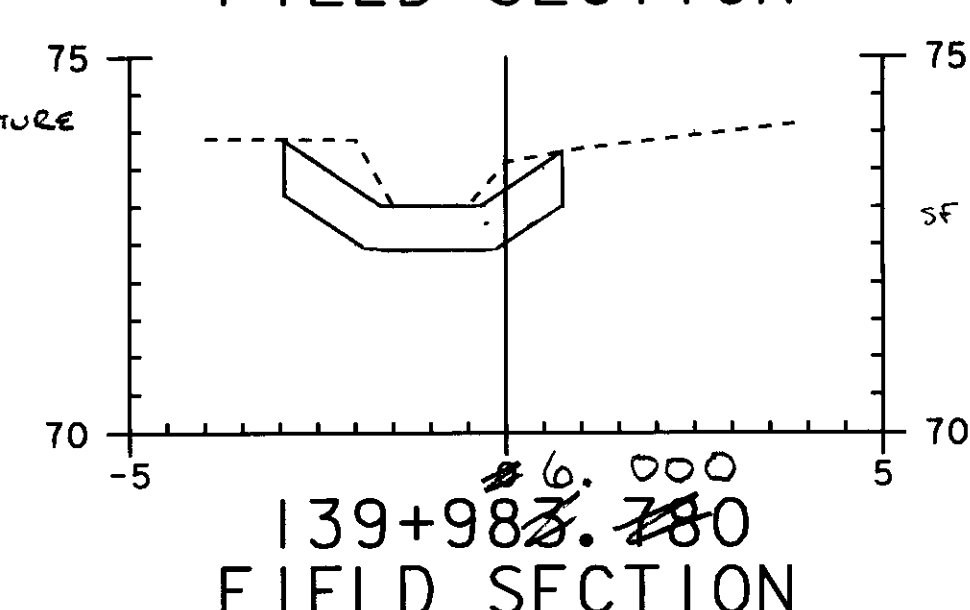
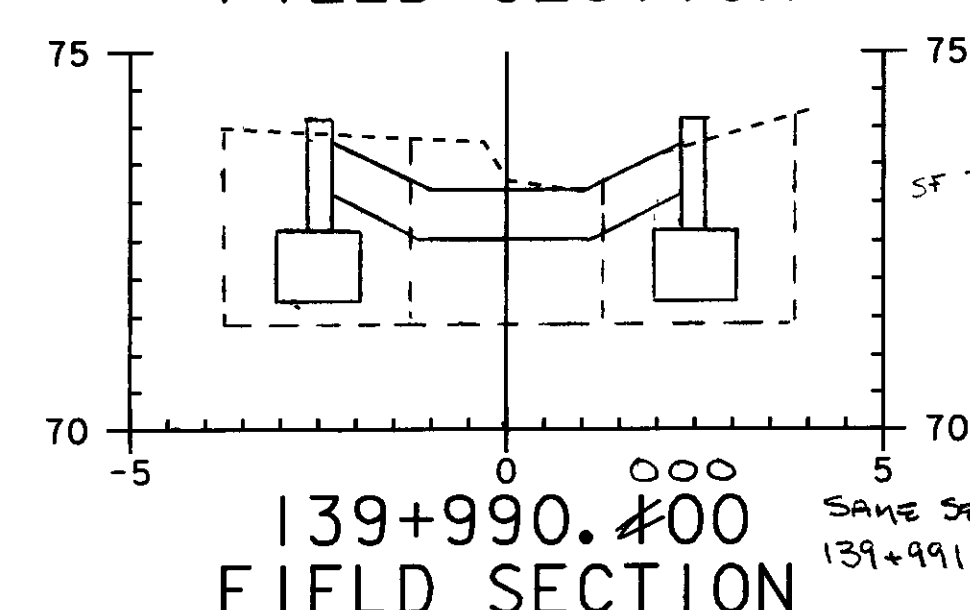
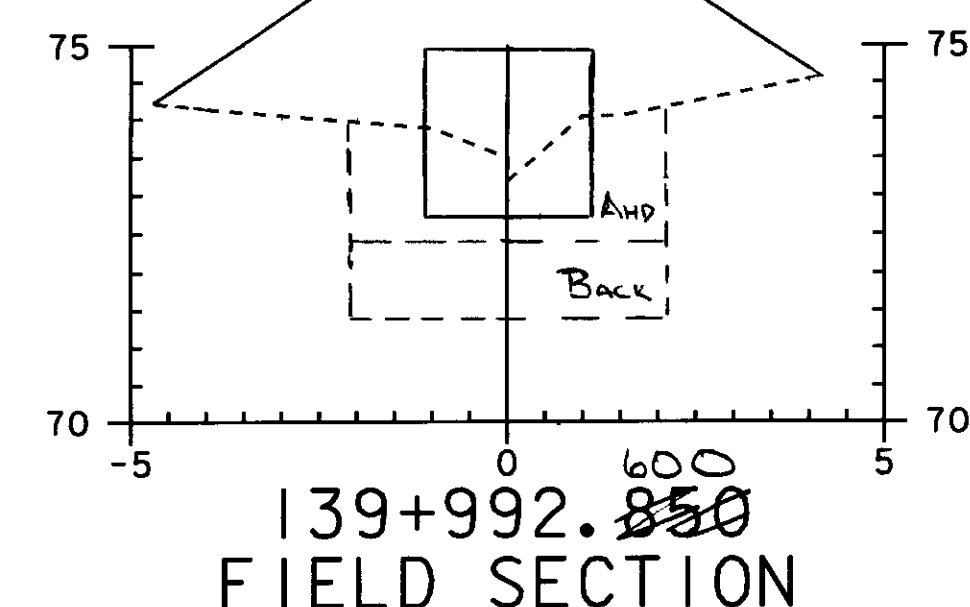
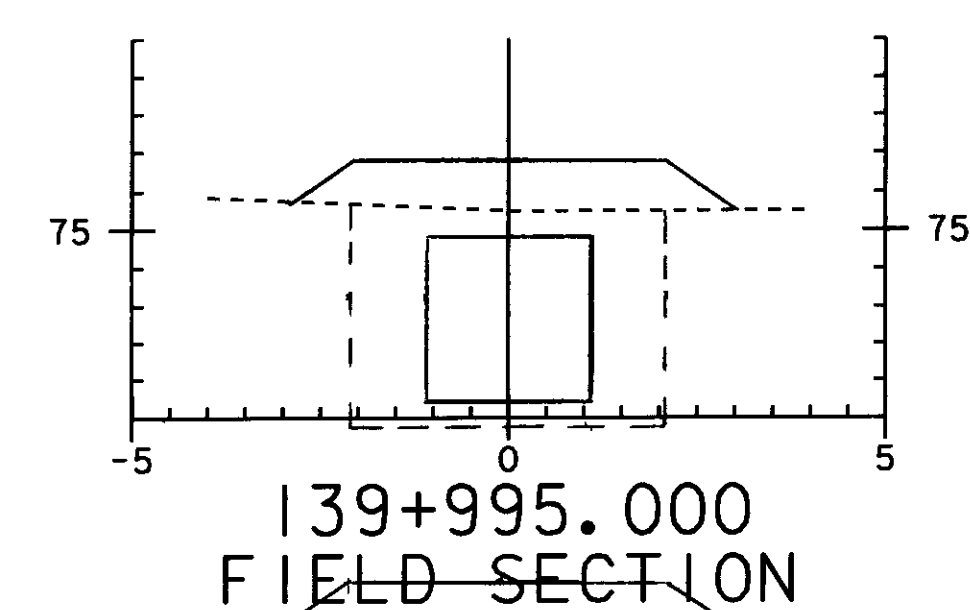
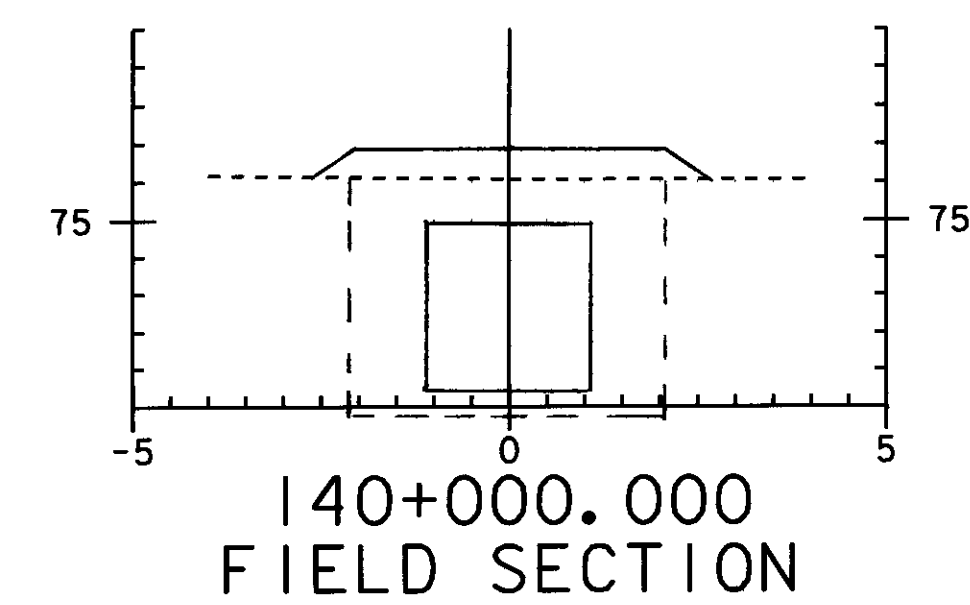


UNCLASSIFIED CHANNEL EXCAVATION			
Station	Dist	Area sm	Vol cm
139+986	4'	3.4	12.0
+990		2.6	
140+010	4'	2.4	10.0
+014		2.6	22.0 cm

STRUCTURE EXCAVATION			
Station	Dist	Area sm	Vol cm
139+988.8	1.2'	0	10.4
+990.0	1.3'	17.4	22.6
+991.3	1.3'	17.4	18.1
+992.6	1.3'	10.5	
+992.6	2.4'	6.0	21.6
+995.0	5.0'	12.0	63.5
140+000.0	4.2'	13.4	55.0
+004.2	3.2'	12.8	27.8
+007.4		4.6	
+007.4	1.3'	8.5	10.7
+008.7	1.3'	17.2	22.4
+010.0	1.2'	17.2	10.3
+011.2		0	268.4 cm

STONE FILL TYPE II # GEOTEXTILE UNDER STONE FILL					
Station	Dist	Area sm	Vol cm	Length	Area sm
139+986	4'	2.4	10.6	5.5	20.6
+990	1.4'	2.9	2.8	4.8	4.6
+991.4		1.1		1.8	
140+008.6		1.1		1.8	4.6
+010.0	4'	2.9	2.8	4.8	19.6
+014.0	4'	2.1	10.0	5.0	49.4 sm
			26.2 cm		549 sm

GRANULAR BACKFILL FOR STRUCTURES			
Station	Dist	Area sm	Vol cm
HEADWALL (FROM DRAINAGE SH #7)			
139+988.8		14.4	35.3
+992.6	2.4'	10.2	29.5
+995.0	5.0'	16.0	50.5
140+000.0	4.2'	10.7	43.5
+004.2	3.2'	13.2	38.2
+007.4			
HEADWALL			
			35.3
			232.3 cm



WRP 01-16-07
TWS 1-26-7