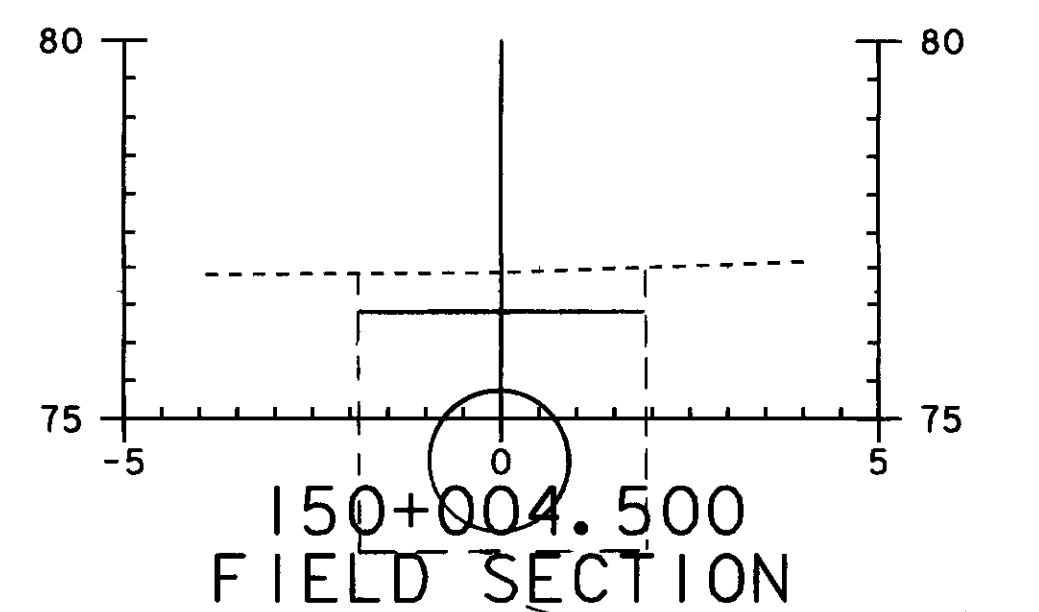
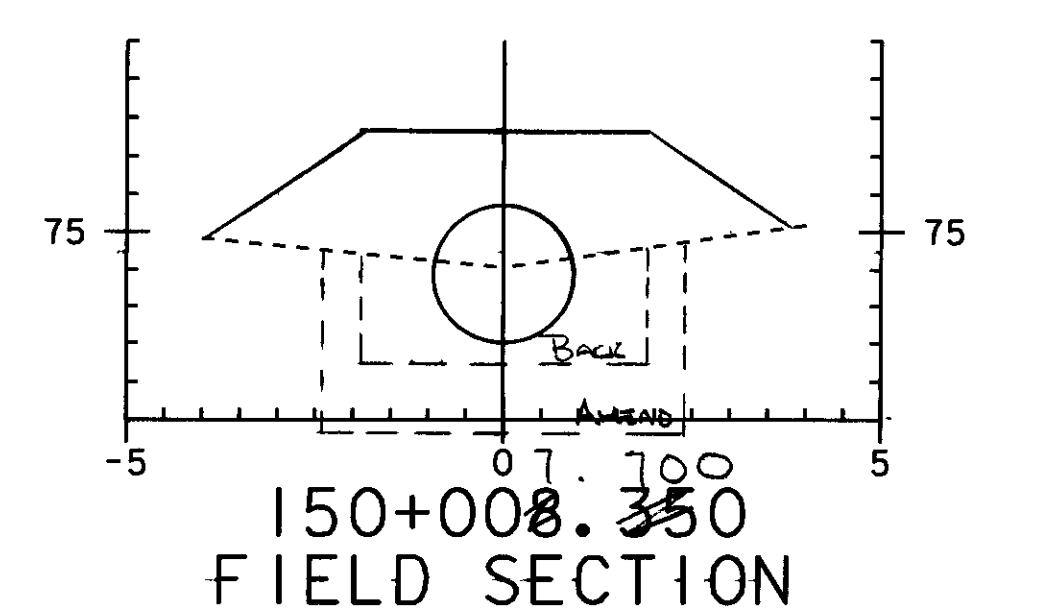
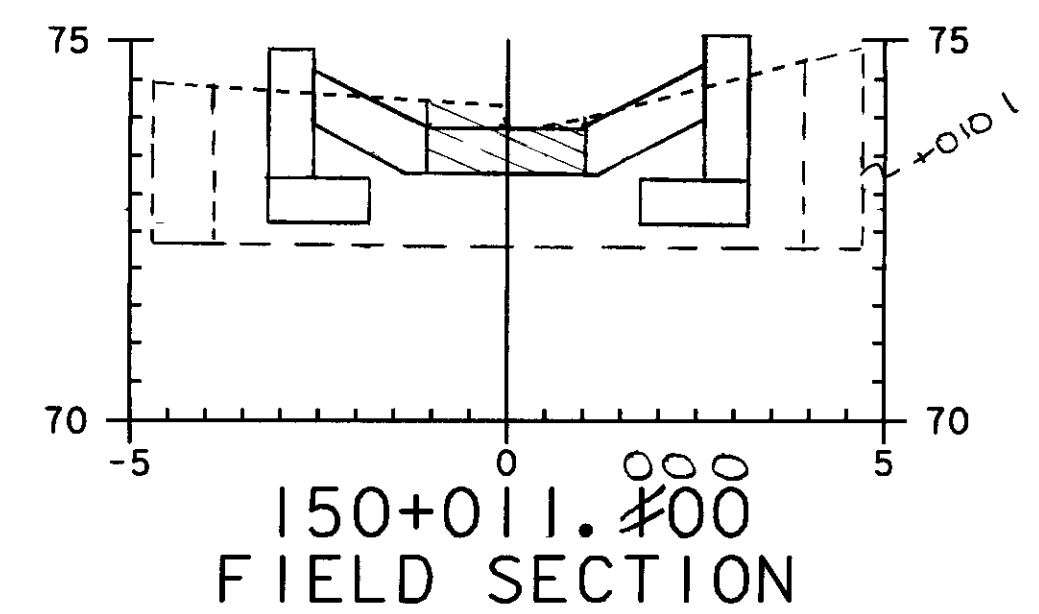
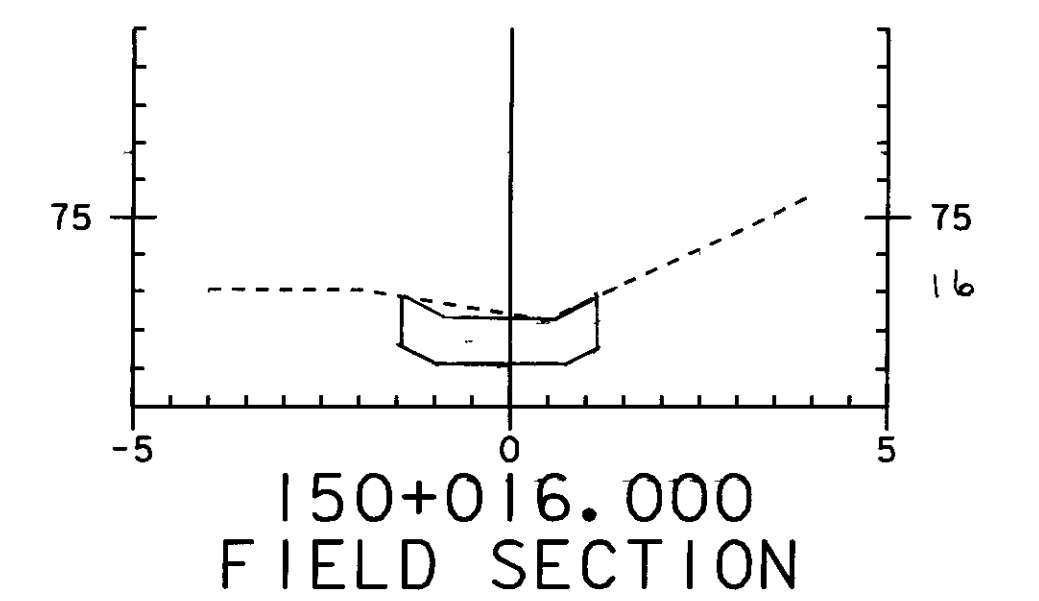
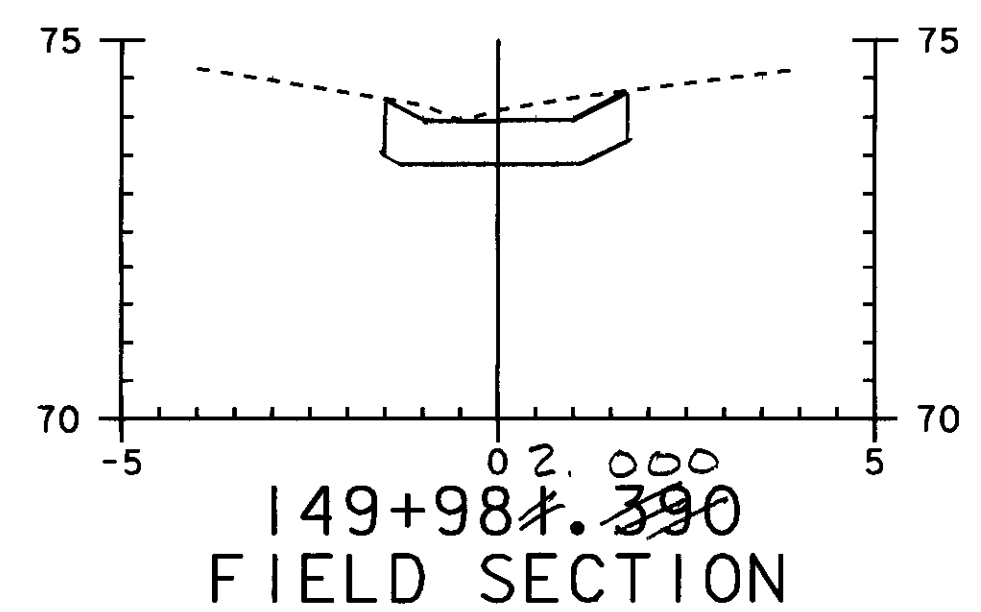
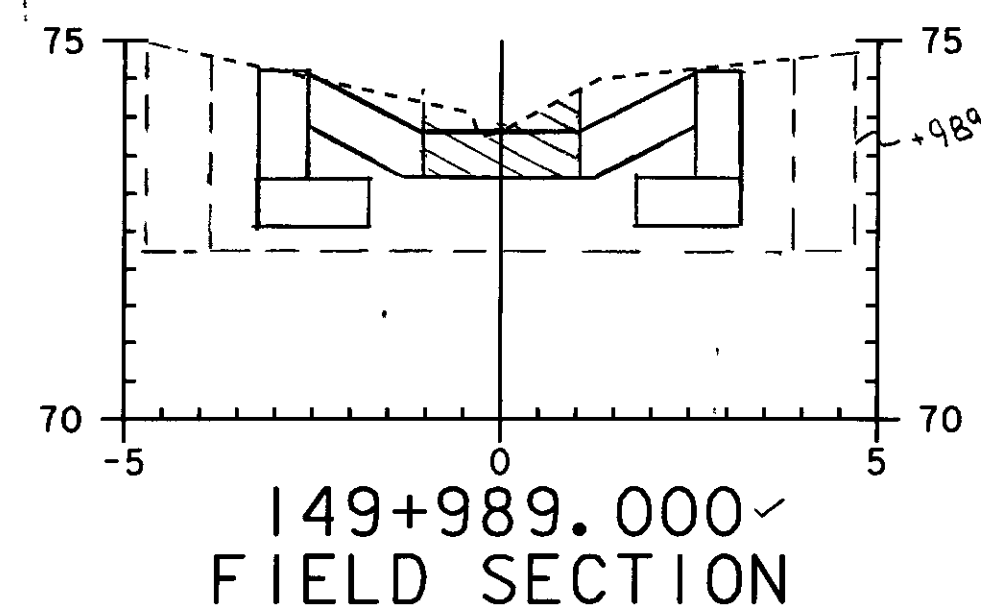
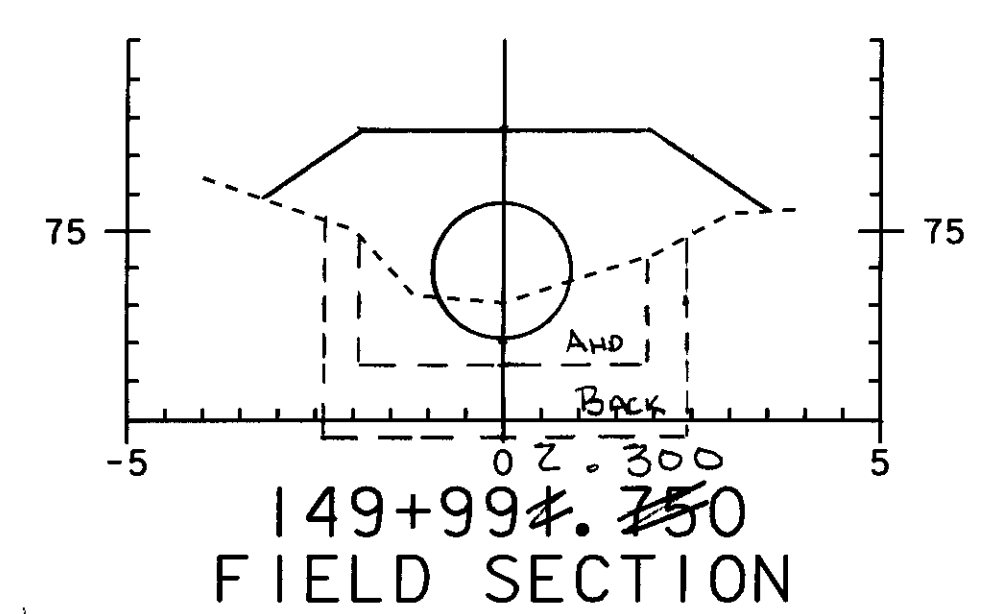
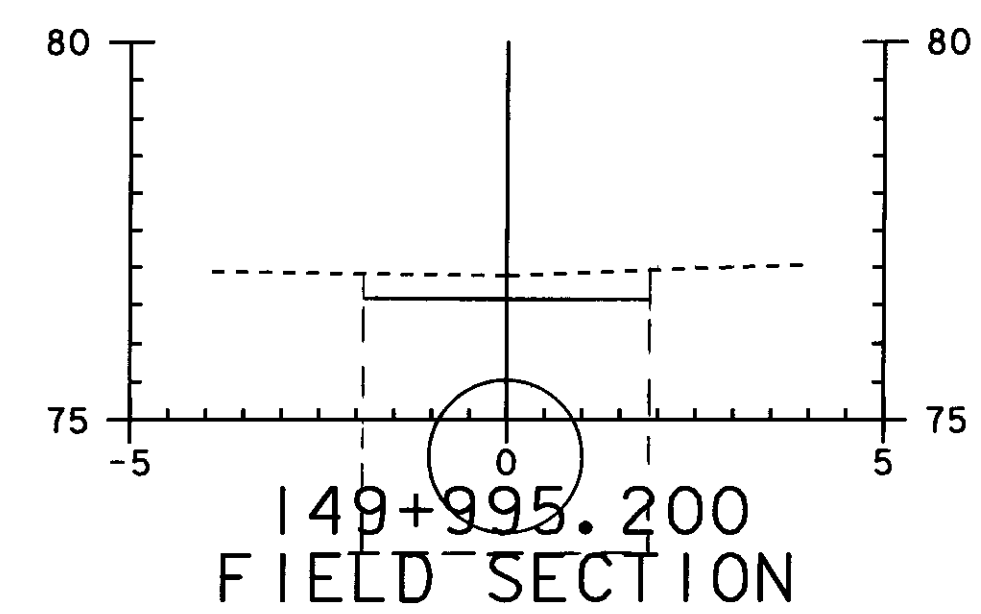
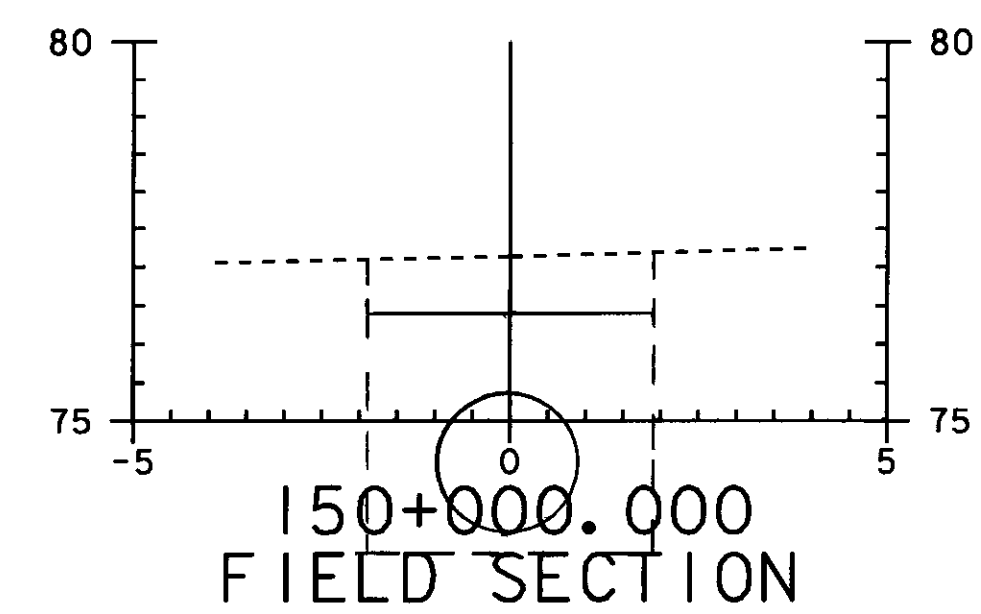


UNCLASSIFIED CHANNEL EXCAVATION			
Station	Dist	Area sm	Vol cm
149+982.0	7'	2.4	14.7
+989.0		1.8	
150+011.0	5'	1.6	8.5
+016.0		1.8	23.2 cm ¹⁻²⁶⁻⁷ _{sws}

STRUCTURE EXCAVATION			
Station	Dist	Area sm	Vol cm
149+987.6	1.4'	0	11.8
+989.0	0.9'	16.9	17.1
+989.9	0.9'	21.0	37.4
+992.3	2.4'	10.2	
+992.3	2.9'	4.0	26.1
+995.2	4.8'	14.0	69.6
+000.0	4.5'	15.0	65.5
+004.5	3.2'	14.1	31.0
+007.7	3.2'	5.3	
+007.7	2.4'	11.2	32.2
+010.1	0.9'	15.6	15.8
+011.0	1.4'	19.4	13.6
+012.4		0	320.1 cm ^{sws} ₁₋₂₆₋₇



STONE FILL, TYPE II # GEOTEXTILE UNDER STONE FILL					
Station	Dist	Area (sm)	Vol	Length	SM
149+982	7'	2.0	18.2	4.9	41.0
+989		3.2	6.8		
+990.1	1.1'	1.8	2.8	4.4	6.2
150+009.9		1.8	4.4		
+011	1.1'	3.2	2.8	6.8	6.2
+016	5'	1.6	12.0	4.1	27.2
			35.8 cm ^{sws} ₁₋₂₆₋₇		80.6 cm ^{sws} ₁₋₂₉₋₇

GRANULAR BACKFILL FOR STRUCTURES			
Station	Dist	Area sm	Vol cm
149+912.3	2.9'	12.8	35.6
+995.2	4.8'	10.8	34.2
+000.0	4.8'	10.8	51.8
+004.5	4.5'	10.8	48.6
+007.7	3.2'	15.2	41.6
HEADWALL			
			35.6
			247.4 cm ^{sws} ₁₋₂₆₋₇