

UNCLASSIFIED CHANNEL EXCAVATION

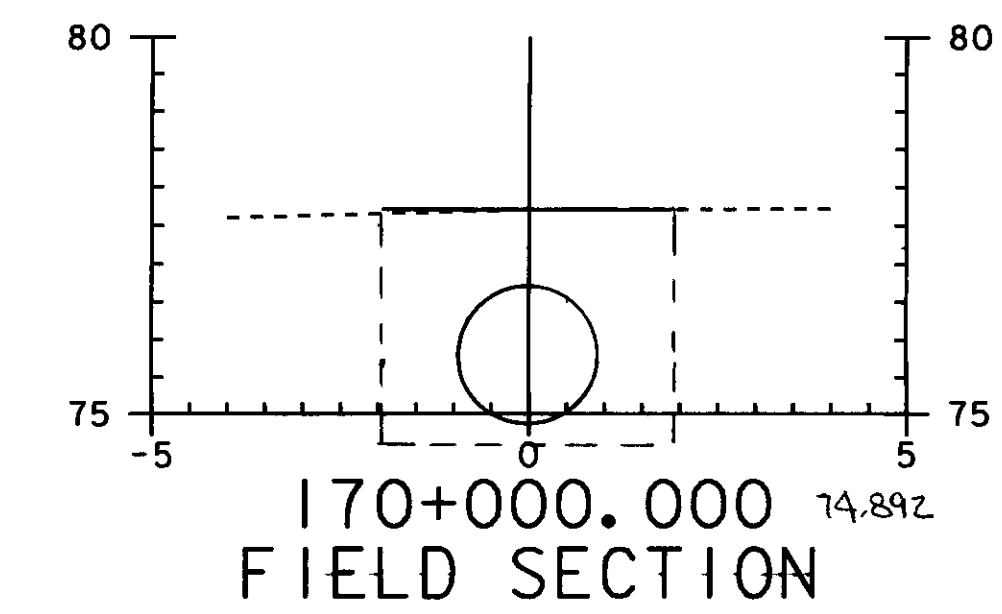
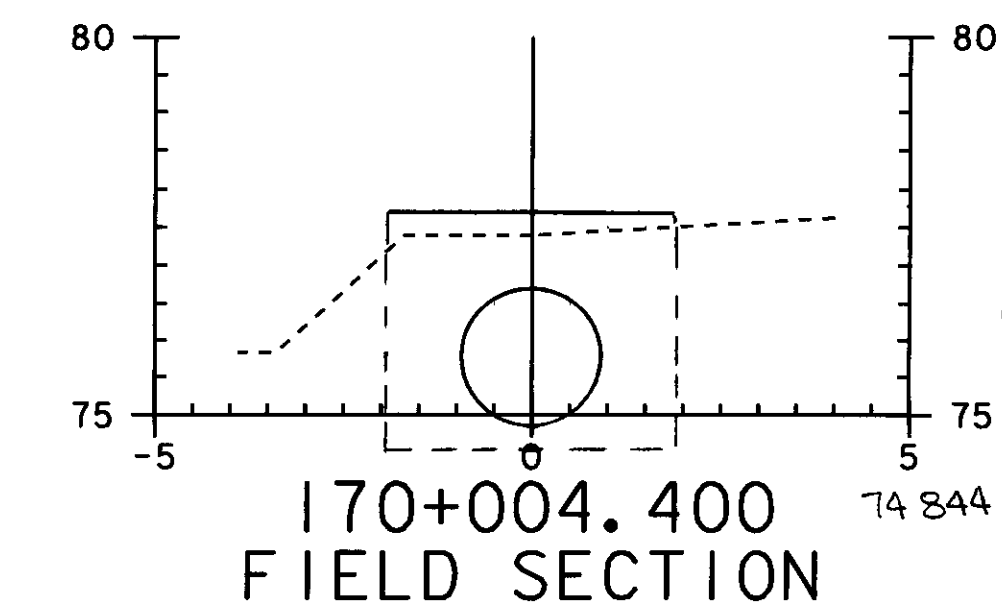
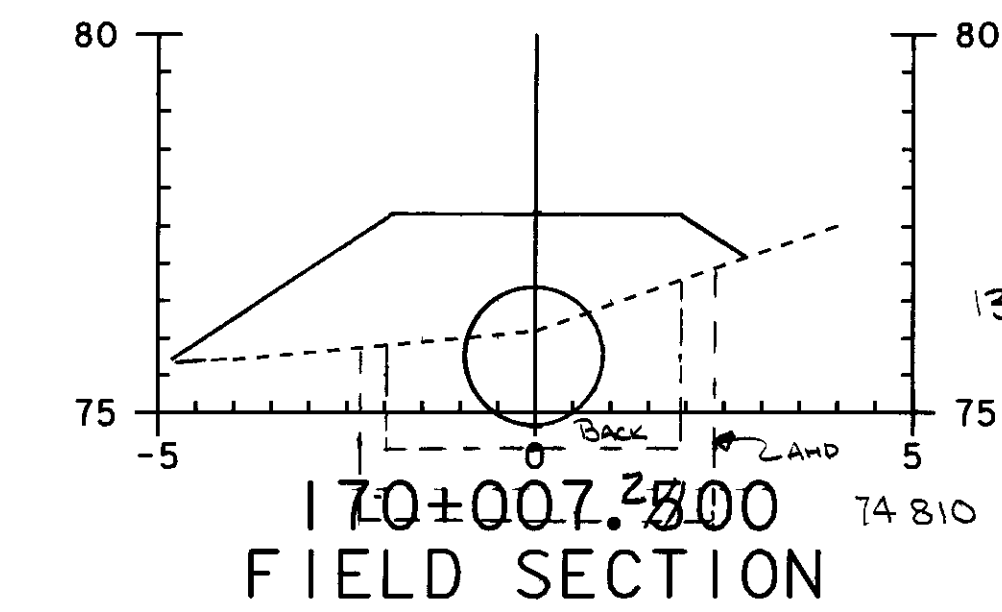
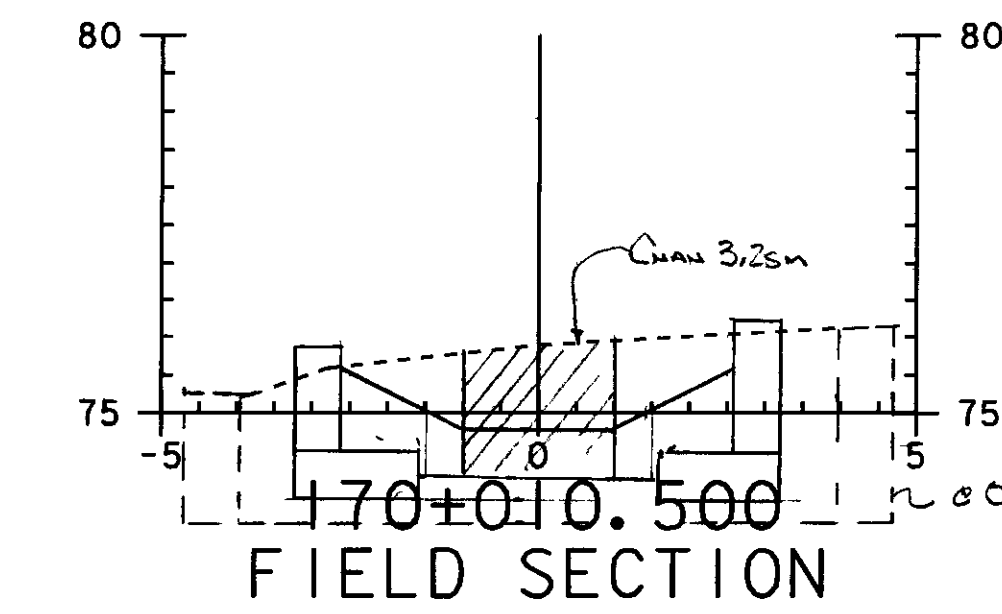
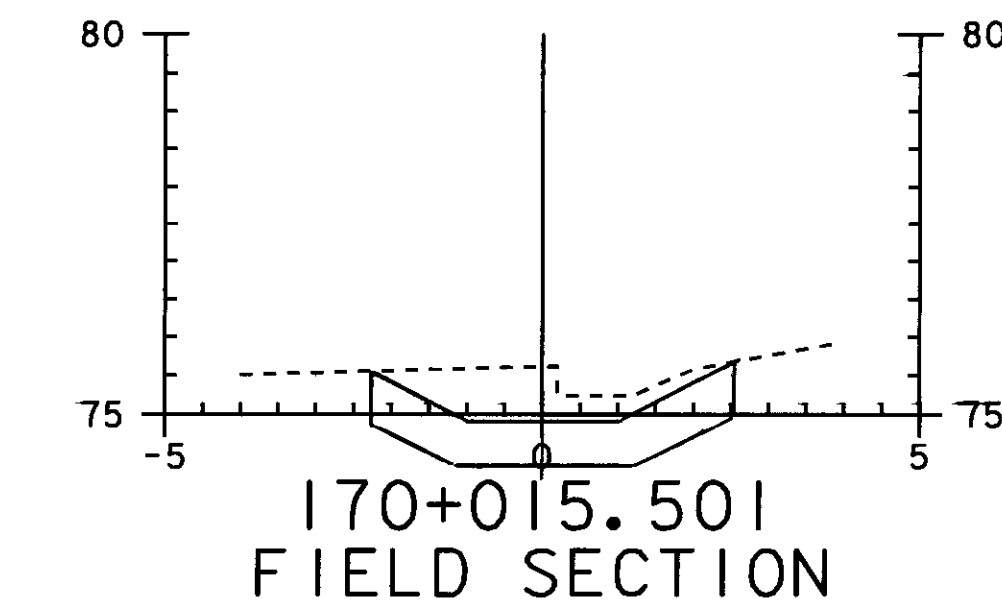
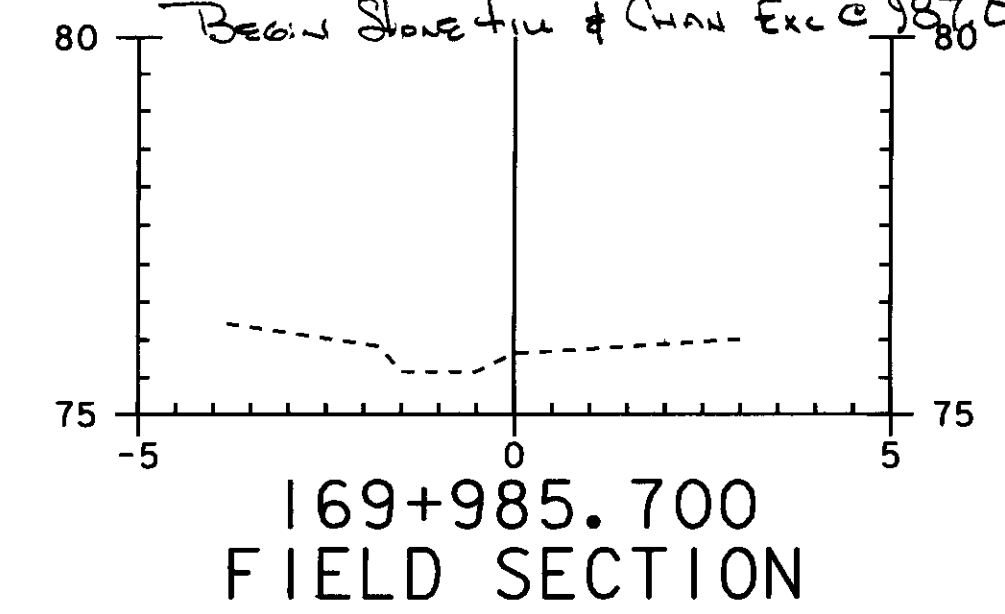
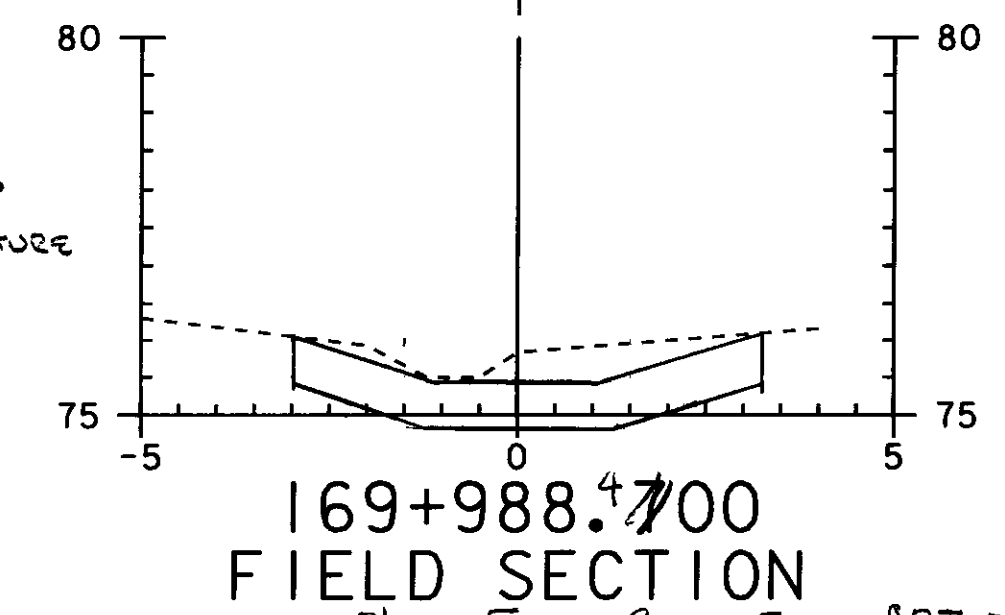
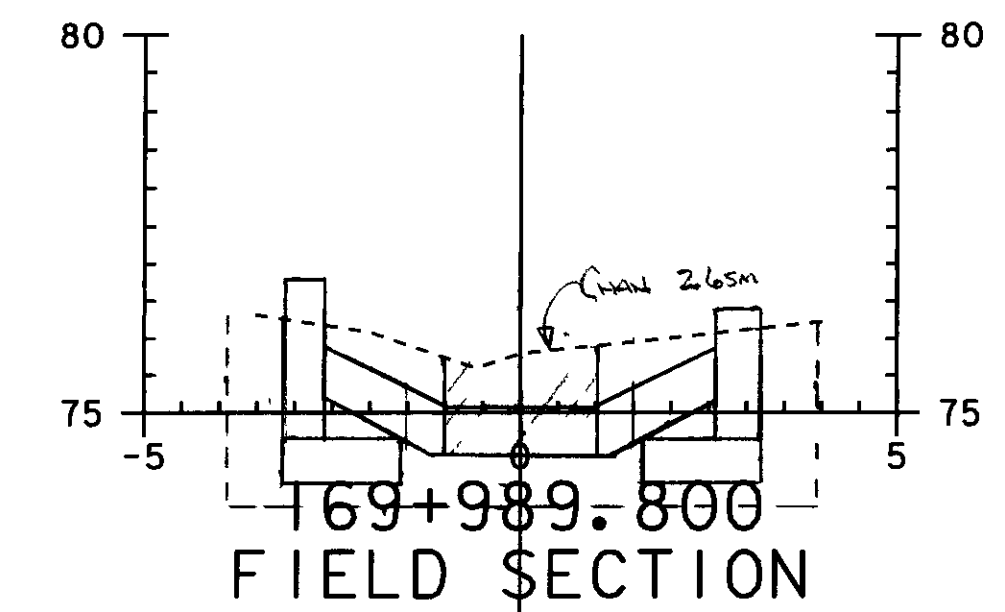
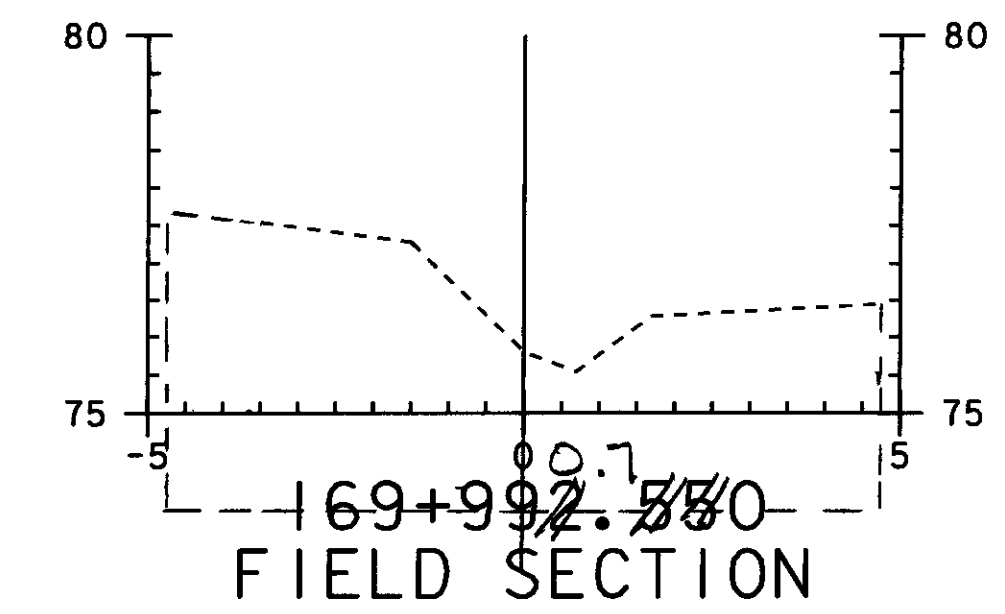
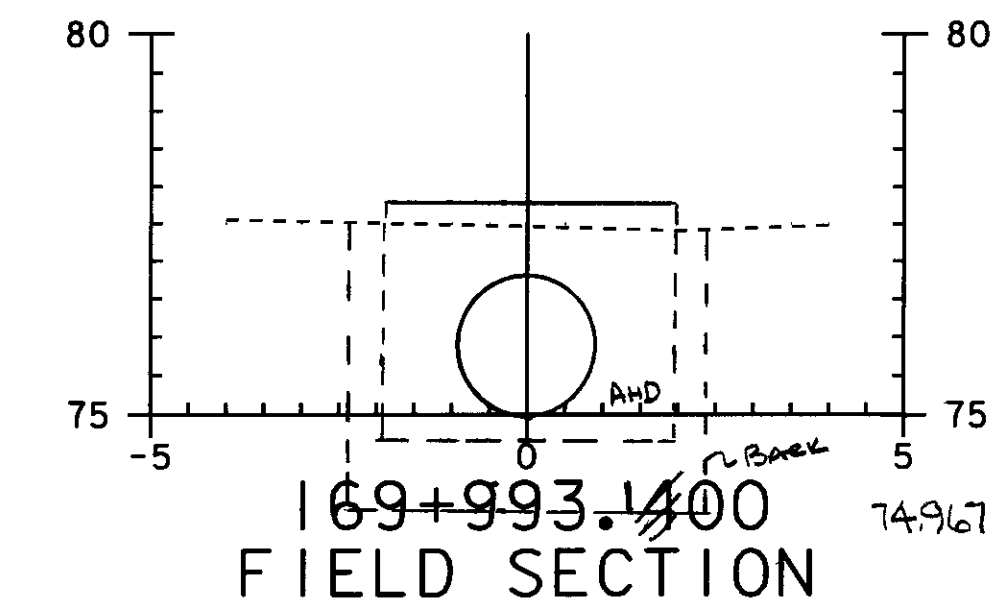
Station	Dist	Area SM	Vol CM
169+987.0	1.4	5.6	7.8
169+988.4	1.4	5.6	5.7
169+989.8	2.6	2.6	
170+010.5	1.4	2.0	4.1
170+011.9	3.6	3.8	15.5
170+015.5	3.5	4.8	16.8
170+019.0		4.8	49.9 cm

30.5
1-25-7

STRUCTURE EXCAVATION

Station	Dist	Area SM	Vol CM
169+988.4	1.4	0	12.0
169+989.8	0.9	17.2	20.5
169+990.7	2.4	28.3	55.6
169+993.1 (Back)		18.0	
169+993.1 (AND)	6.9	11.1	80.7
170+000.0	4.4	12.3	51.5
170+004.4	2.8	11.1	24.5
170+007.2 (Back)		6.4	
170+007.2 (AND)	2.4	12.7	40.7
170+009.6	0.9	21.2	17.5
170+010.5	1.4	17.6	12.3
170+011.9		0	315.3 cm

WRF 1-25-7



GEOTEXTILE UNDER Stone Fill, TYPE II

Stone Fill TYPE II

Station	Dist	Length SM	SM
169+987.0	1.4	7.7	10.8
+988.4	1.4	7.7	10.2
+989.8	1.2	6.9	6.8
+991.0		4.4	
170+009.3	1.2	4.4	6.8
+010.5	5	7.0	33.5
+015.5	3.5	6.4	22.4
+019		6.4	90.5

45.4 cm
30.5
1-25-7

Station	Dist	Length SM	SM
169+987.0	1.4	4.1	5.7
169+988.4	1.4	4.1	5.5
169+989.8	1.2	3.7	3.3
169+991.0		1.8	
170+009.3	1.2	1.8	3.4
170+010.5	5	3.8	17.0
170+015.5	3.5	3.0	10.5
170+019.0		3.0	45.4 cm

30.5
1-25-7

GRANULAR BACKFILL FOR STRUCTURES

Station	Dist	Area SM	Vol CM
169+993.1	6.9	11.1	76.6
170+000	4.4	11.1	48.8
+004.4	2.8	11.1	34.6
+007.2		13.6	
HEADWALL #2			35.6

HEADWALL #1 QUANTITY FROM BRIDGE SM # 235 - 35.6 cm
231.2 cm

WRF 01-09-07
JWS 1-25-7

ZERO STRUCTURE Exc