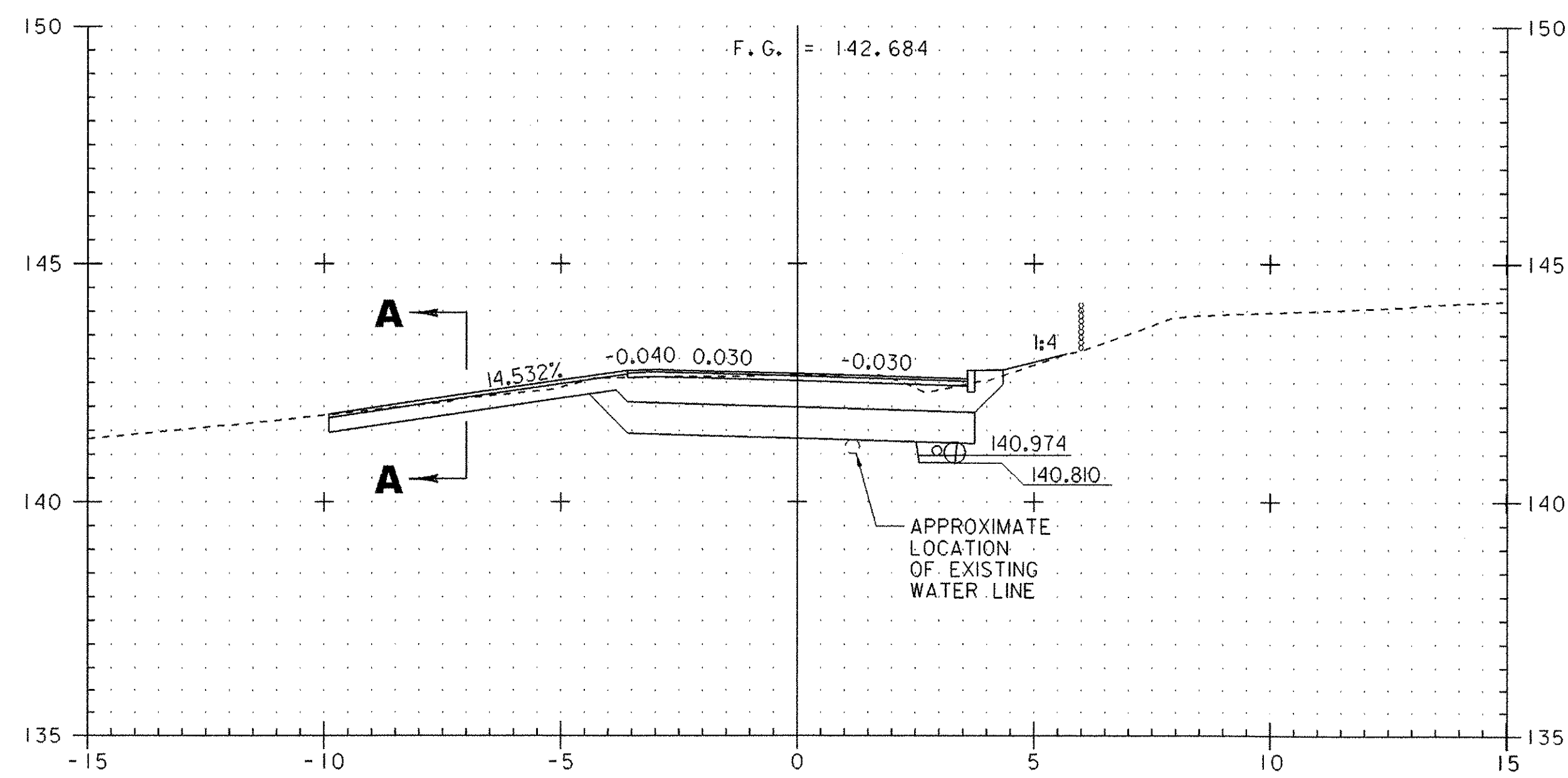
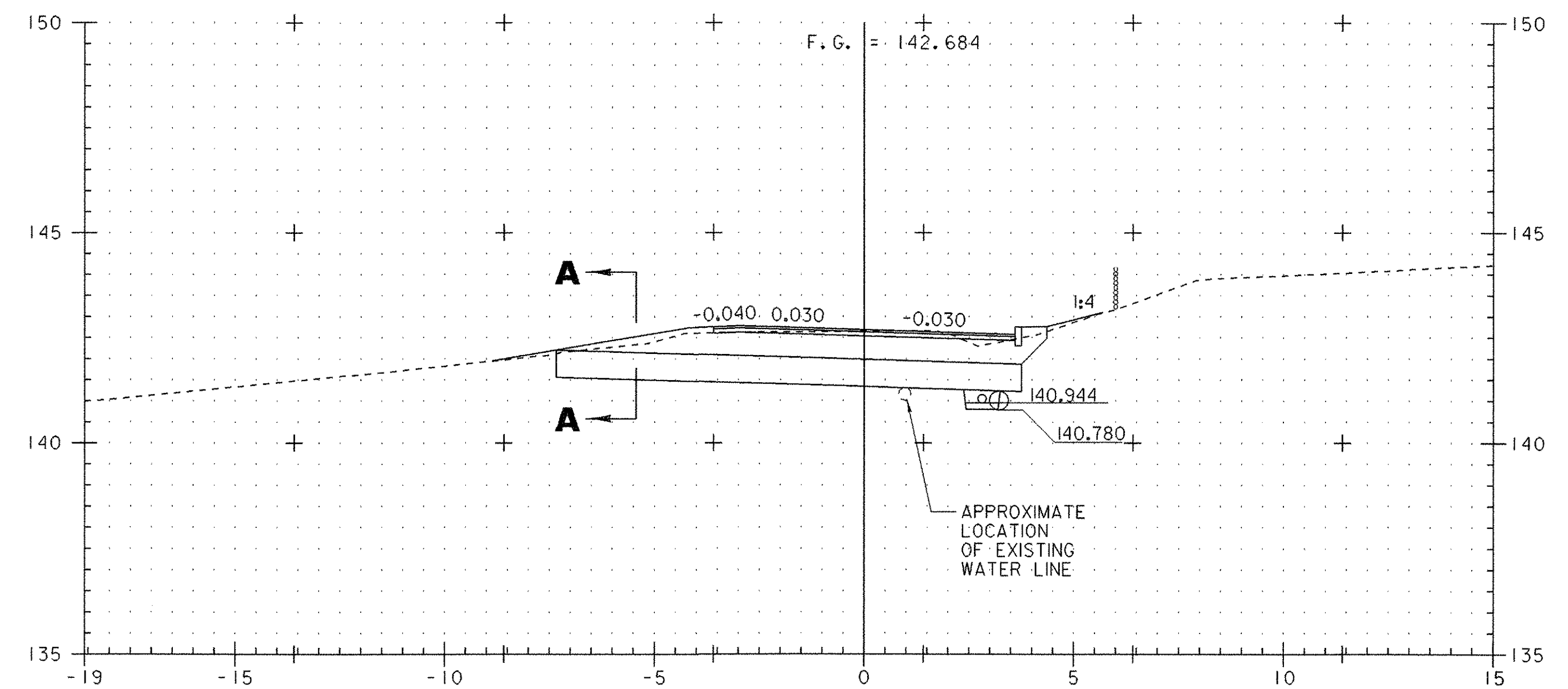


SECTION A- A  
DRIVE @ ah 15+028 LT



ah 15+028



ah 15+034  
END PROJECT  
STP RS 0301 (I) SA  
BEGIN PROJECT  
STP 0301 (18)



PROJECT NAME:	HIGHGATE - FRANKLIN
PROJECT NUMBER:	STP RS 0301(I) SA
FILE NAME: ...85c060\design\dc060xli.dgn	PLOT DATE: 09-MAY-2005
PROJECT LEADER: DELLASANTA	DRAWN BY: SQUAD B
DESIGNED BY: SQUAD B	CHECKED BY: SQUAD B
IPARM FILE NAME: dc060xli26.i	SHEET 450 OF 450