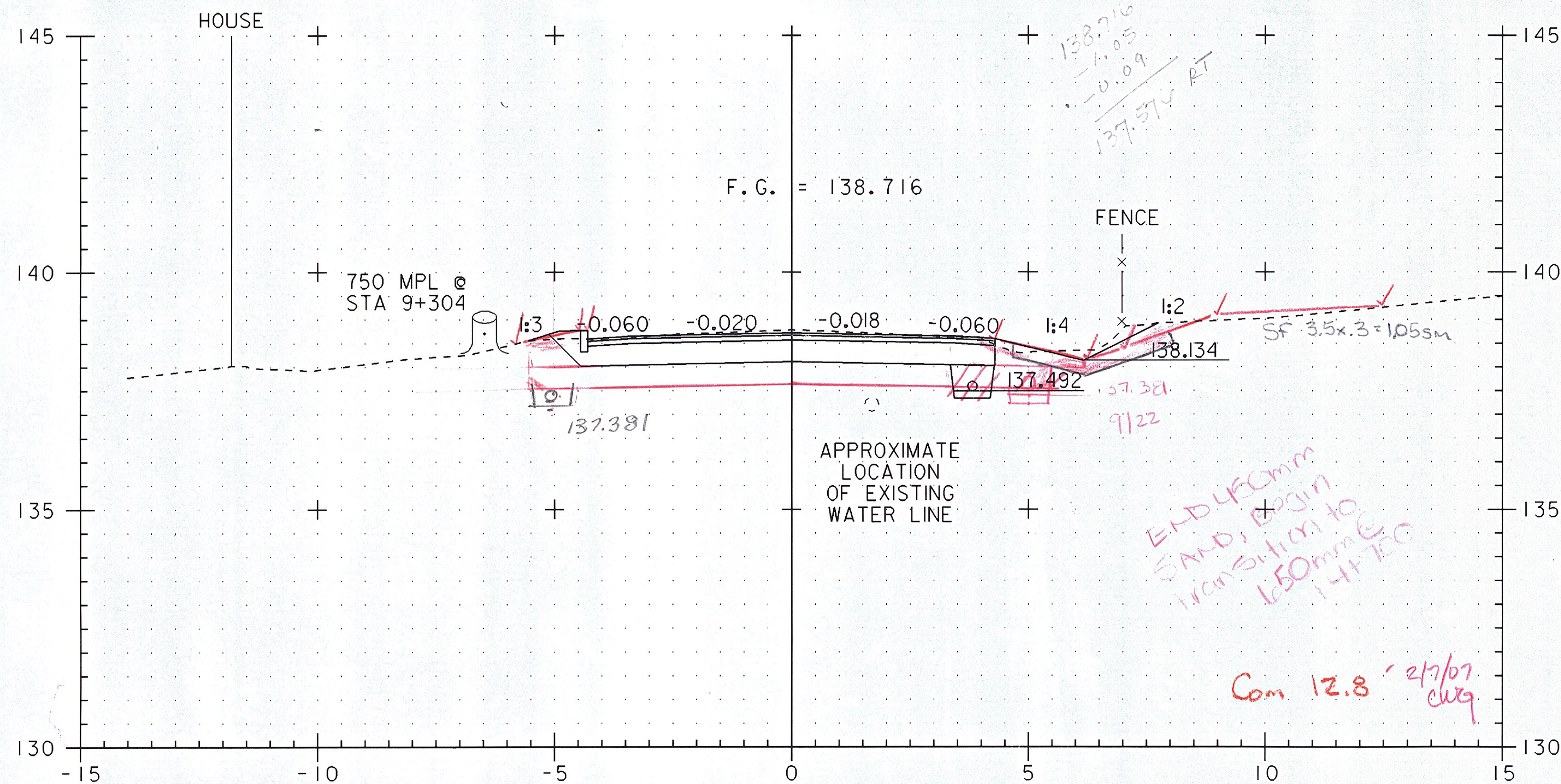


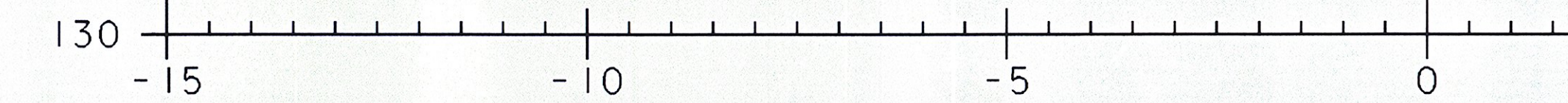
ah 14+660

POE Sta 9+306.288 =  
 POB Sta 14+650.000  
 EQ = +5343.712

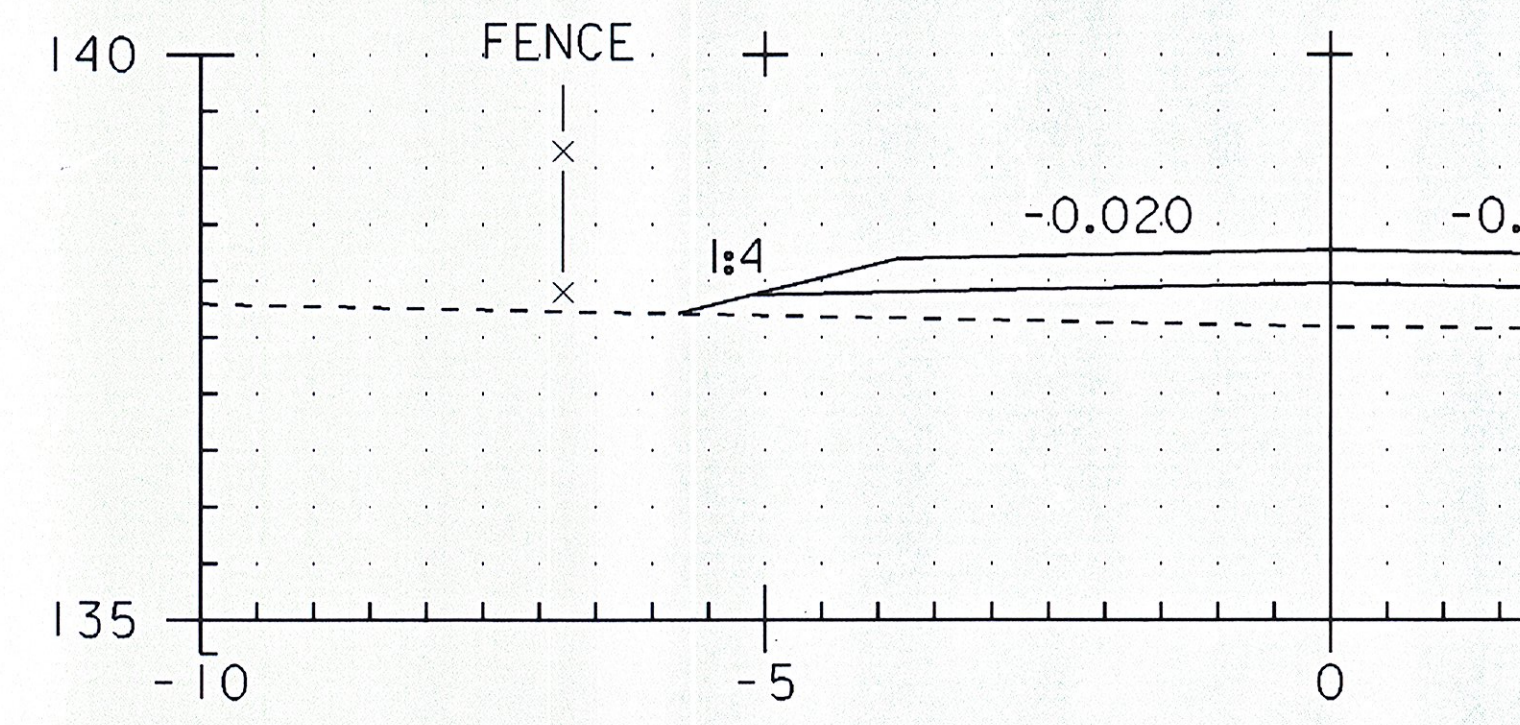
*STA 9+300.000 BEGIN SAND TAPER*



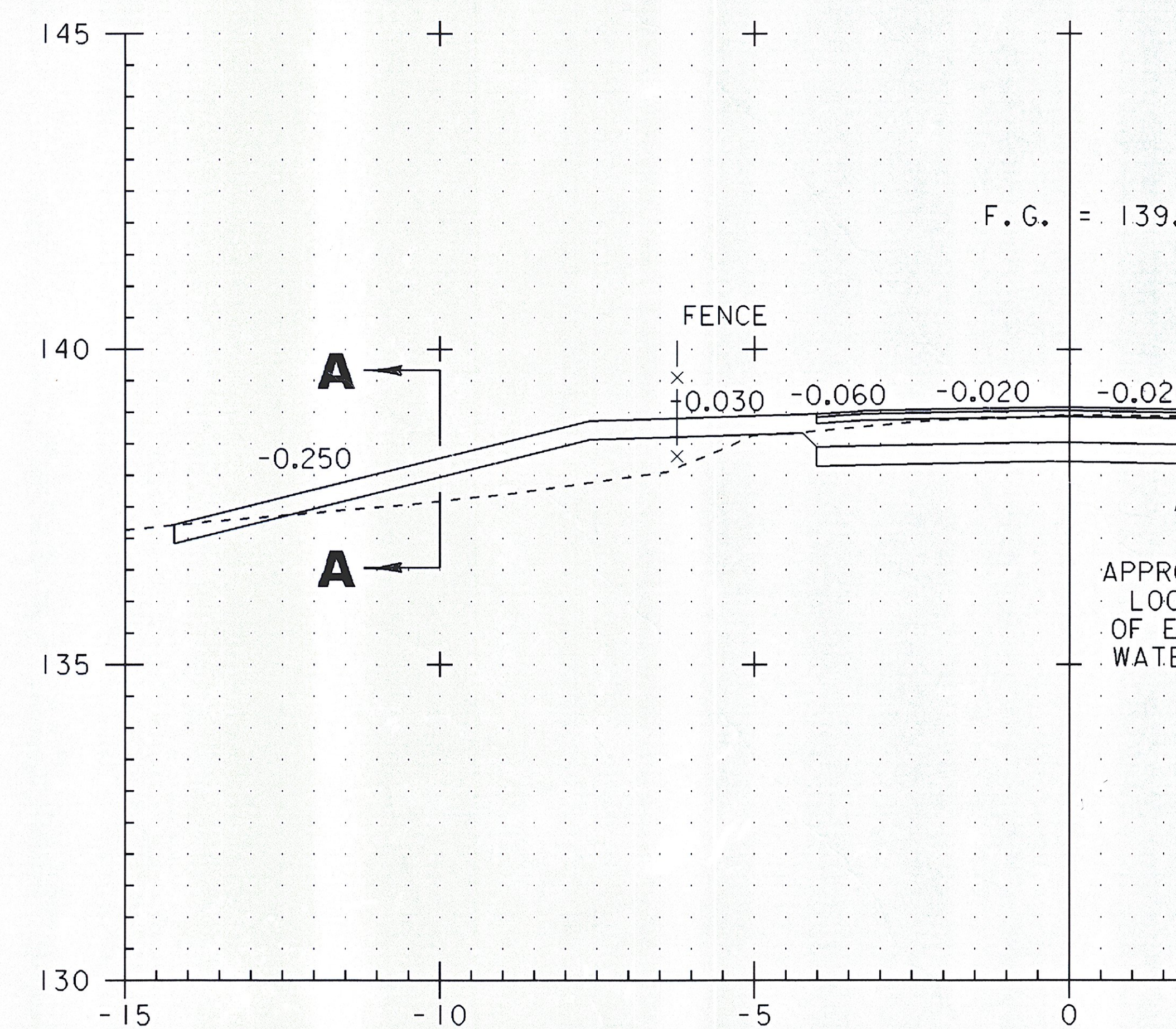
9+300



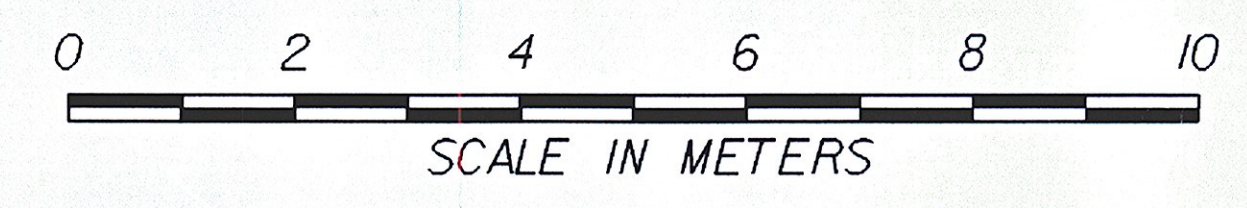
ah 14+68



DRIVE AT 14+  
A - A



ah 14+67



*END 450mm SAND, BEGIN transition to 150mm @ 14+650  
 Com 12.8' 2/7/07  
 CLK*