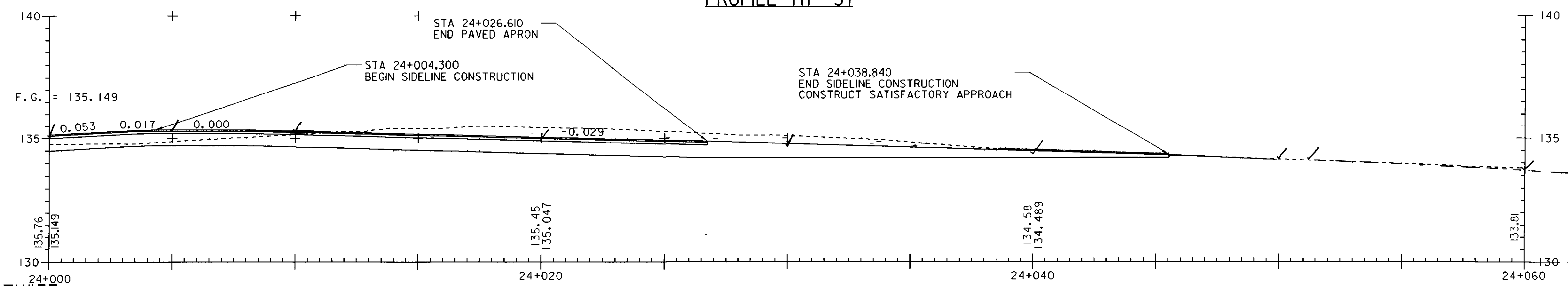
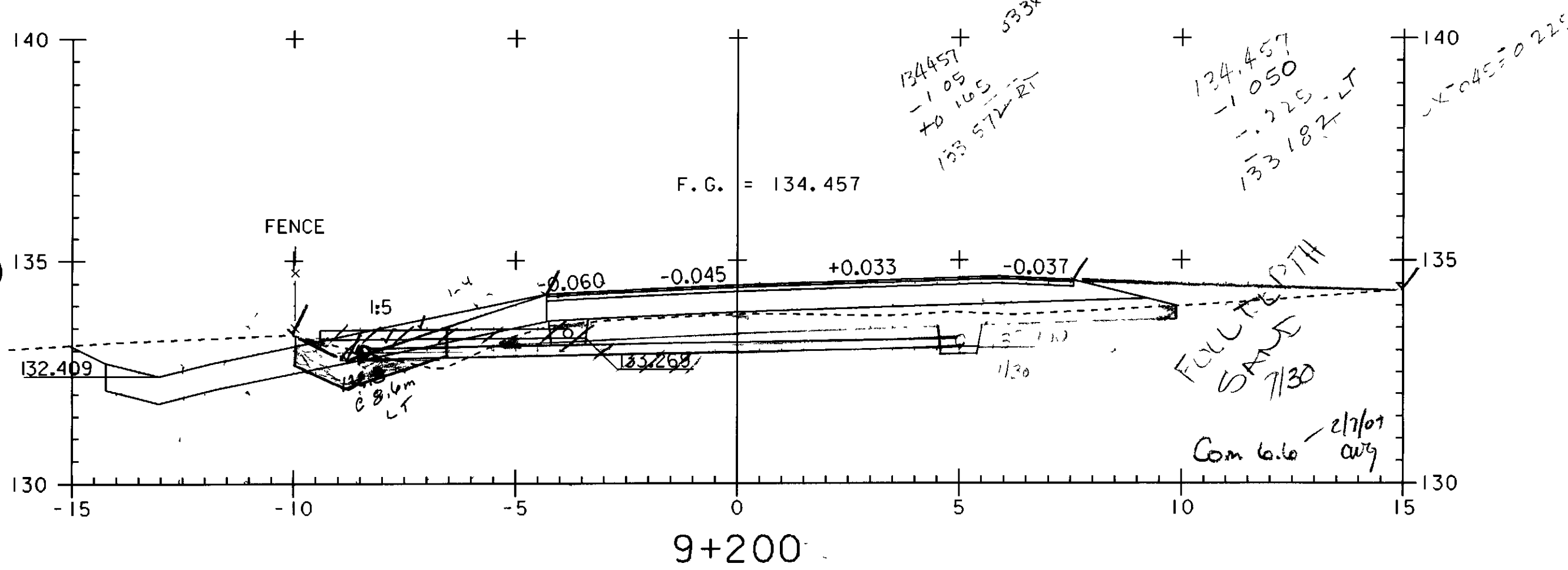


**PROFILE TH #37**



TH#3  
9+209.030 = 24+000



STA 9+300.000 END TAPER  
STA 9+197.200 END FULL DEPTH SAND (450MM) BEGIN TAPER



PROJECT NAME:	HIGHGATE - FRANKLIN	PLOT DATE:	09-MAY-2005
PROJECT NUMBER:	STP RS 030(K) SA	DRAWN BY:	SQUAD B
FILE NAME:	...85c060\design\dc060x11.dgn	CHECKED BY:	SQUAD B
PROJECT LEADER:	DELLASANTA	SHEET	433 OF 450
DESIGNED BY:	SQUAD B		
IPARM FILE NAME:	dc060x119.i		