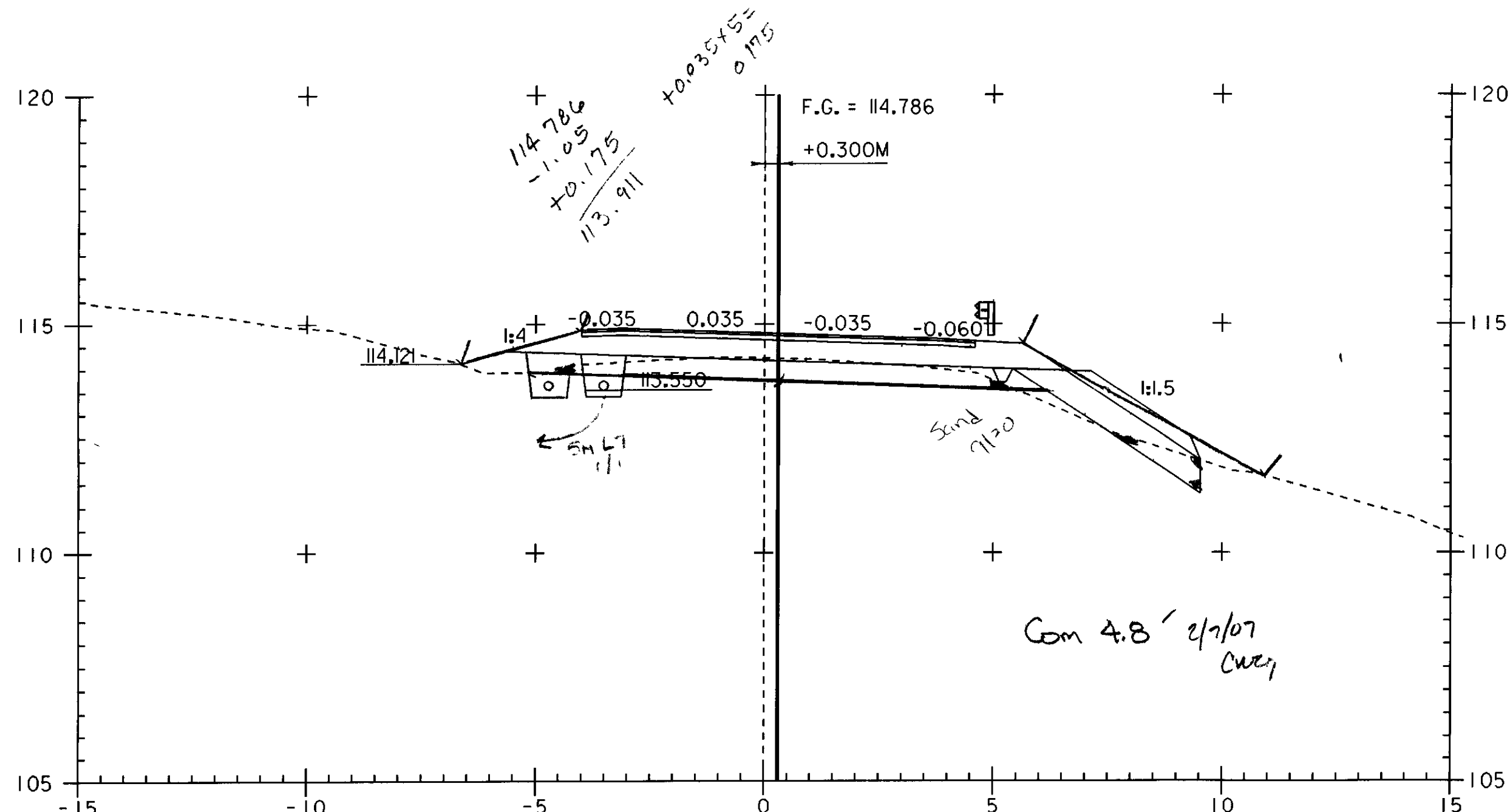
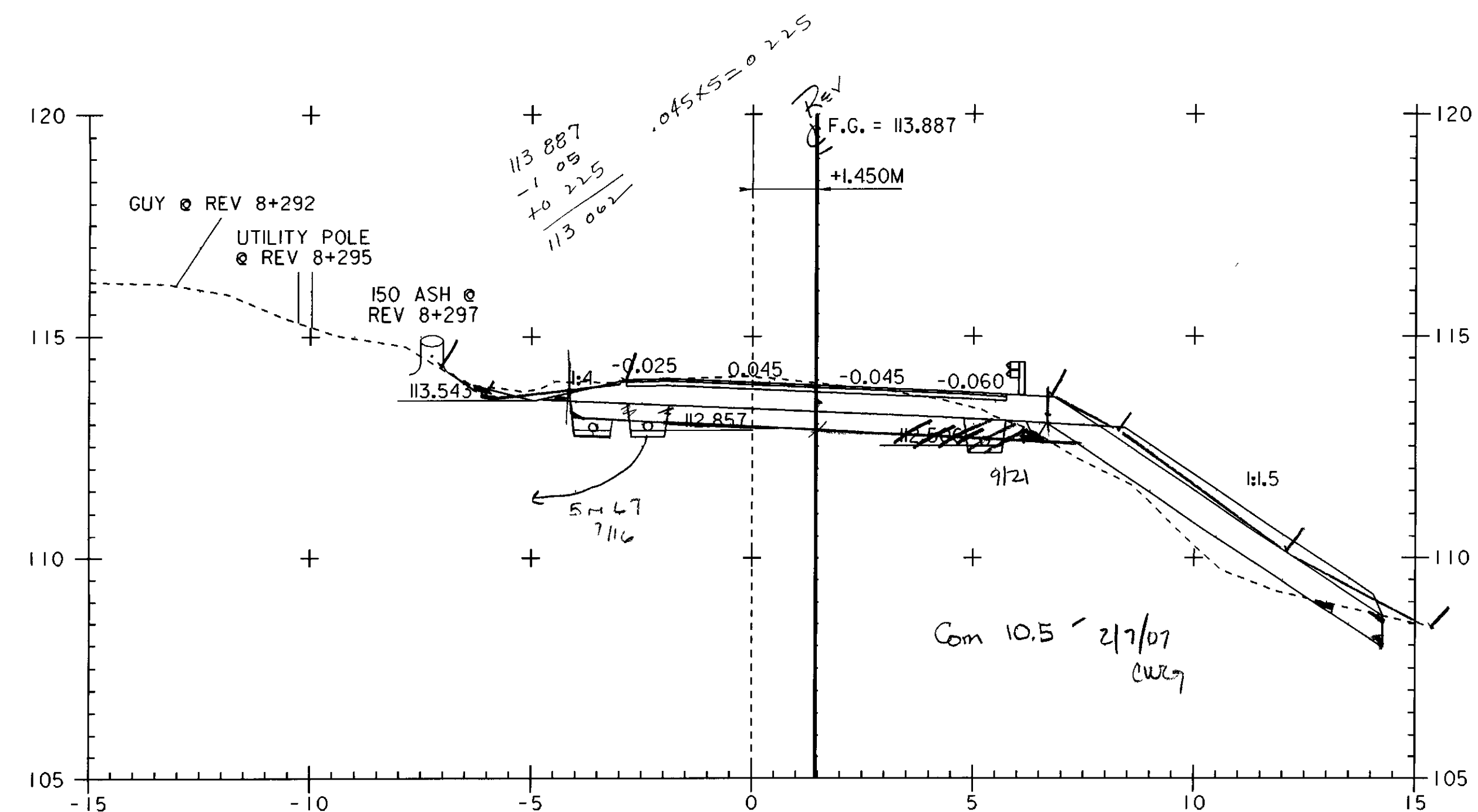


8+280 =
REV 8+280.010

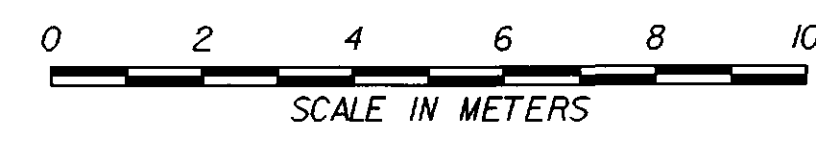


8+260 = 5
REV 8+260.000



8+300 =
REV 8+299.950

Sta POT 8+254.726 =
REV PC Sta 8+254.730
EQ = -0.004



PROJECT NAME:	HIGHGATE - FRANKLIN	FILE NAME:	...85c060\design\dc060x10.dgn	PLOT DATE:	09-MAY-2005
PROJECT NUMBER:	STP RS 030(I) SA	PROJECT LEADER:	DELLASANTA	DRAWN BY:	SQUAD B
		DESIGNED BY:	SQUAD B	CHECKED BY:	SQUAD B
		IPARM FILE NAME:	dc060x1001.i	SHEET	415 OF 450