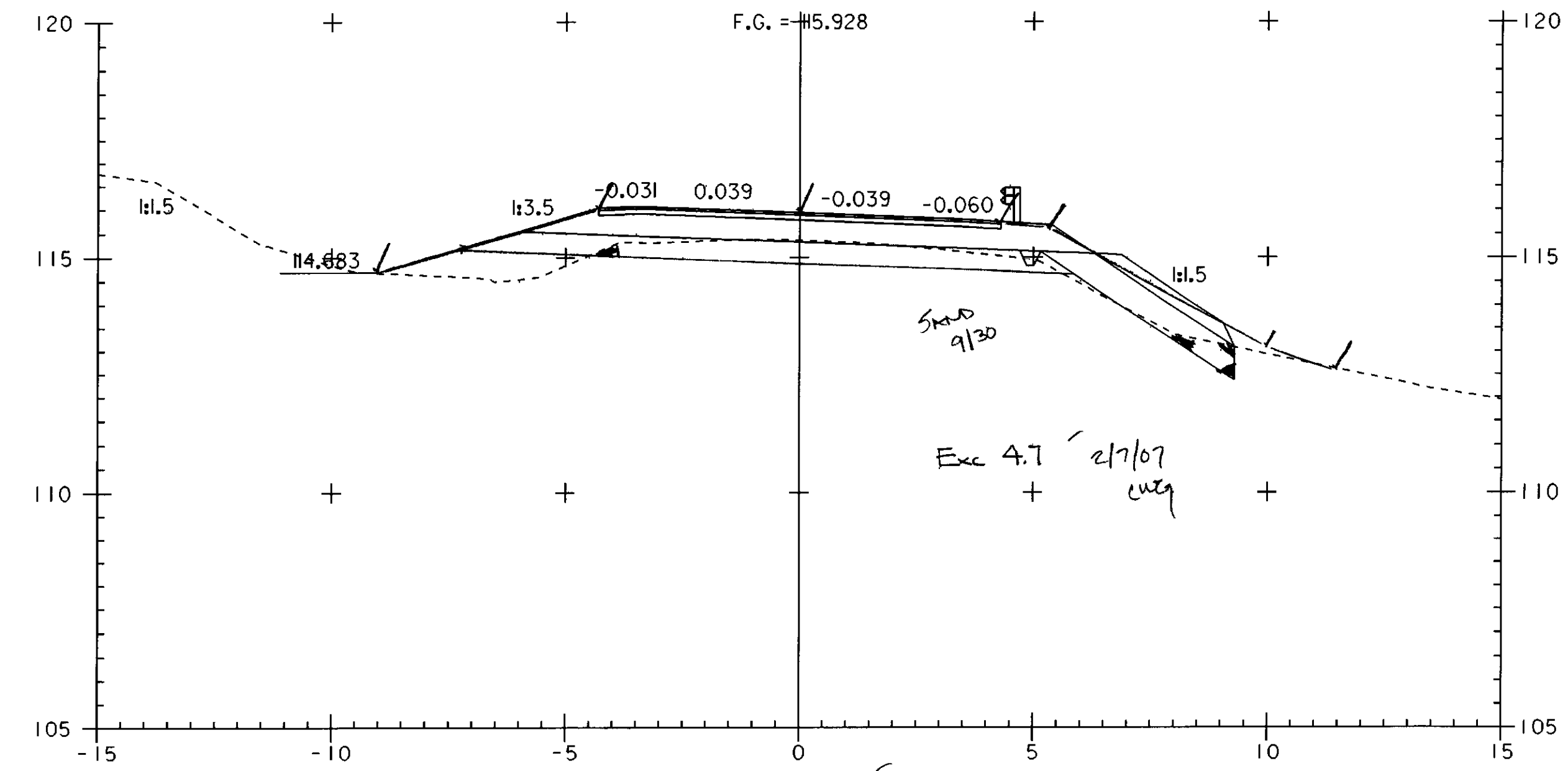
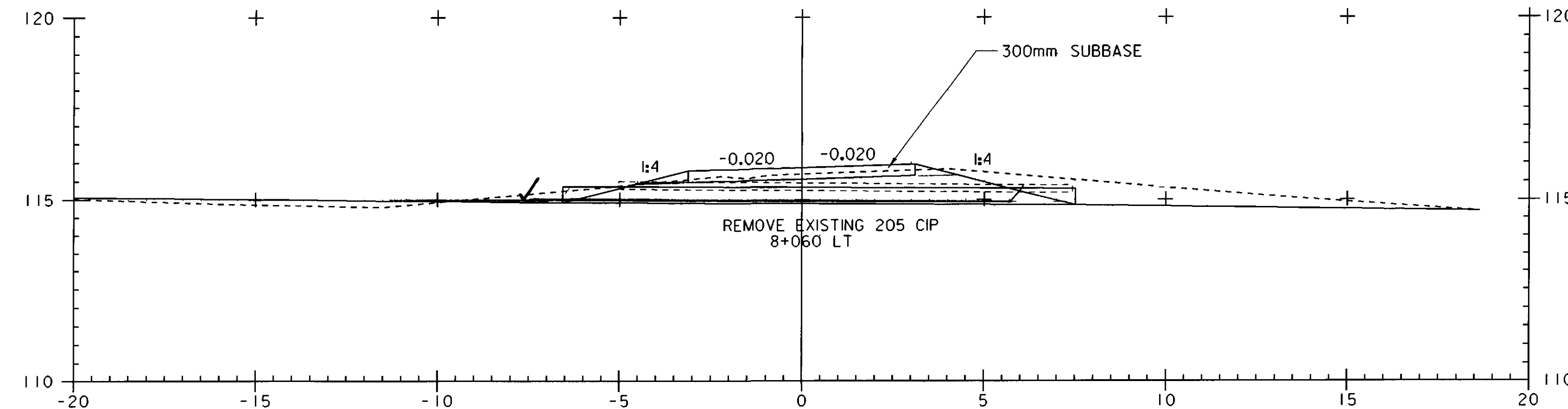


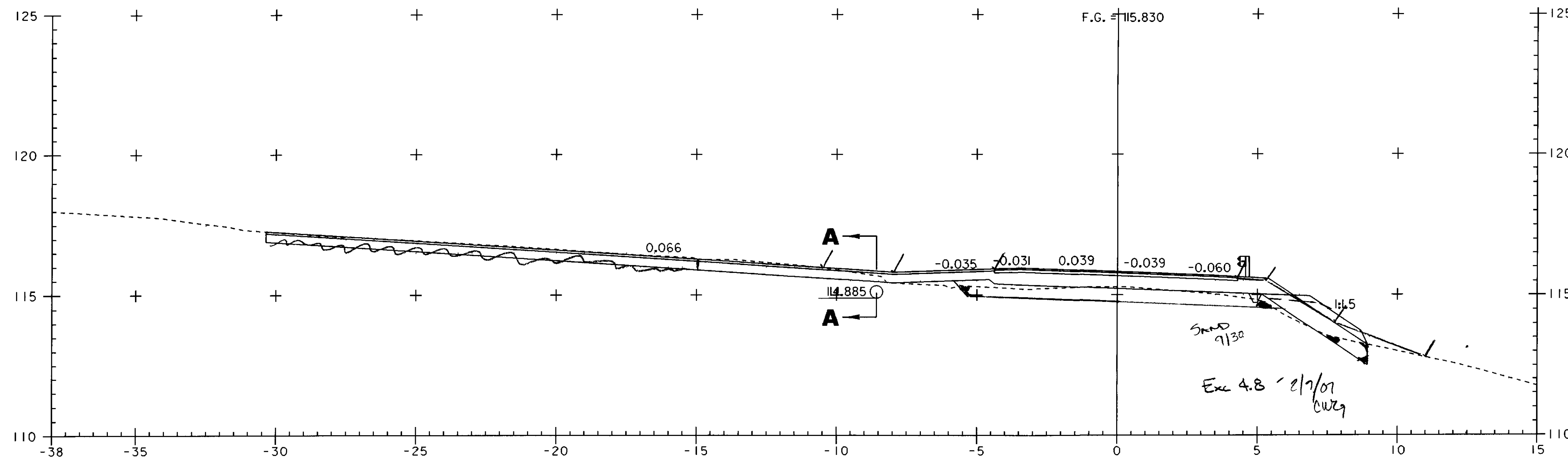
8+070



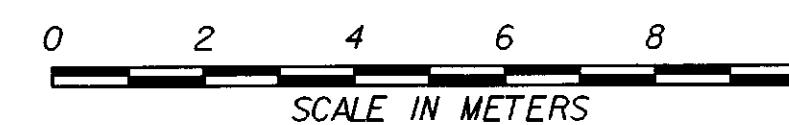
8+080<sup>S</sup>



DRIVE AT 8+060 LT  
SECTION A - A



8+060<sup>S</sup>



PROJECT NAME:	HIGHGATE - FRANKLIN	PLOT DATE:	09-MAY-2005
PROJECT NUMBER:	STP RS 030(I) SA	DRAWN BY:	SQUAD B
FILE NAME:	...85c060\design\dc060x10.dgn	CHECKED BY:	SQUAD B
PROJECT LEADER:	DELLASANTA	SHEET	411 OF 450
DESIGNED BY:	SQUAD B		
IPARM FILE NAME:	dc060x107.1		