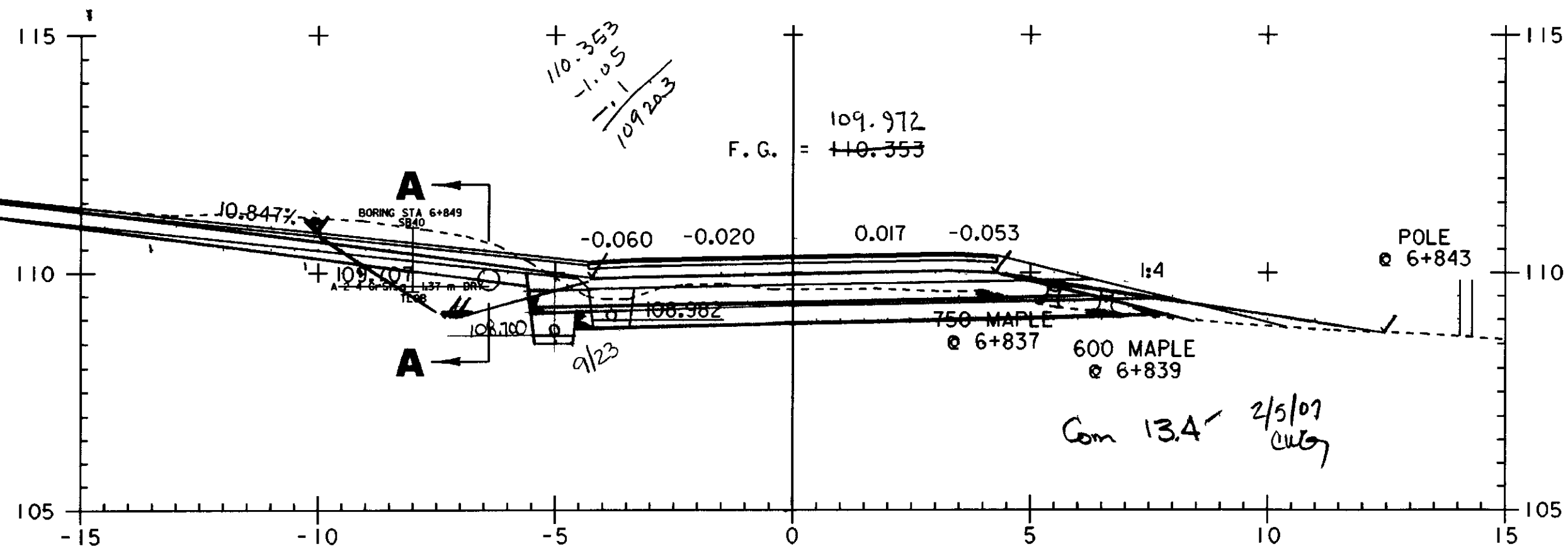
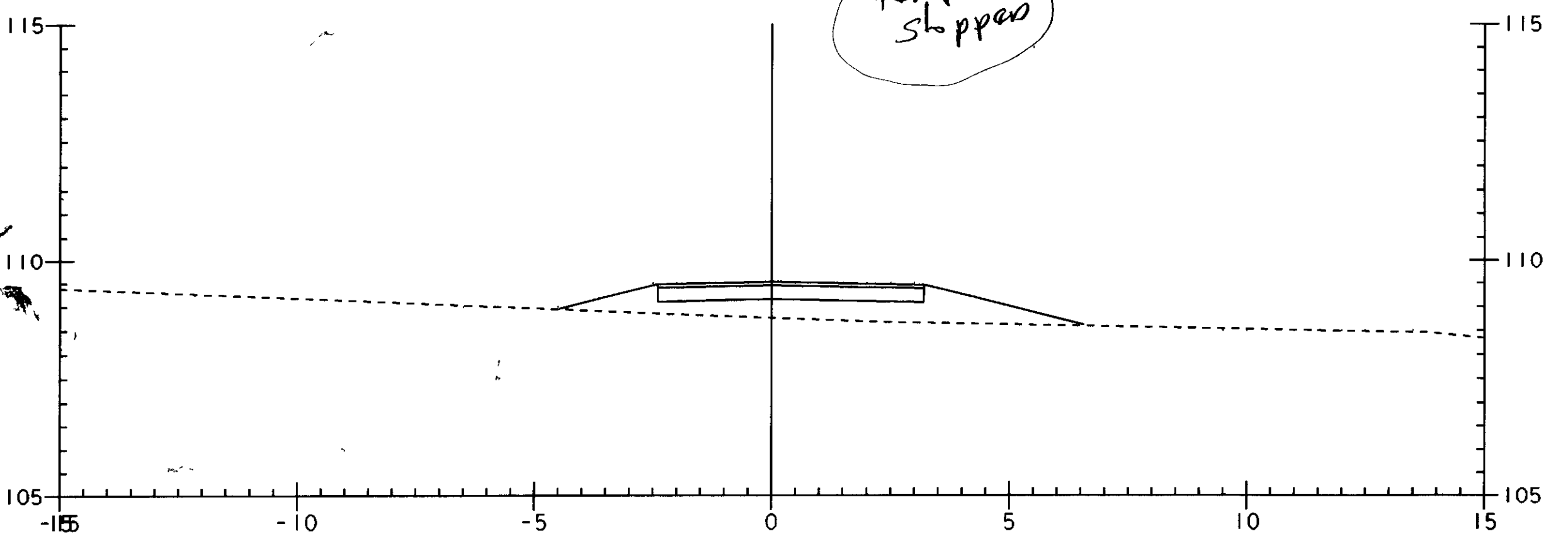


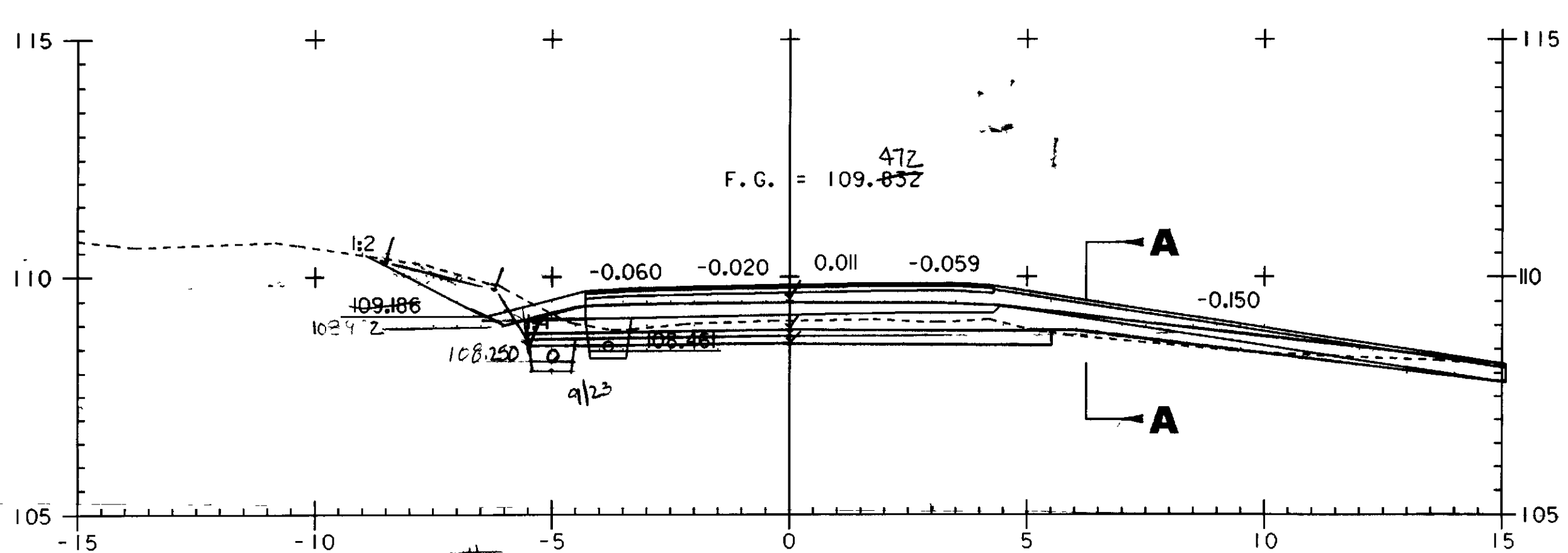
DRIVE AT 6+840 LT  
A - A



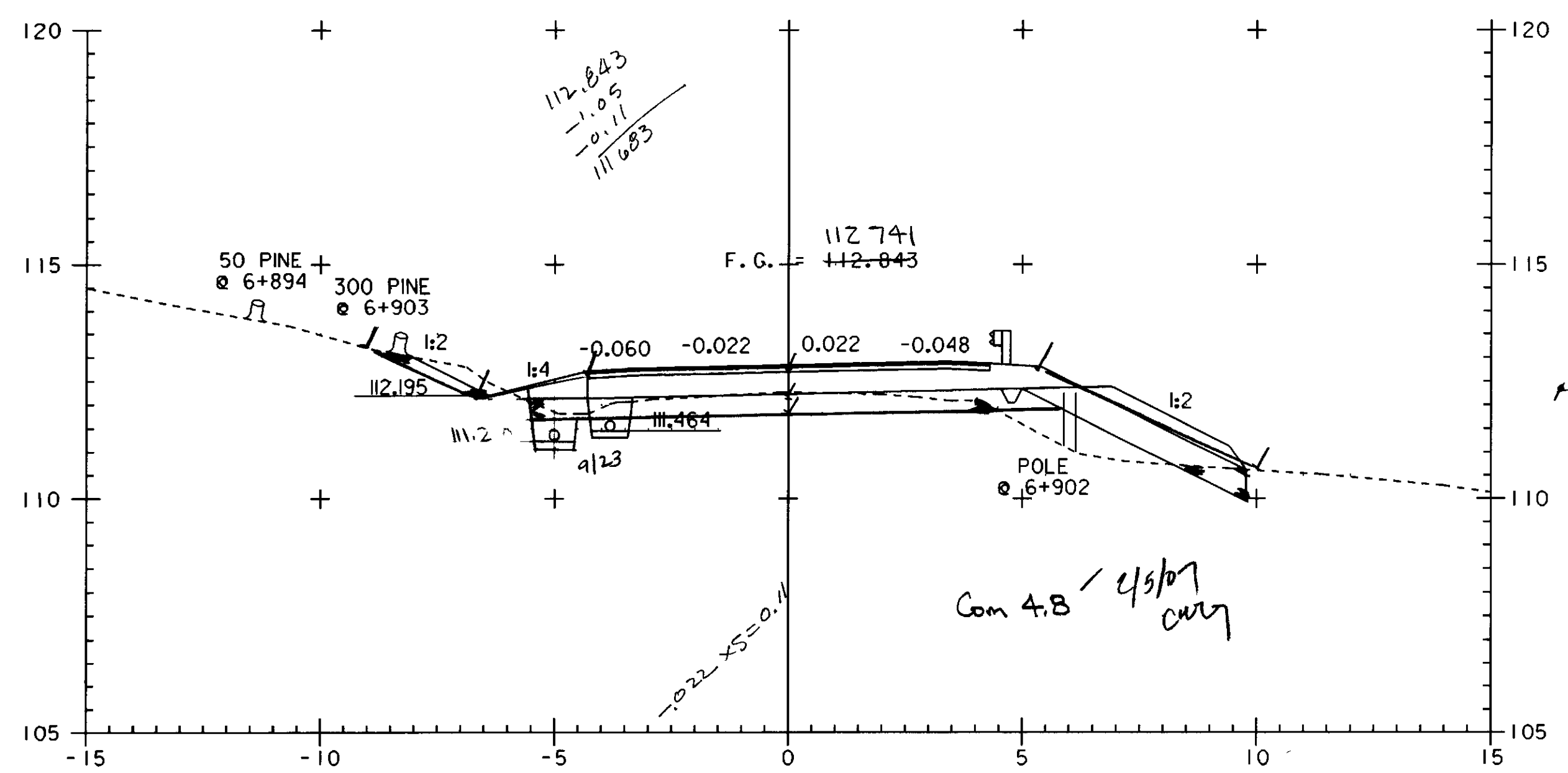
6+840  
Temp Shopped  
Zero Solid Rock



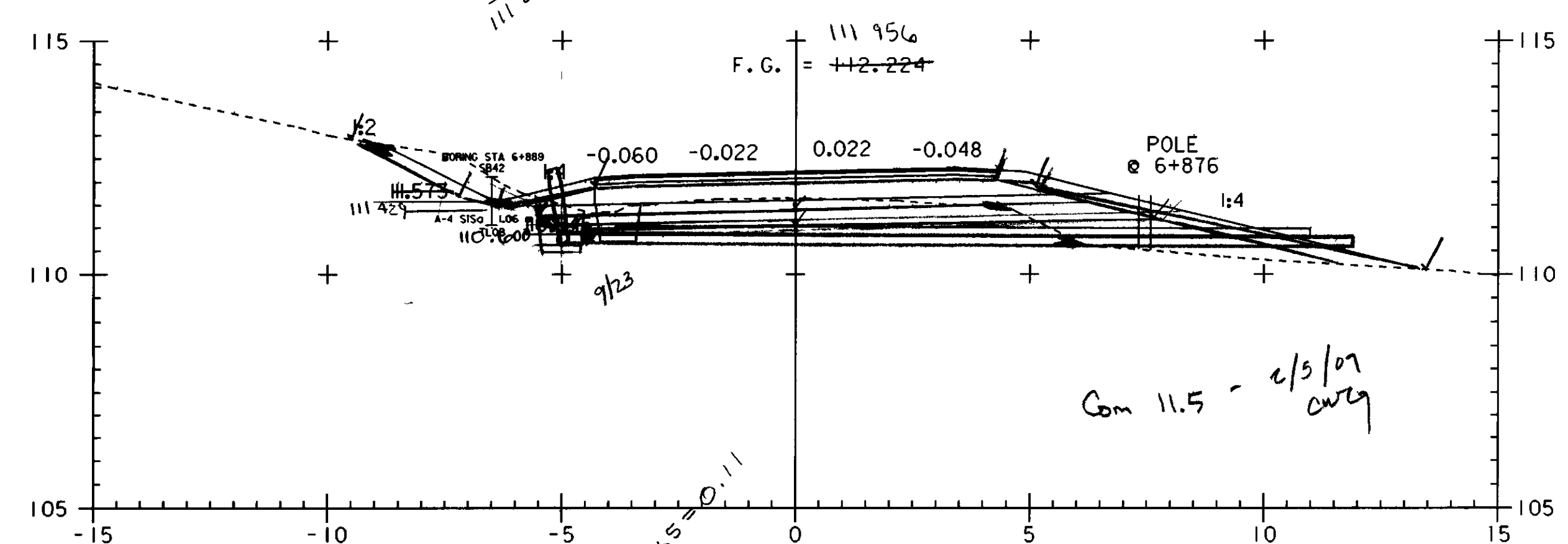
DRIVE AT 6+830 RT  
A - A



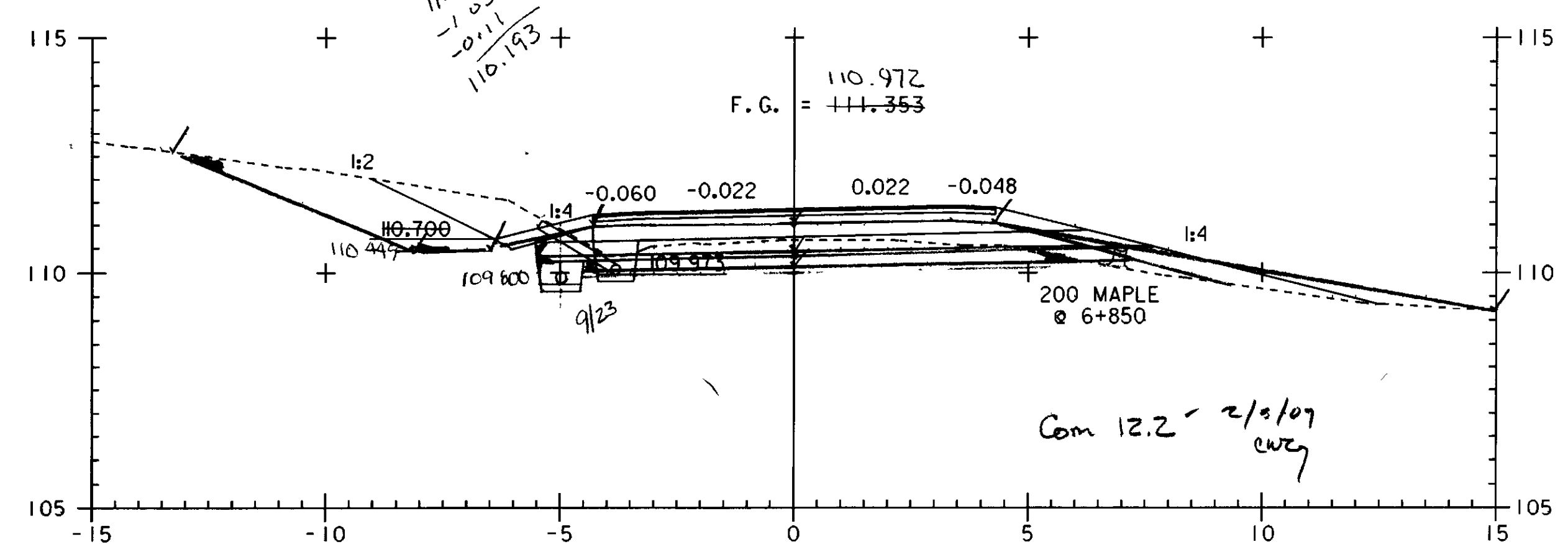
6+830



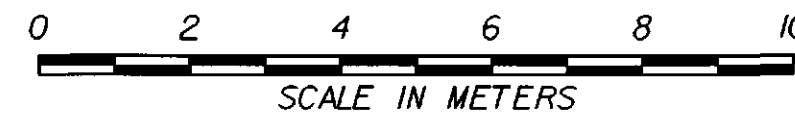
6+900  
END 300MM SAND TRANSITION TO 450MM



6+880



6+860



PROJECT NAME:	HIGHGATE - FRANKLIN
PROJECT NUMBER:	STP RS 030(I) SA
FILE NAME:	...85c060\design\dc060x09.dgn
PLOT DATE:	09-MAY-2005
PROJECT LEADER:	DELLASANTA
DRAWN BY:	SQUAD B
DESIGNED BY:	SQUAD B
CHECKED BY:	SQUAD B
IPARM FILE NAME:	dc060x094.i
SHEET	389 OF 450