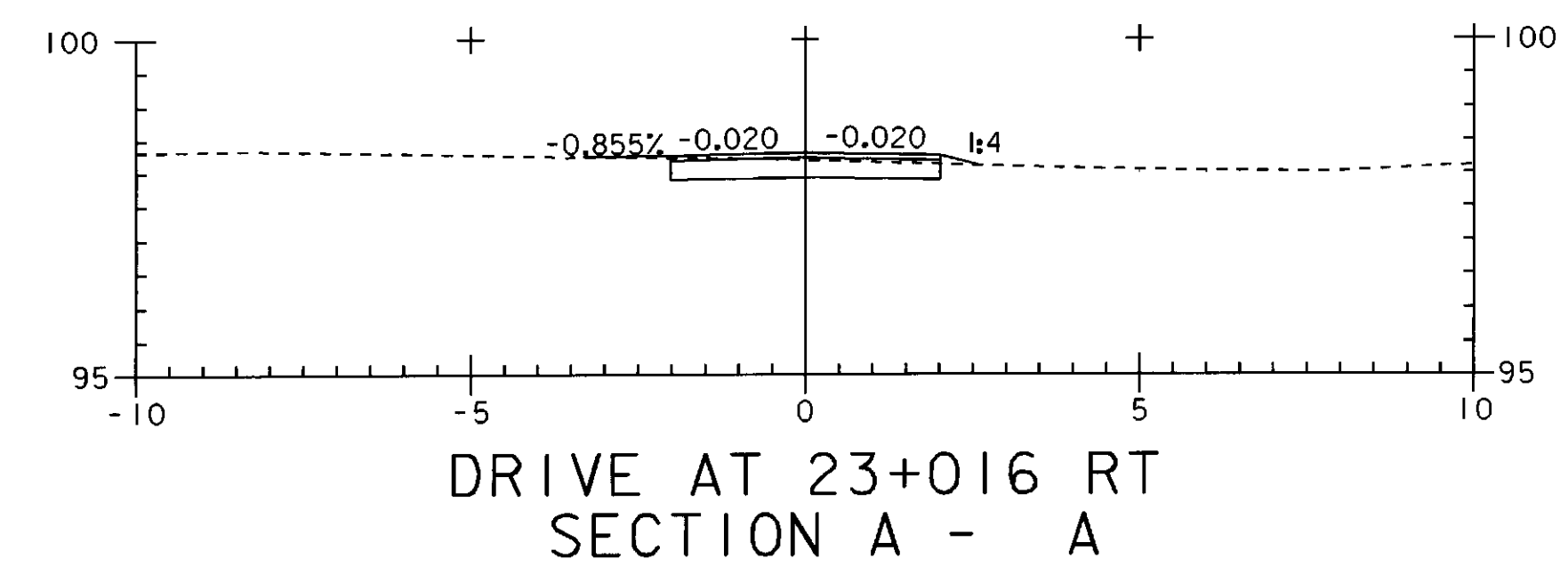
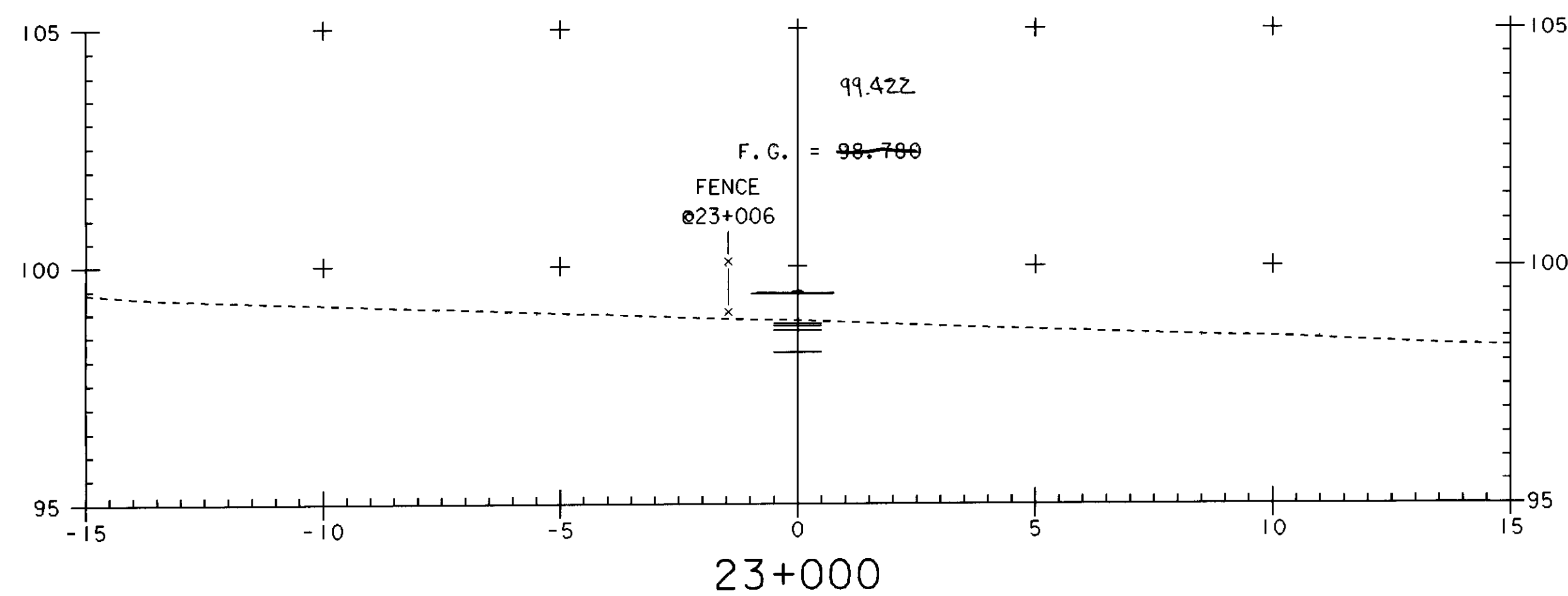
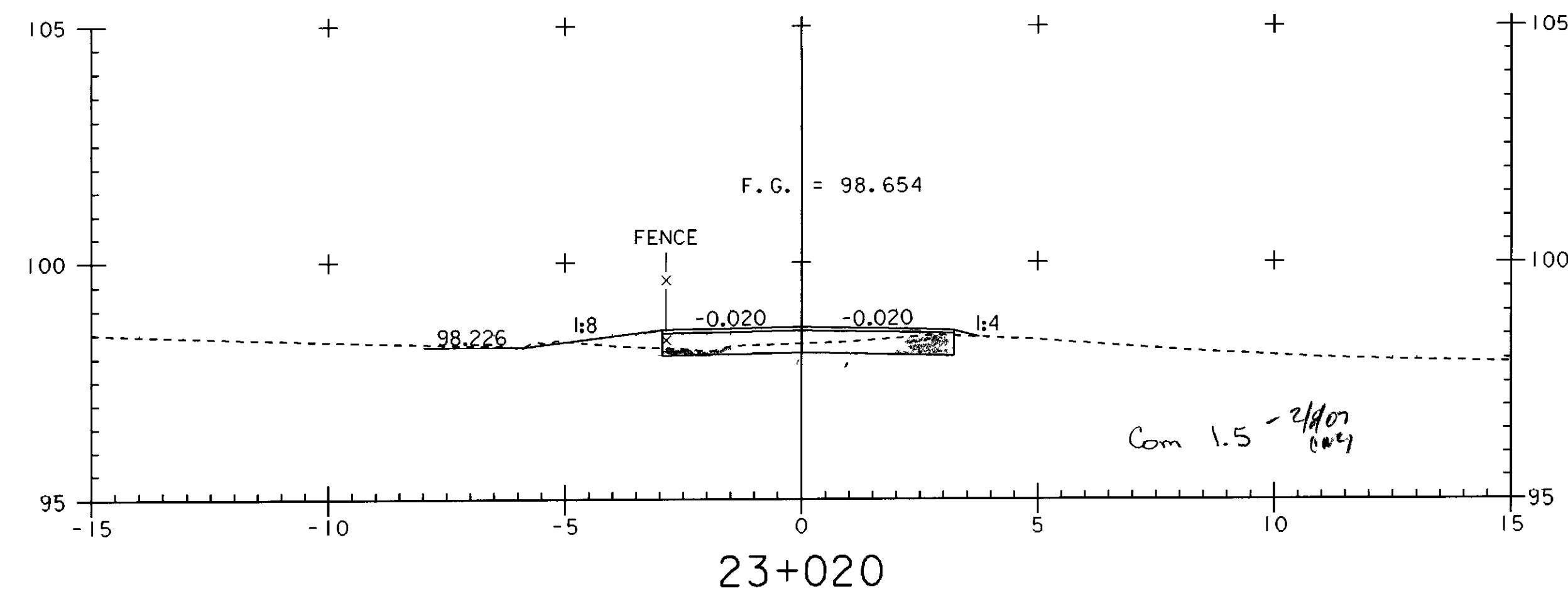
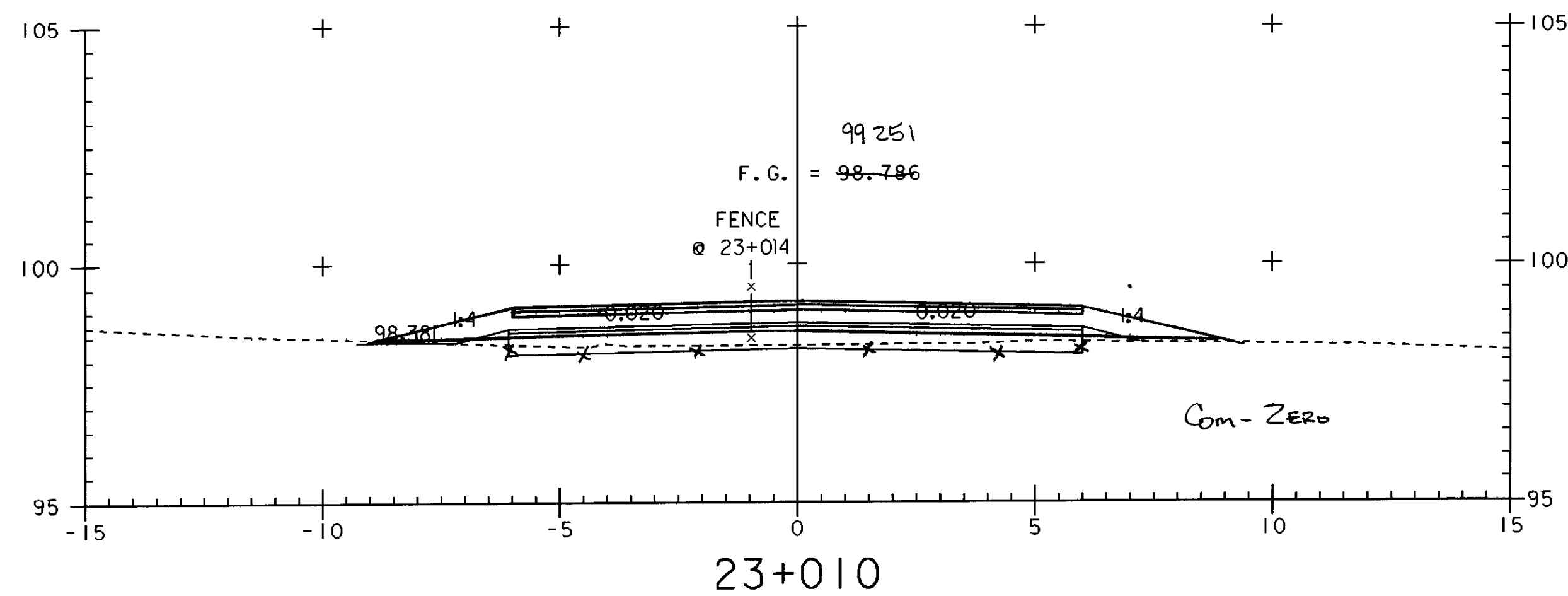
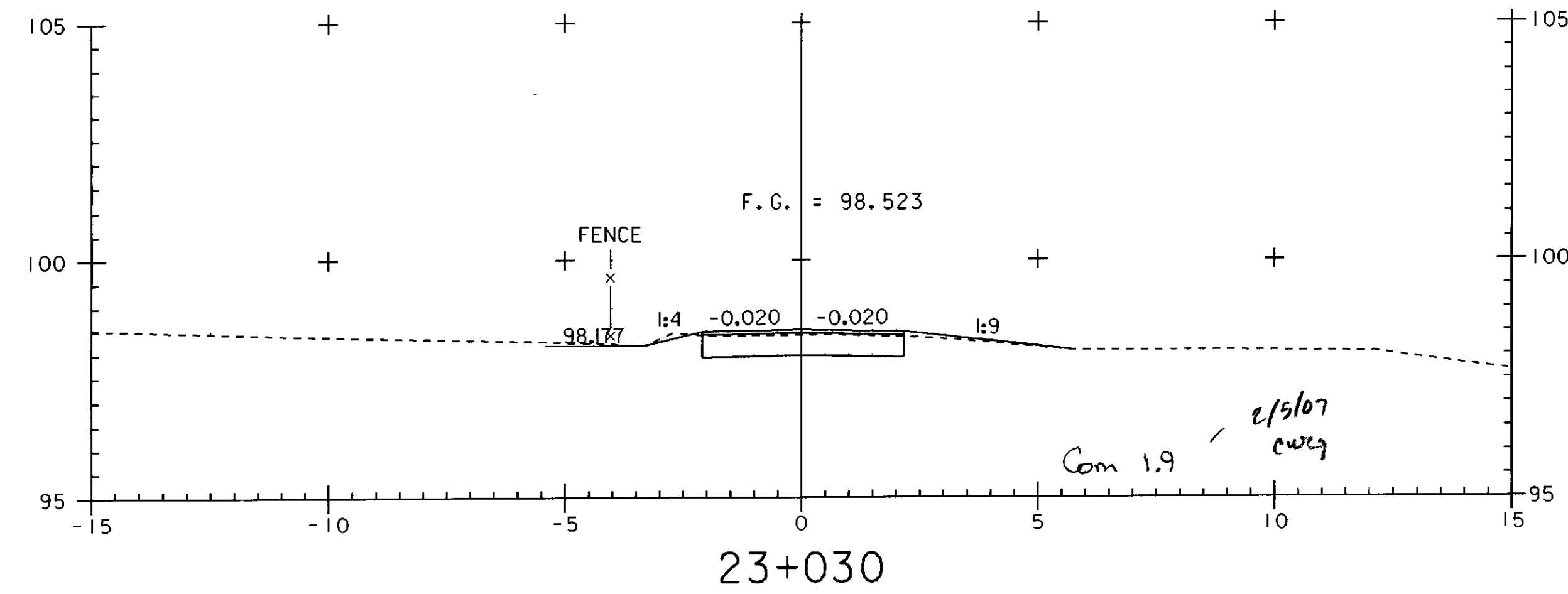
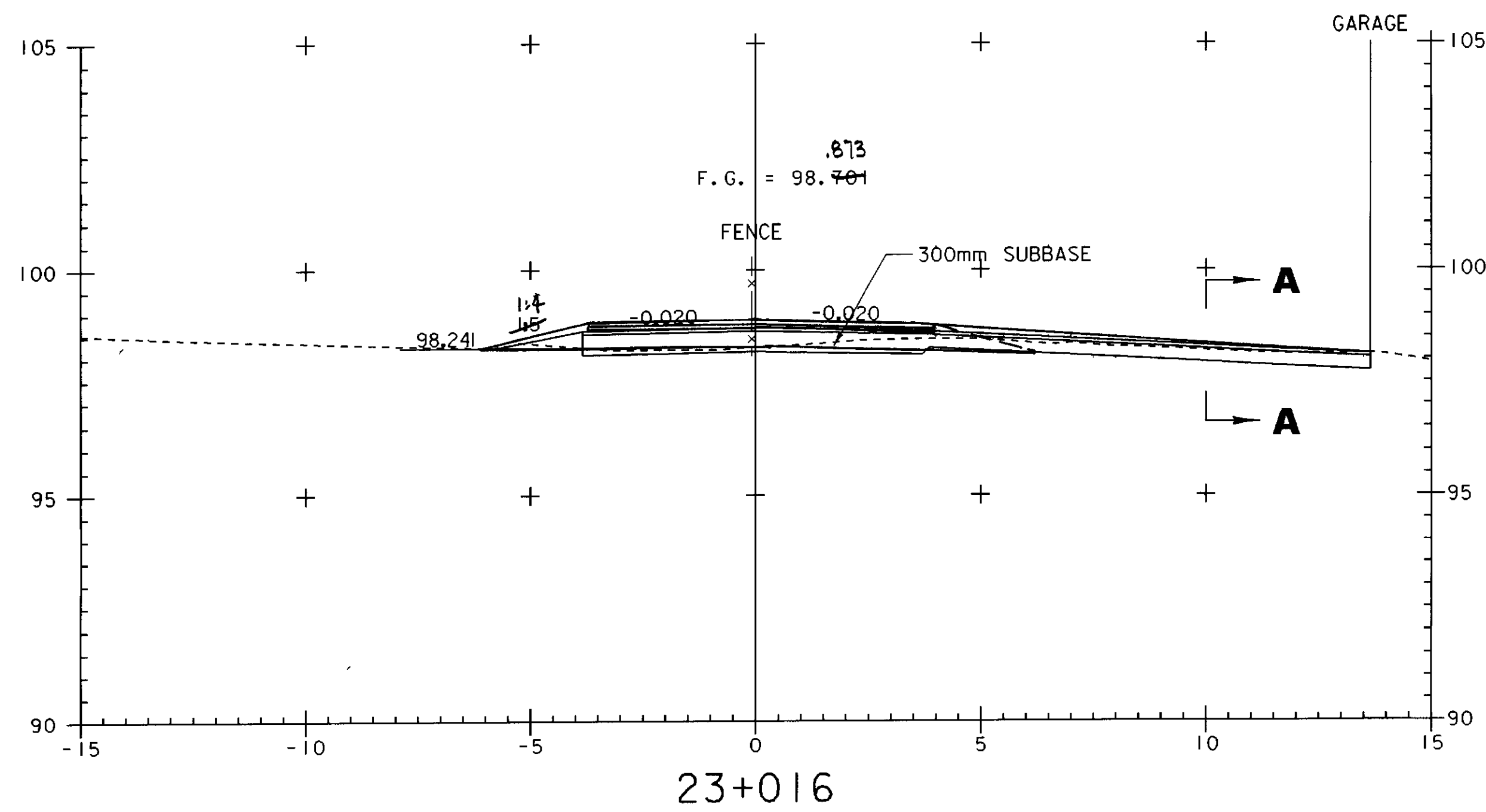


TH #25 SECTIONS



PROJECT NAME:	HIGHGATE - FRANKLIN
PROJECT NUMBER:	STP RS 030(I) SA
FILE NAME:	...85c060\design\dc060x08.dgn
PROJECT LEADER:	DELLASANTA
DESIGNED BY:	SQUAD B
IPARM FILE NAME:	dc060x0818.l
PLOT DATE:	09-MAY-2005
DRAWN BY:	SQUAD B
CHECKED BY:	SQUAD B
SHEET	383 OF 450