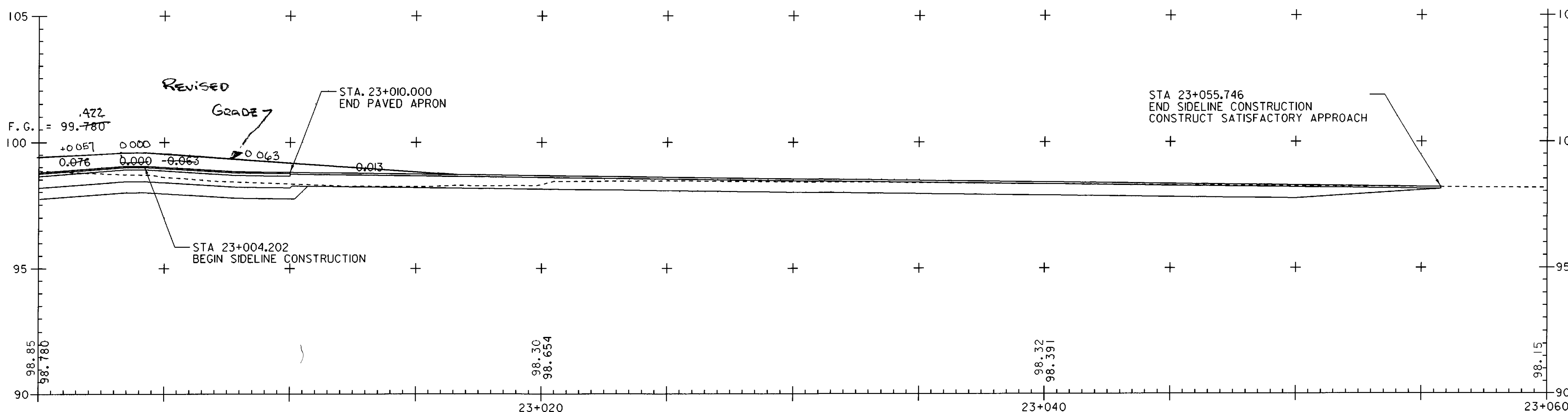
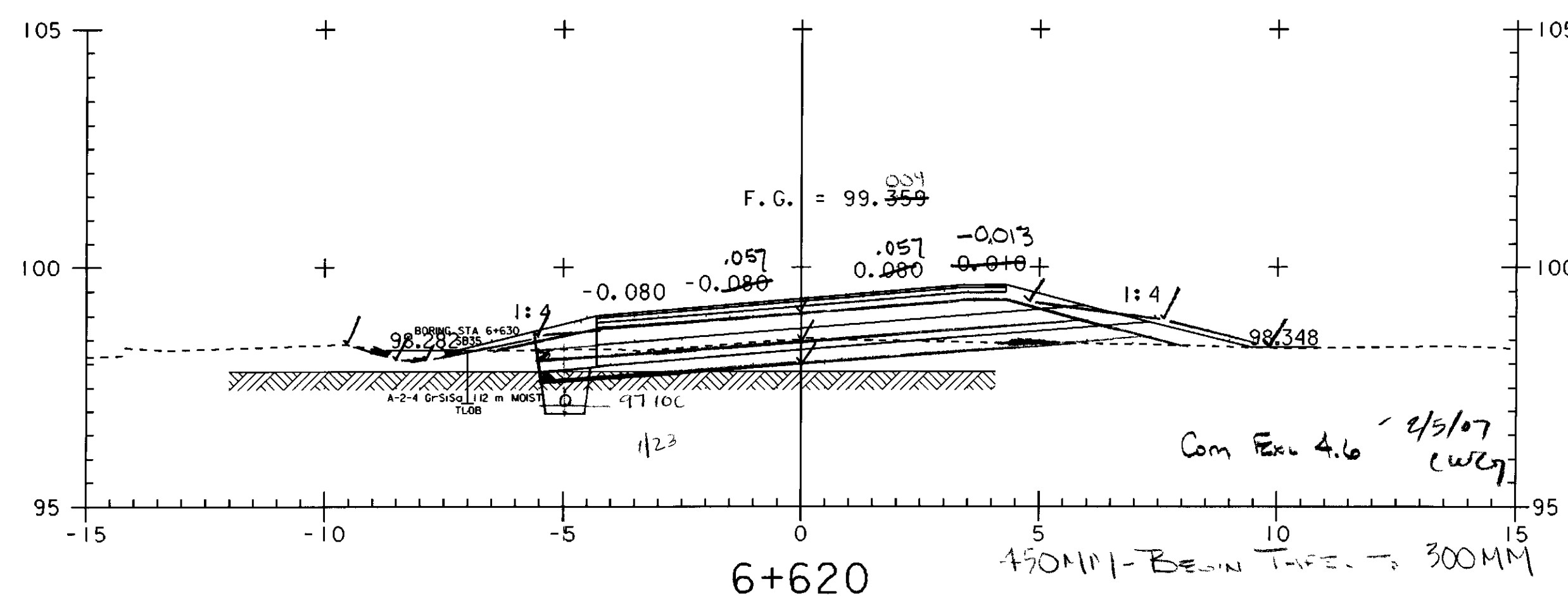
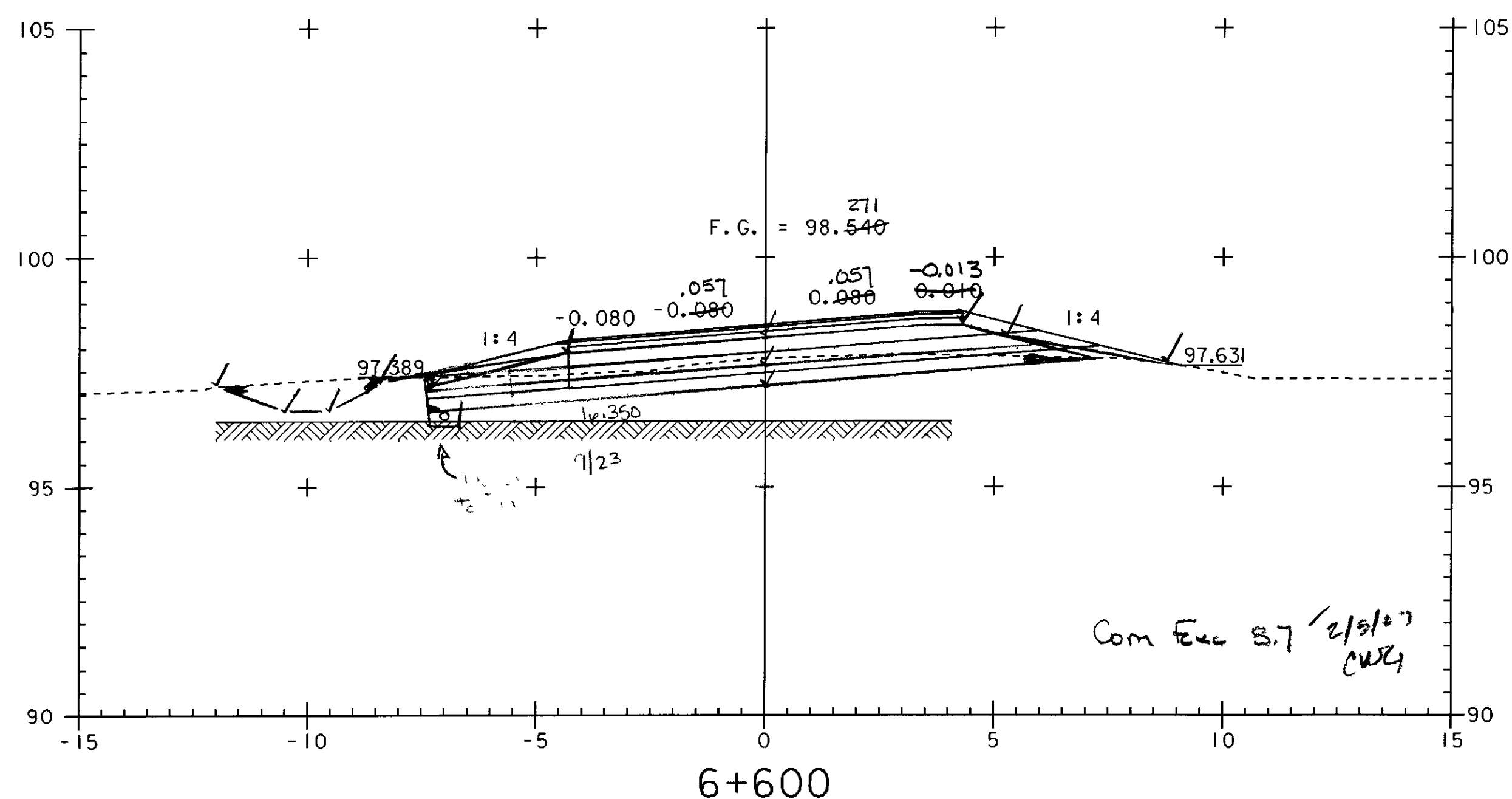


PROFILE TH #25



TH# 3
6+628.570 = TH #25
23+000



PROJECT NAME:	HIGHGATE - FRANKLIN
PROJECT NUMBER:	STP RS 030(I) SA
FILE NAME:	...85c060\design\dc060x08.dgn
PROJECT LEADER:	DELLASANTA
DESIGNED BY:	SQUAD B
IPARM FILE NAME:	dc060x0817.1
PLOT DATE:	09-MAY-2005
DRAWN BY:	SQUAD B
CHECKED BY:	SQUAD B
SHEET	382 OF 450