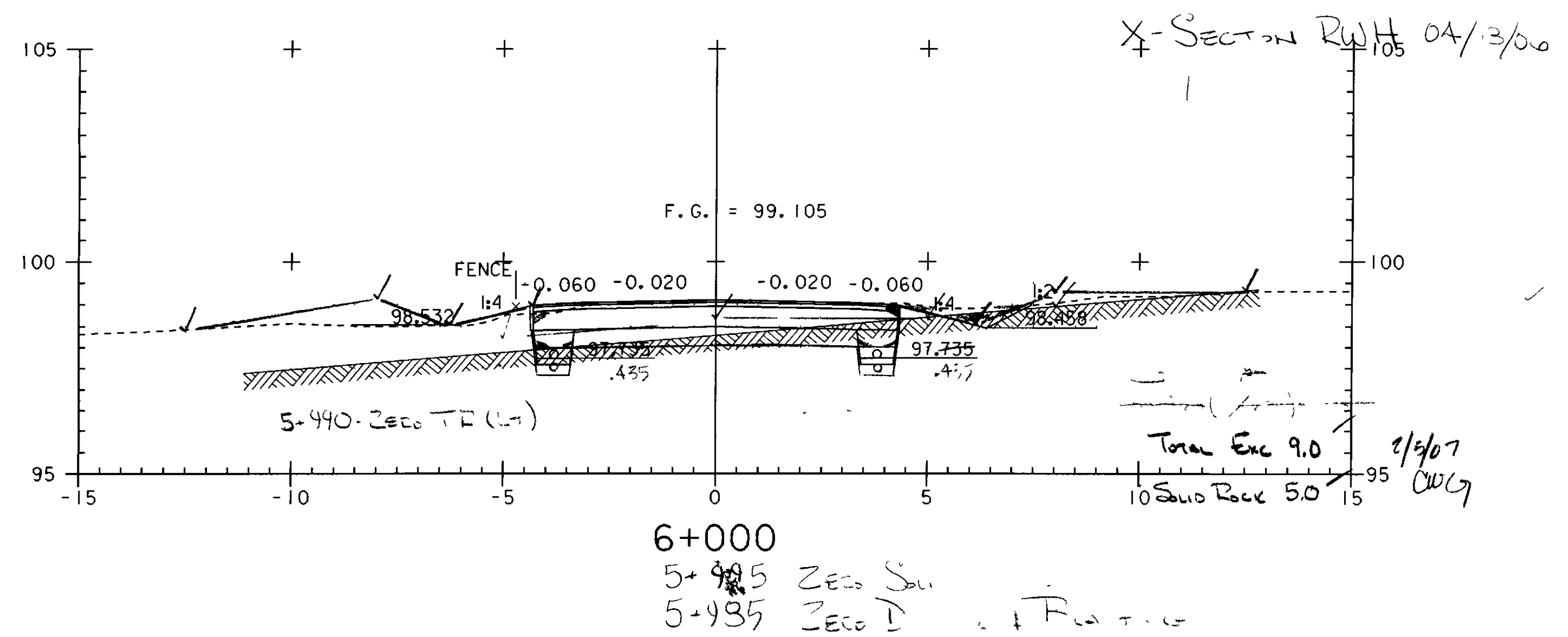
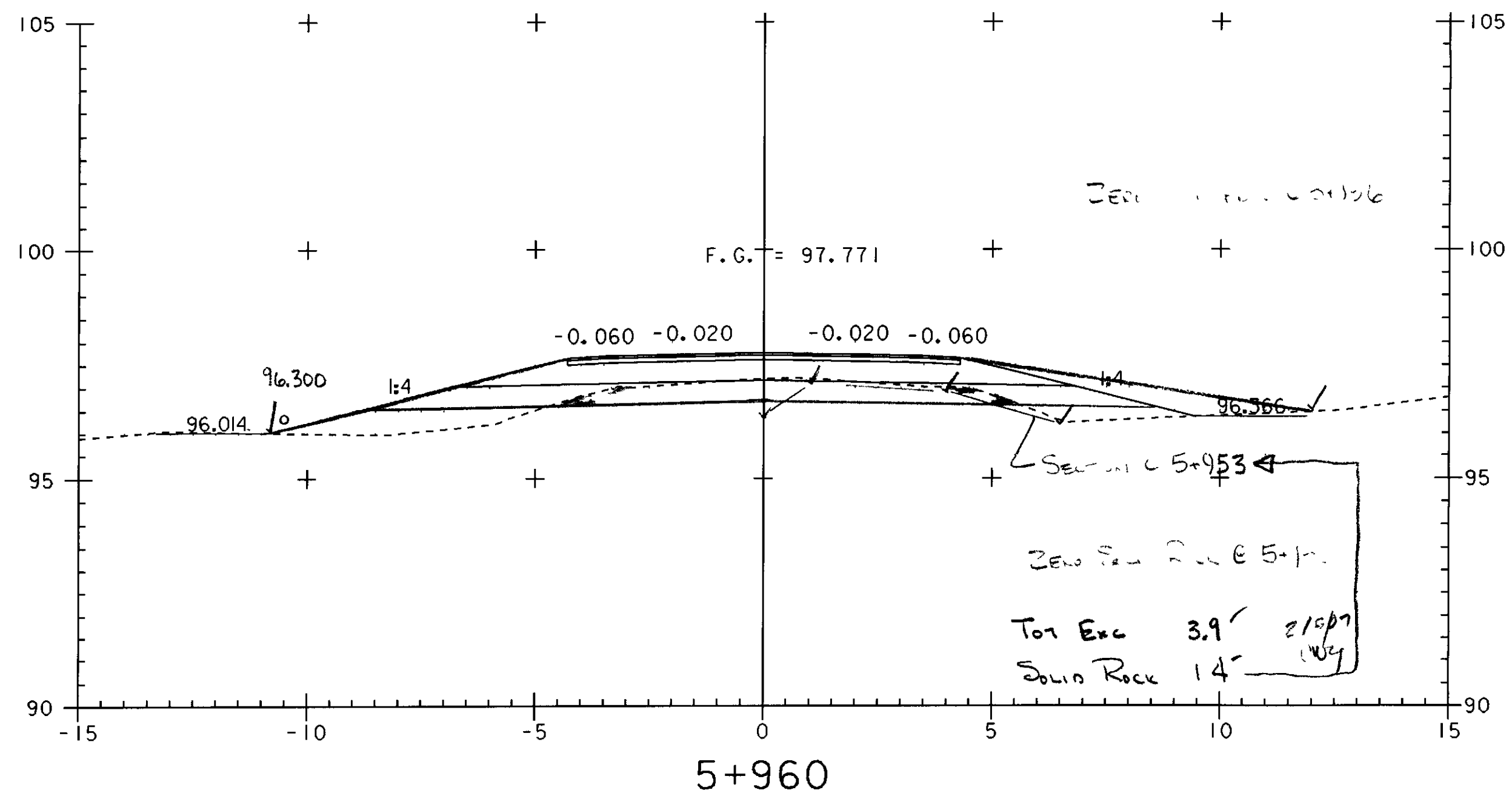
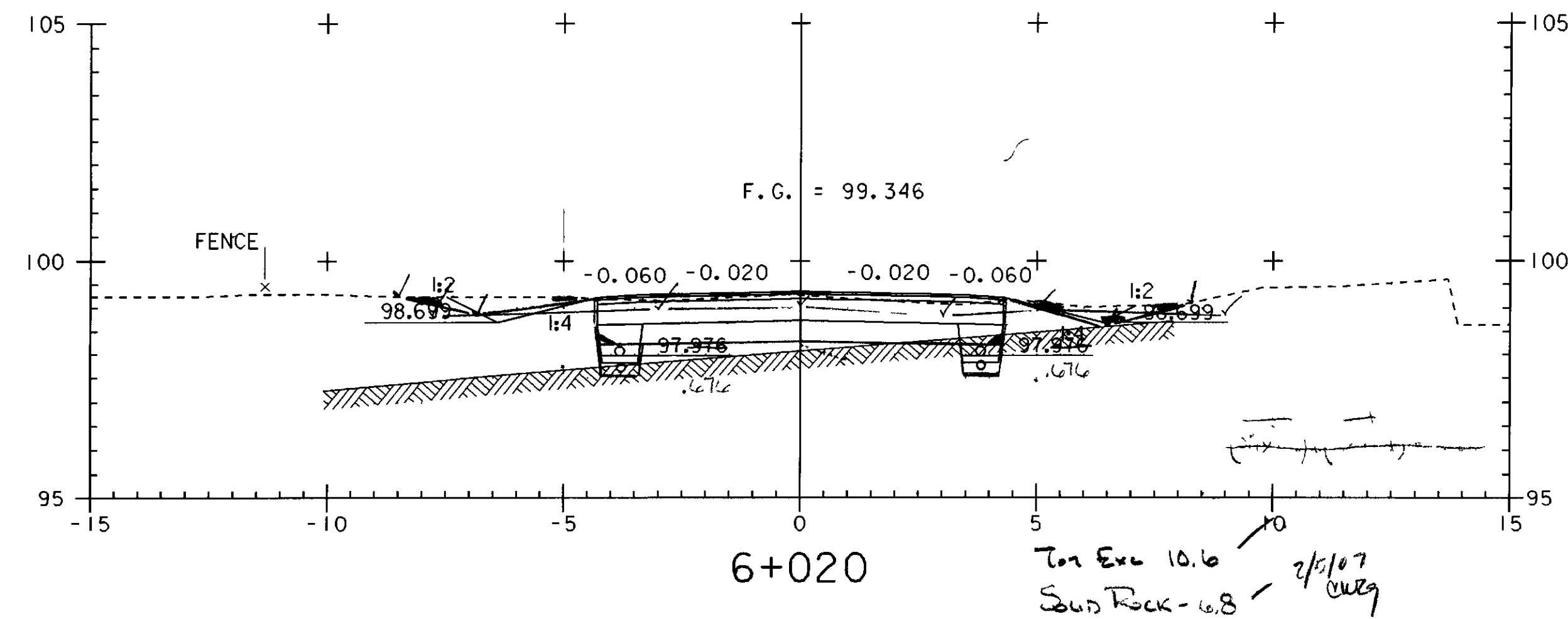
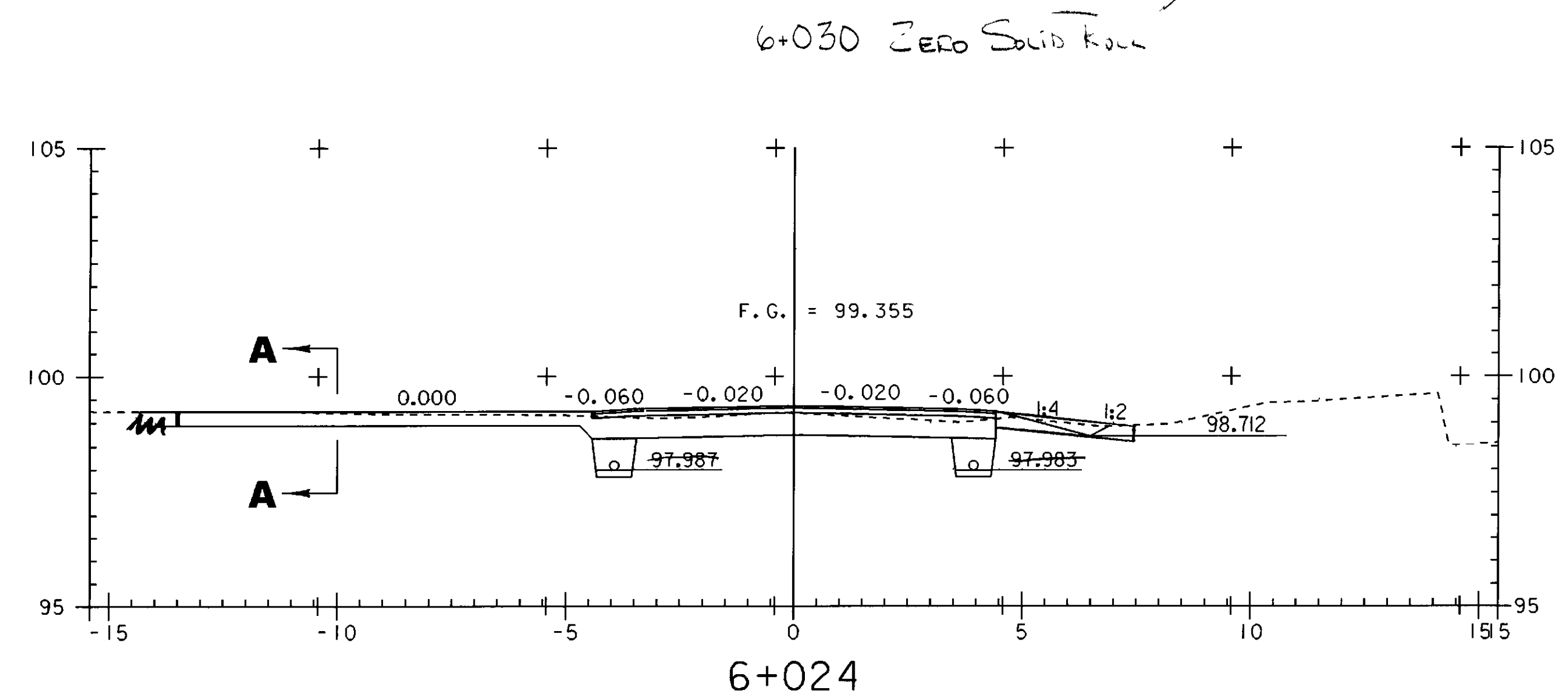
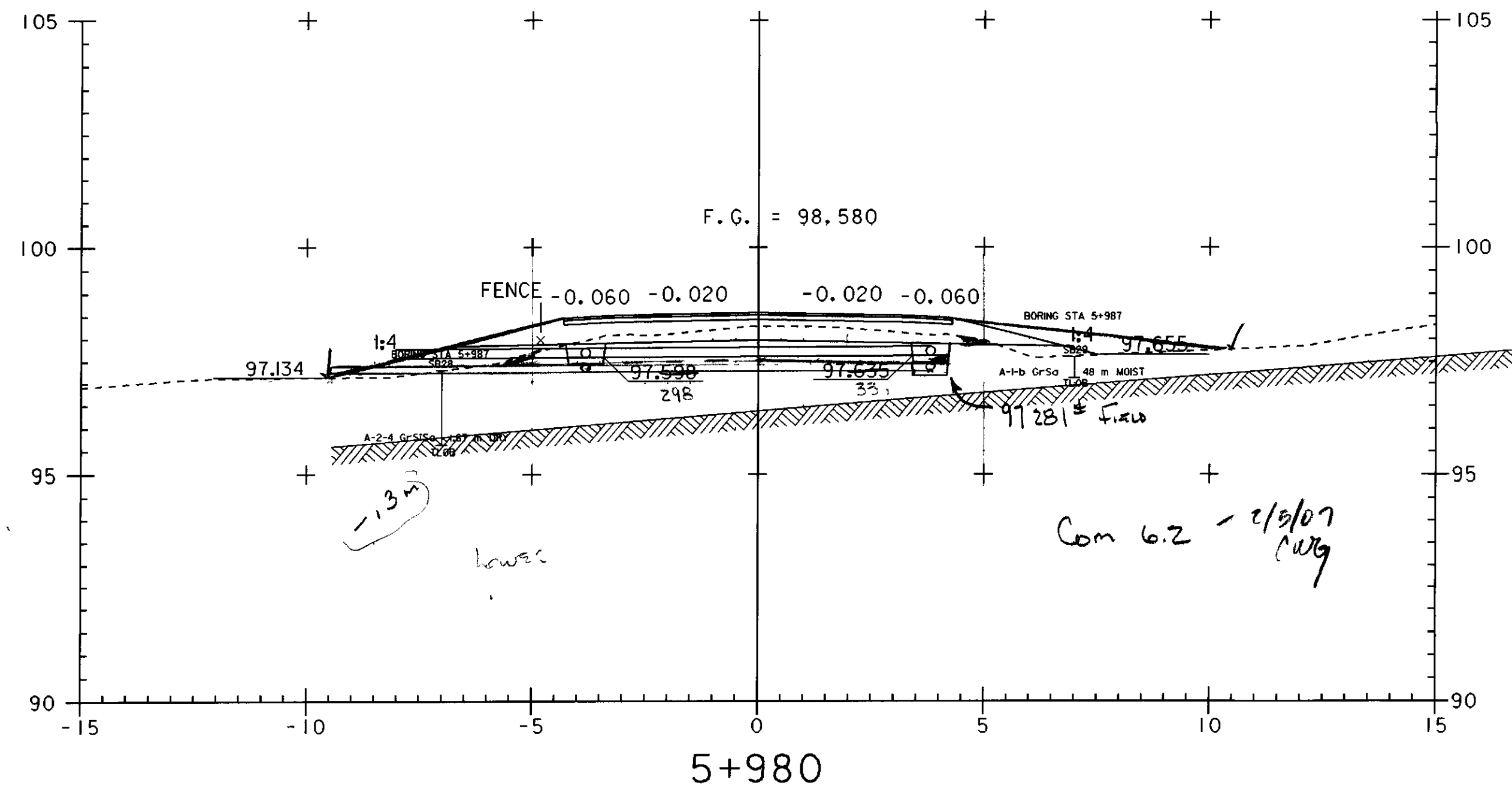
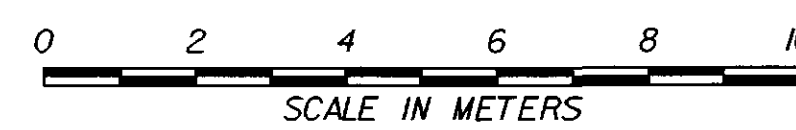


DRIVE AT 6+024 LT
SECTION A - A



STA 5+943.780 END TAPER
STA 5+941.440 END FULL DEPTH SAND (450MM) BEGIN TAPER



PROJECT NAME:	HIGHGATE - FRANKLIN
PROJECT NUMBER:	STP RS 030(K) SA
FILE NAME:	...85c060\design\dc060x08.dgn
PROJECT LEADER:	DELLASANTA
DESIGNED BY:	SQUAD B
IPARM FILE NAME:	dc060x084.1
PLOT DATE:	09-MAY-2005
DRAWN BY:	SQUAD B
CHECKED BY:	SQUAD B
SHEET	369 OF 450