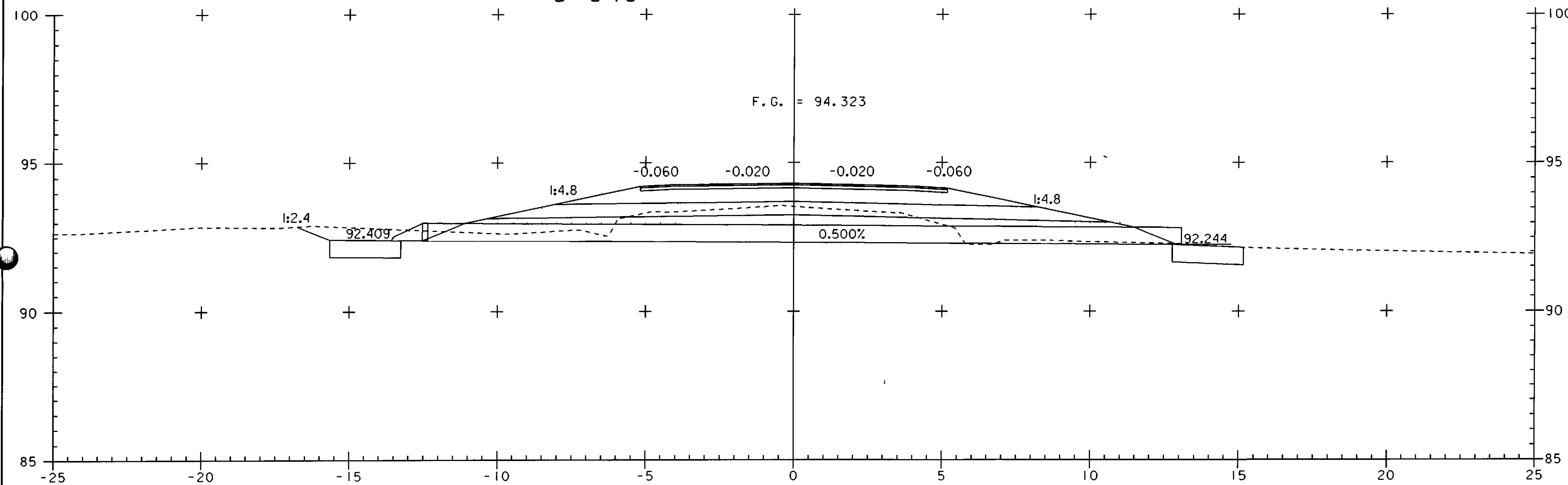
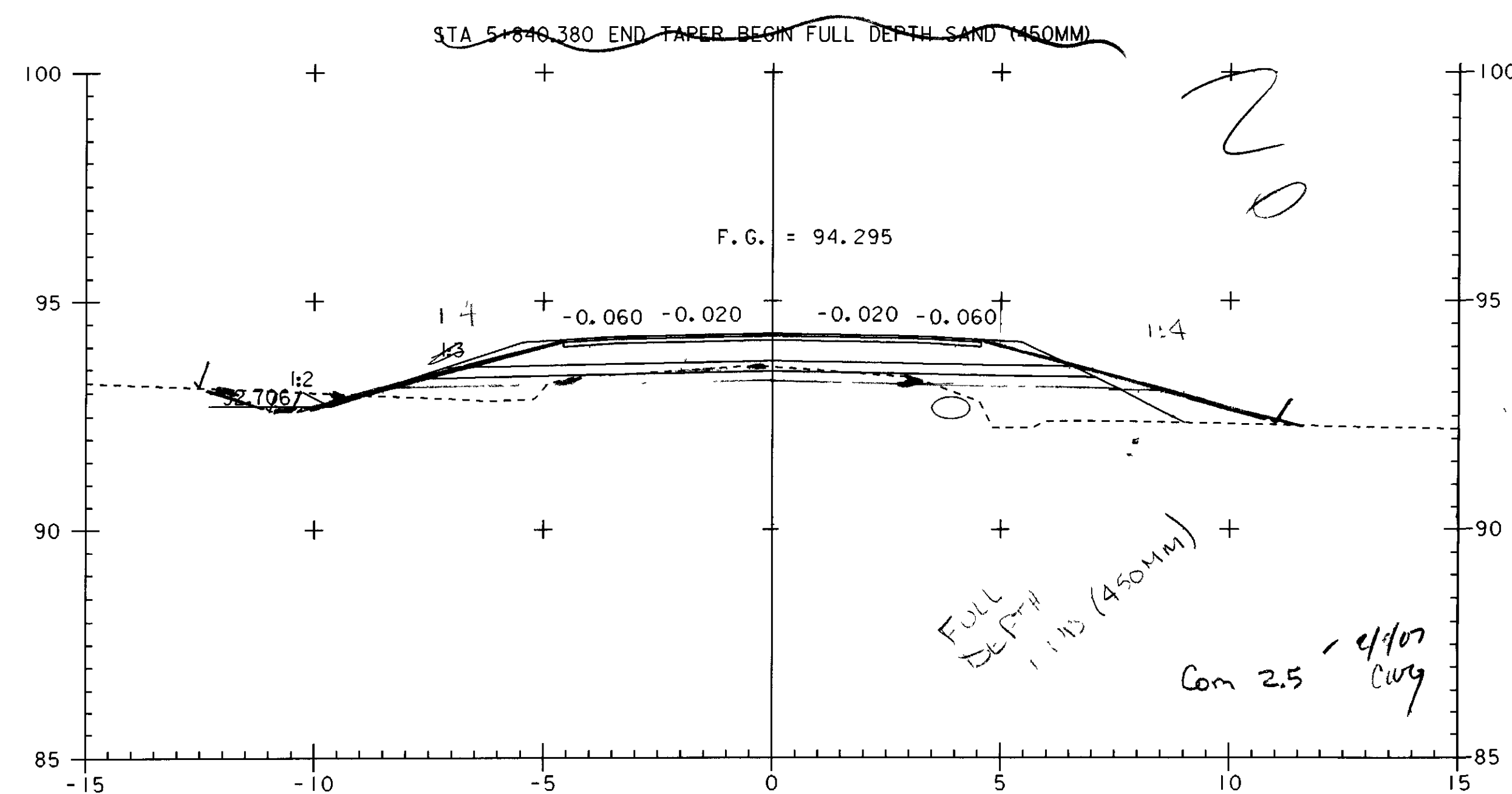


5+848



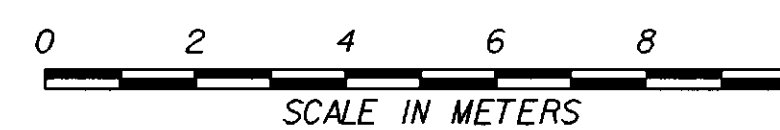
5+843
ASKEW = 56° 10' 08" LT



5+840

STA 5+838.640 BEGIN TAPER

Handwritten notes:
20
FULL DEPTH SAND (450MM)
Com 2.5 - eff/cug



PROJECT NAME: HIGHGATE - FRANKLIN
PROJECT NUMBER: STP RS 030(1) SA

FILE NAME: ...85c060\design\dc060x08.dgn PLOT DATE: 09-MAY-2005
PROJECT LEADER: DELLASANTA DRAWN BY: SQUAD B
DESIGNED BY: SQUAD B CHECKED BY: SQUAD B
IPARM FILE NAME: dc060x082.i SHEET 367 OF 450