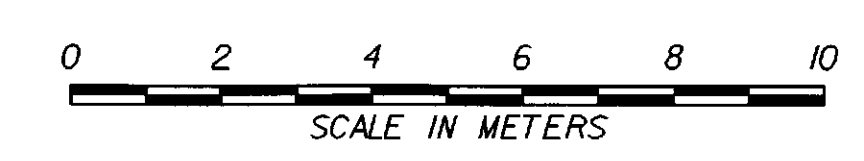
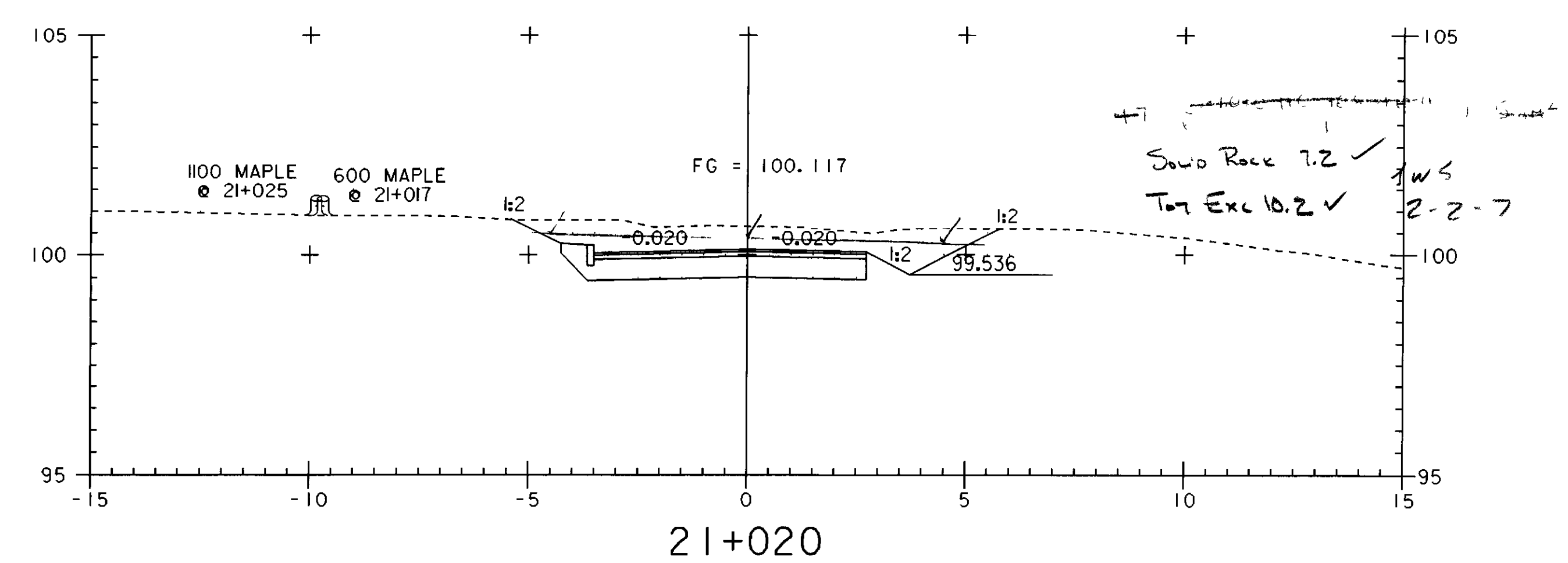
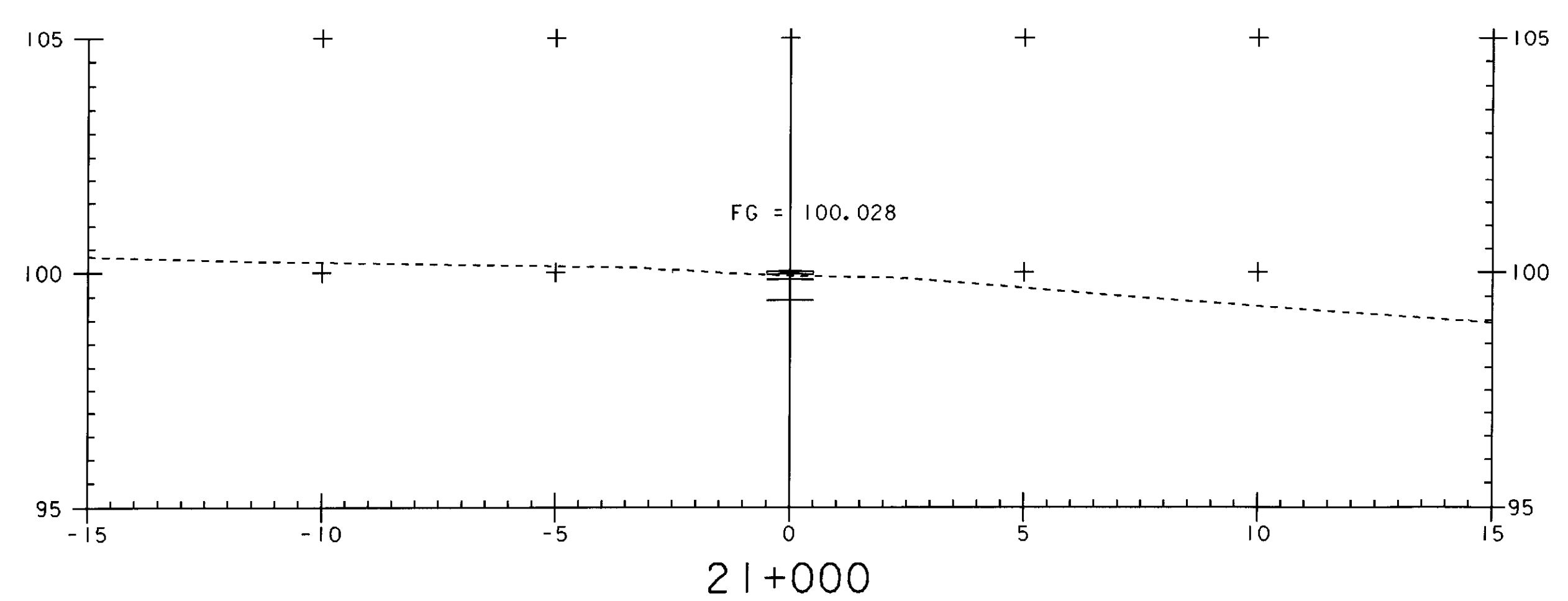
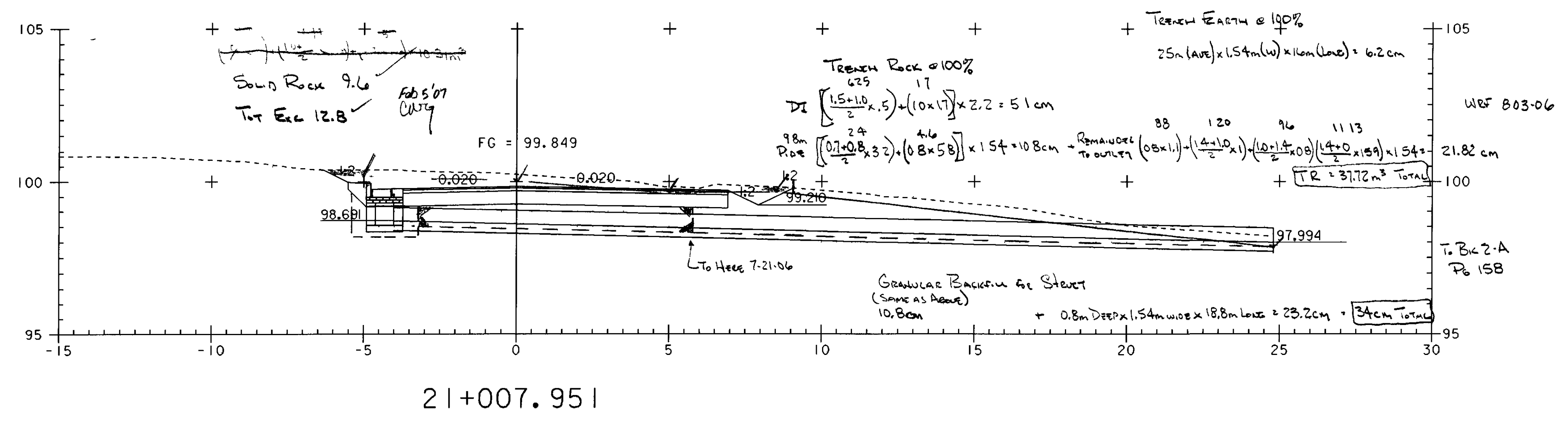
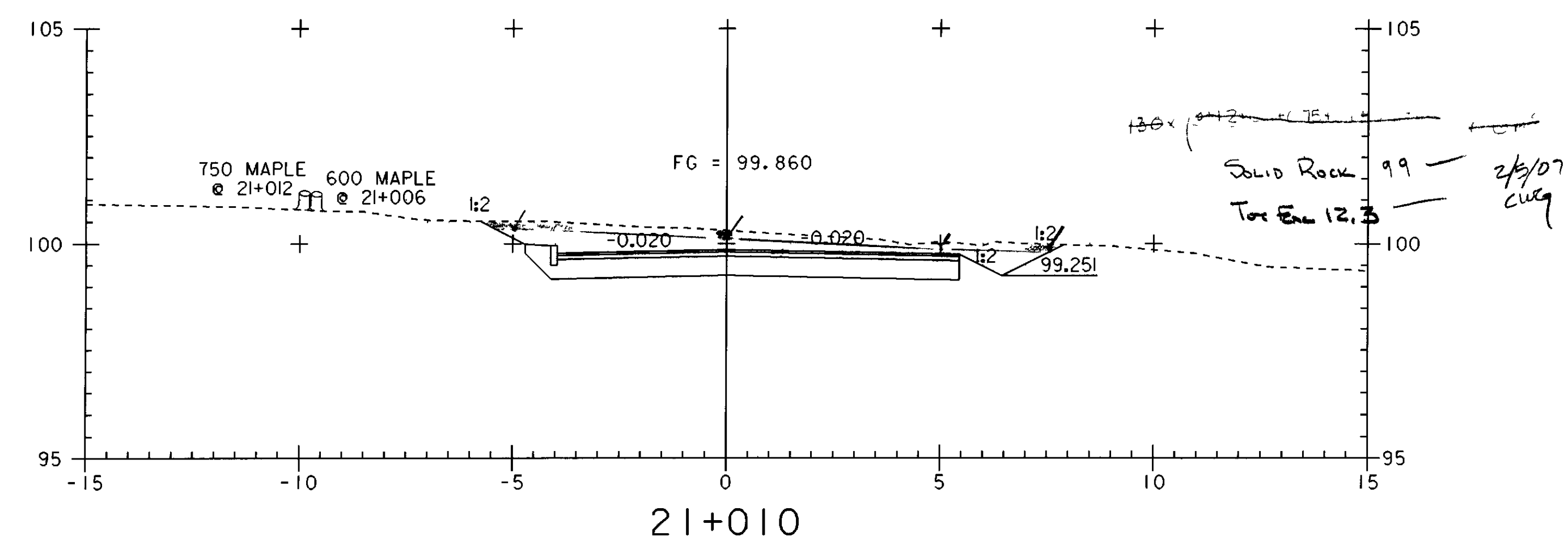


TH #24 SECTIONS



PROJECT NAME: HIGHGATE - FRANKLIN
 PROJECT NUMBER: STP RS 030(K) SA
 FILE NAME: ...85c060\design\dc060x07.dgn PLOT DATE: 09-MAY-2005
 PROJECT LEADER: DELLASANTA DRAWN BY: SQUAD B
 DESIGNED BY: SQUAD B CHECKED BY: SQUAD B
 IPARM FILE NAME: dc060x0714.I SHEET 360 OF 450