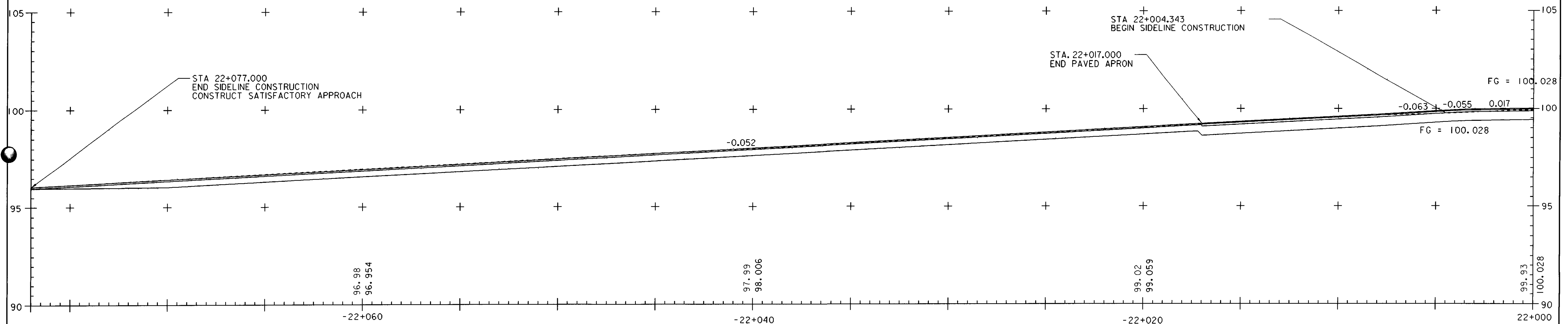
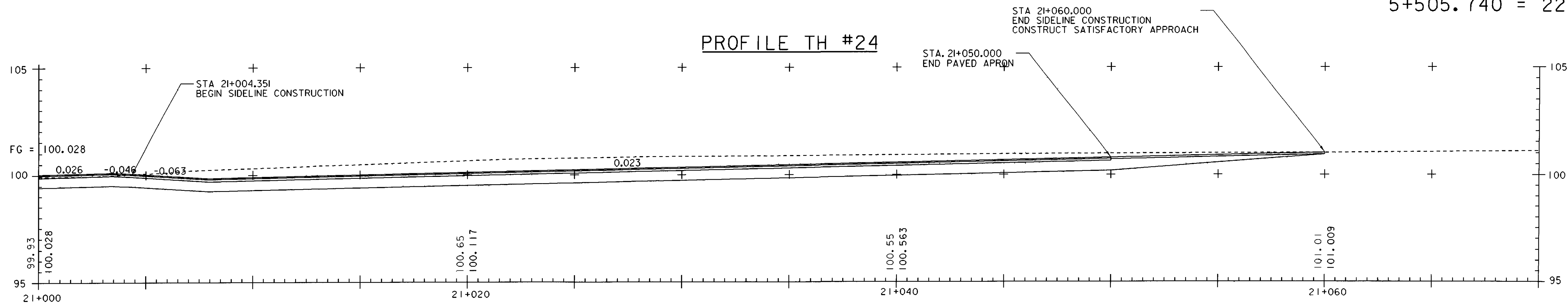


STA 5+600.000  
 BEGIN FINE GRADING AND PAVING  
 MATCH EXISTING GRADE  
 PROFILE TH #15



TH #3      TH #15  
 5+505.740 = 22+000



TH #1      TH #24  
 5+505.740 = 21+000



PROJECT NAME:	HIGHGATE - FRANKLIN
PROJECT NUMBER:	STP RS 030(I) SA
FILE NAME: ...85c060\design\dc060x07.dgn	PLOT DATE: 09-MAY-2005
PROJECT LEADER: DELLASANTA	DRAWN BY: SQUAD B
DESIGNED BY: SQUAD B	CHECKED BY: SQUAD B
IPARM FILE NAME: dc060x0713.t	SHEET 359 OF 450