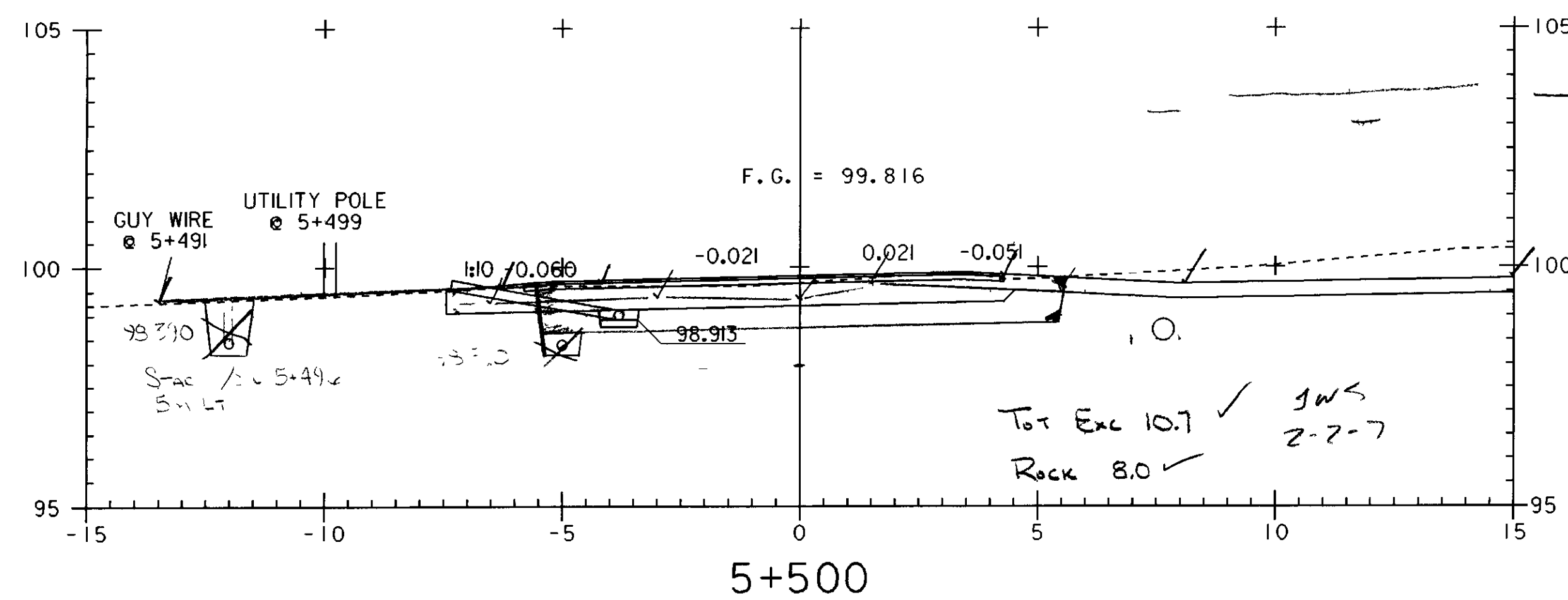


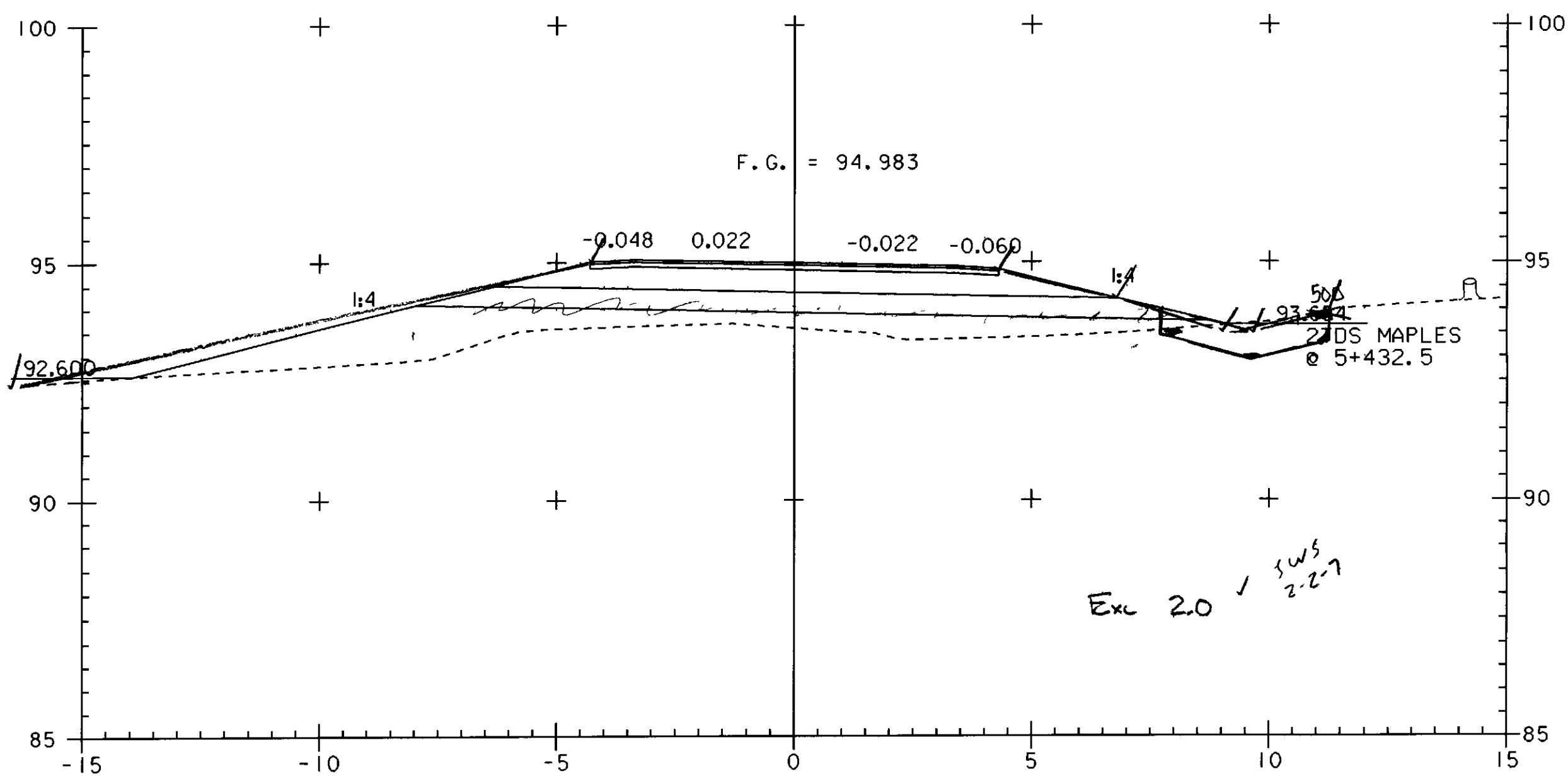
5+460 BEGIN FULL DEPTH SAND (450MM)

Zero Rock 5+459



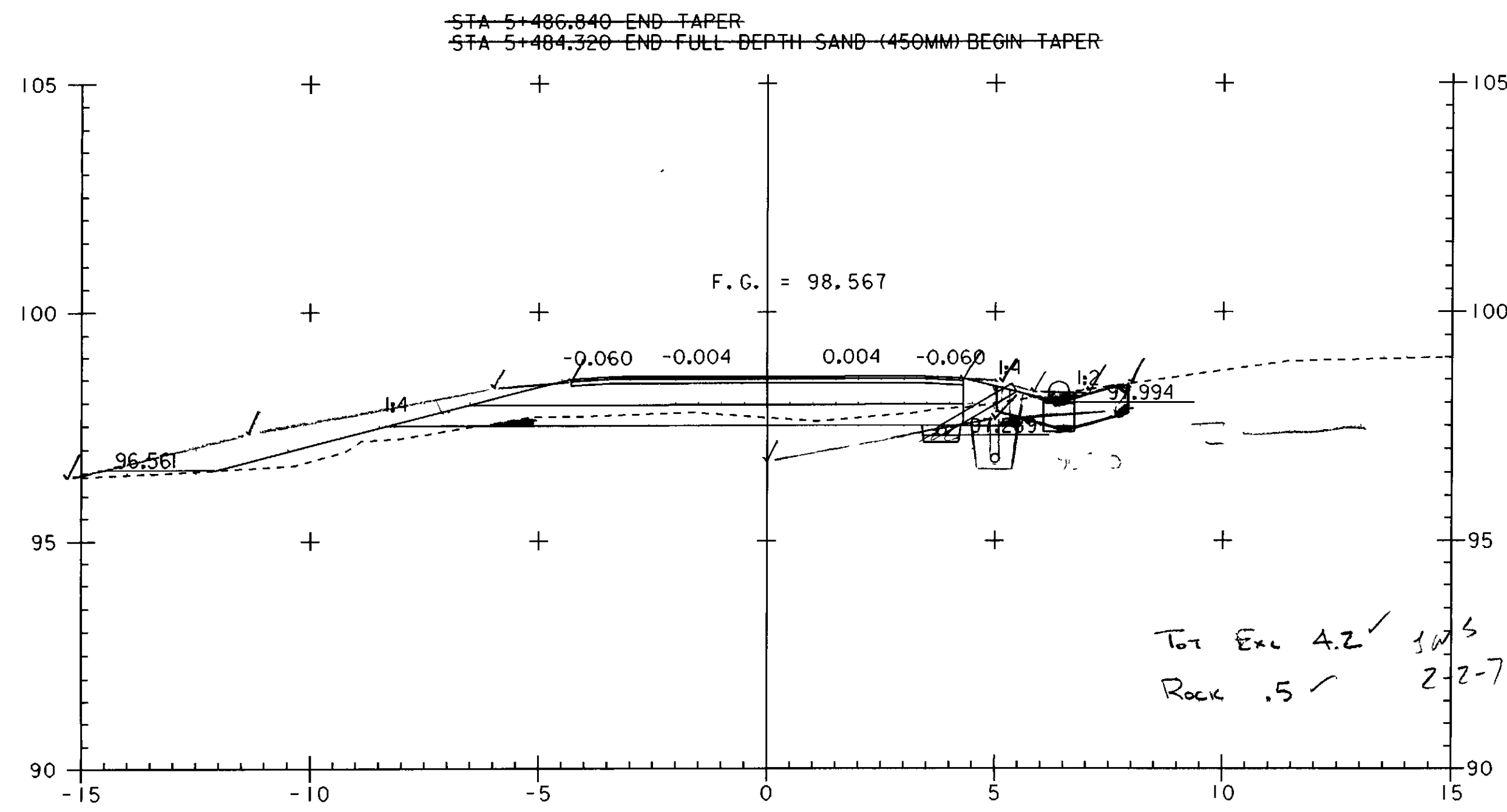
5+500

Tot Exc 10.7  
Rock 8.0



5+440 BEGIN SAND TAPER

Exc 2.0



5+480

Tot Exc 4.2  
Rock .5



PROJECT NAME:	HIGHGATE - FRANKLIN
PROJECT NUMBER:	STP RS 030(I) SA
FILE NAME: ...85c060\design\dc060x07.dgn	PLOT DATE: 09-MAY-2005
PROJECT LEADER: DELLASANTA	DRAWN BY: SQUAD B
DESIGNED BY: SQUAD B	CHECKED BY: SQUAD B
IPARM FILE NAME: dc060x07I.1	SHEET 357 OF 450