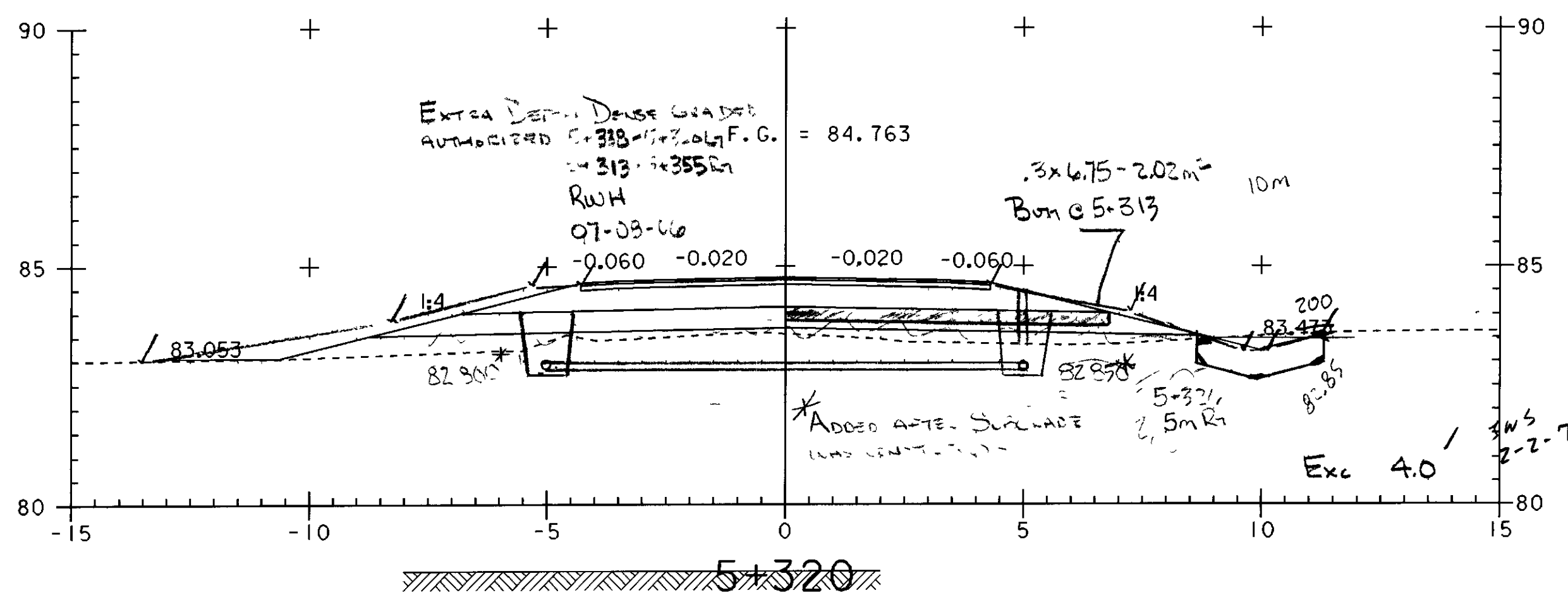


ADDITIONAL UNDERCUT AREA - FIRST INSTALLED UNDERCUT FAILED - INSTALLED 1/2 & REPLACED SOME TIME



PROJECT NAME:	HIGHGATE - FRANKLIN
PROJECT NUMBER:	STP RS 0301(I) SA
FILE NAME:	...85c060\design\dc060x07.dgn
PROJECT LEADER:	DELLASANTA
DESIGNED BY:	SQUAD B
IPARM FILE NAME:	dc060x079.1
PLOT DATE:	09-MAY-2005
DRAWN BY:	SQUAD B
CHECKED BY:	SQUAD B
SHEET	355 OF 450