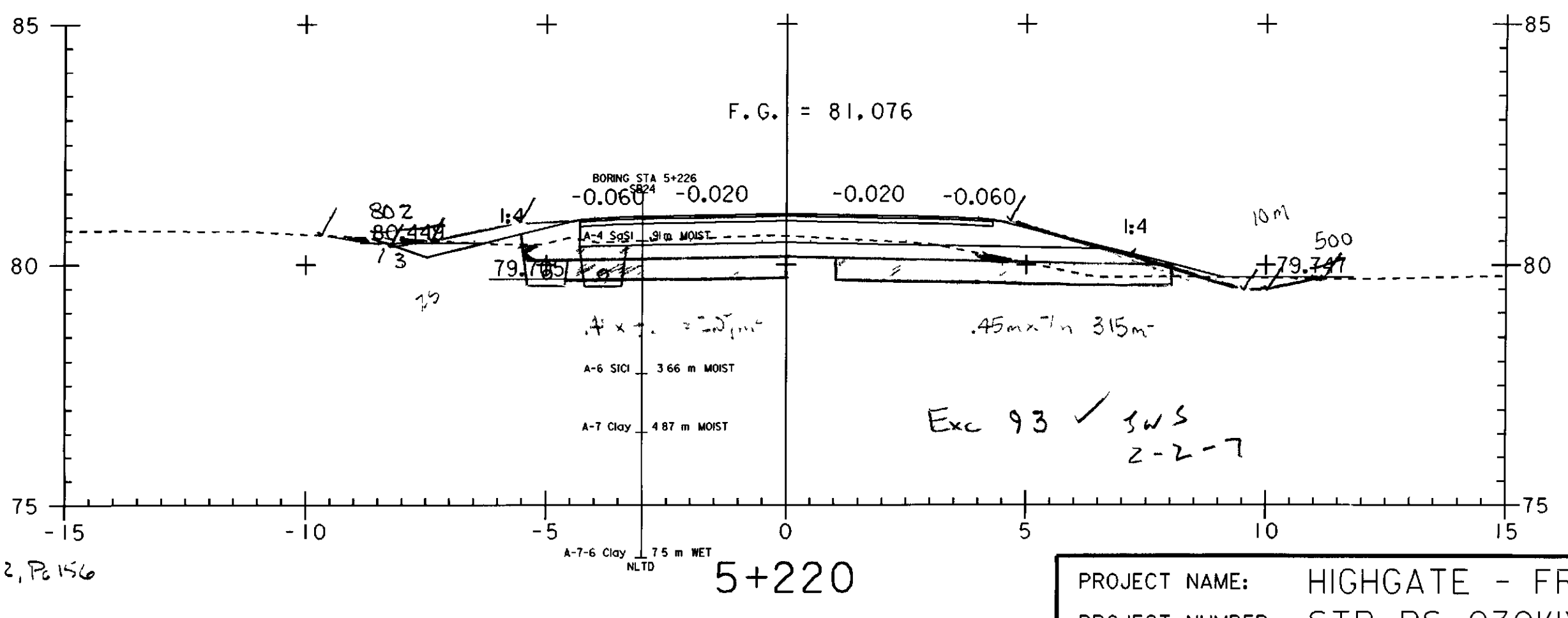
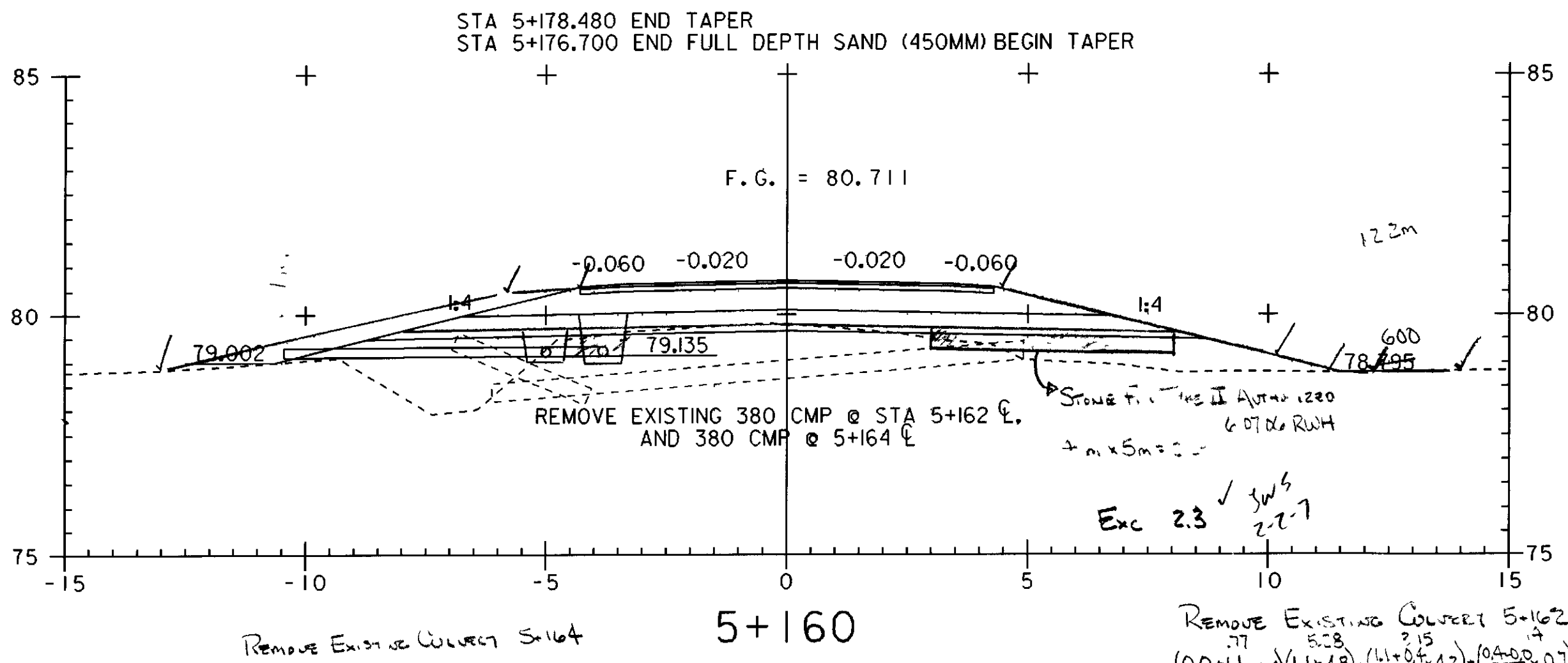
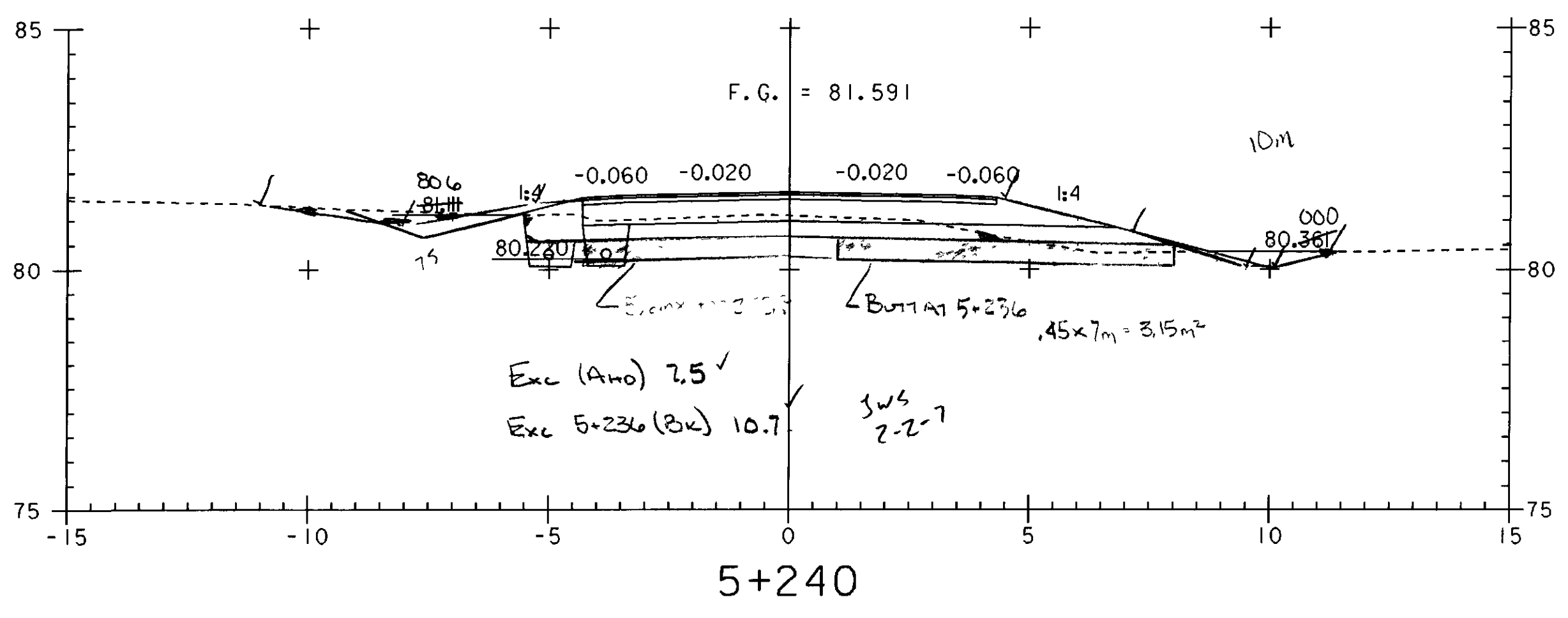
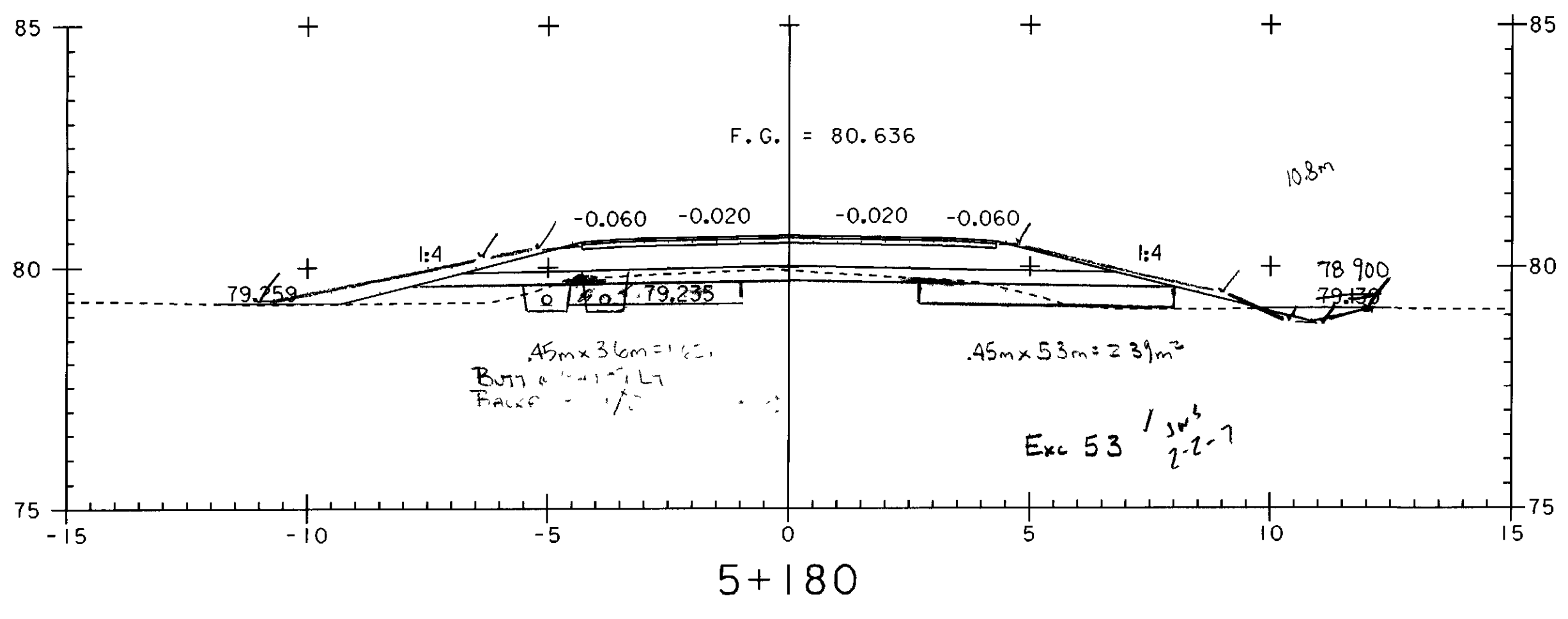
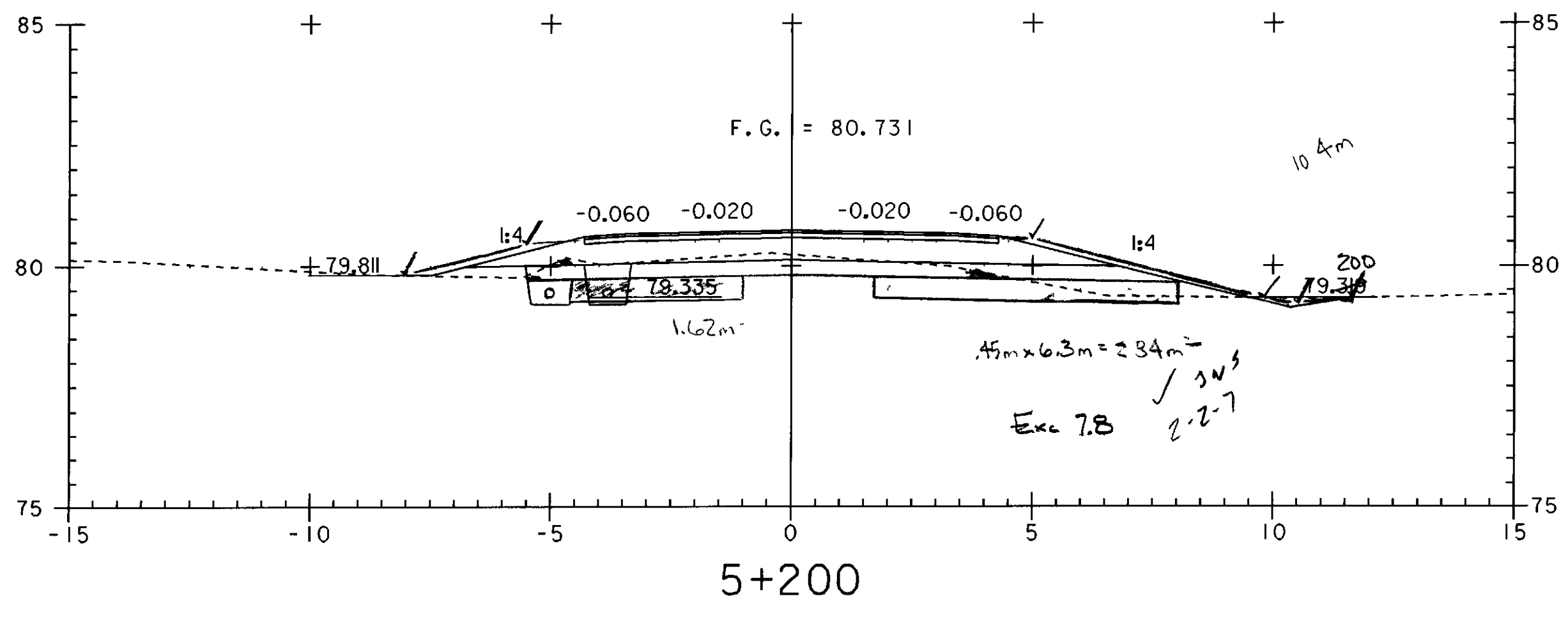


3.2  
1.8A  
2.811  
1.62



Remove Existing Culvert 5+164  
 $(\frac{0.02 \times 1.4}{2}) \times 1.41 = 12.8 \text{ cm}$  To Be 2, P. 158  
 WEF B-02-06  
 Rev. 12-17-06

REMOVE EXISTING CULVERT 5+162  
 $(\frac{0.02 \times 1.4}{2}) \times 1.41 = 12.8 \text{ cm}$  To Be 2, P. 158  
 WEF B-02-06  
 Rev. 12-27-06



PROJECT NAME:	HIGHGATE - FRANKLIN
PROJECT NUMBER:	STP RS 030(1) SA
FILE NAME:	...85c060\design\dc060x07.dgn
PROJECT LEADER:	DELLASANTA
DESIGNED BY:	SQUAD B
IPARM FILE NAME:	dc060x077.1
PLOT DATE:	09-MAY-2005
DRAWN BY:	SQUAD B
CHECKED BY:	SQUAD B
SHEET	353 OF 450

2.2  
2.5  
3.15  
3.4  
1.3

2.43  
3.15  
2.07  
2.16