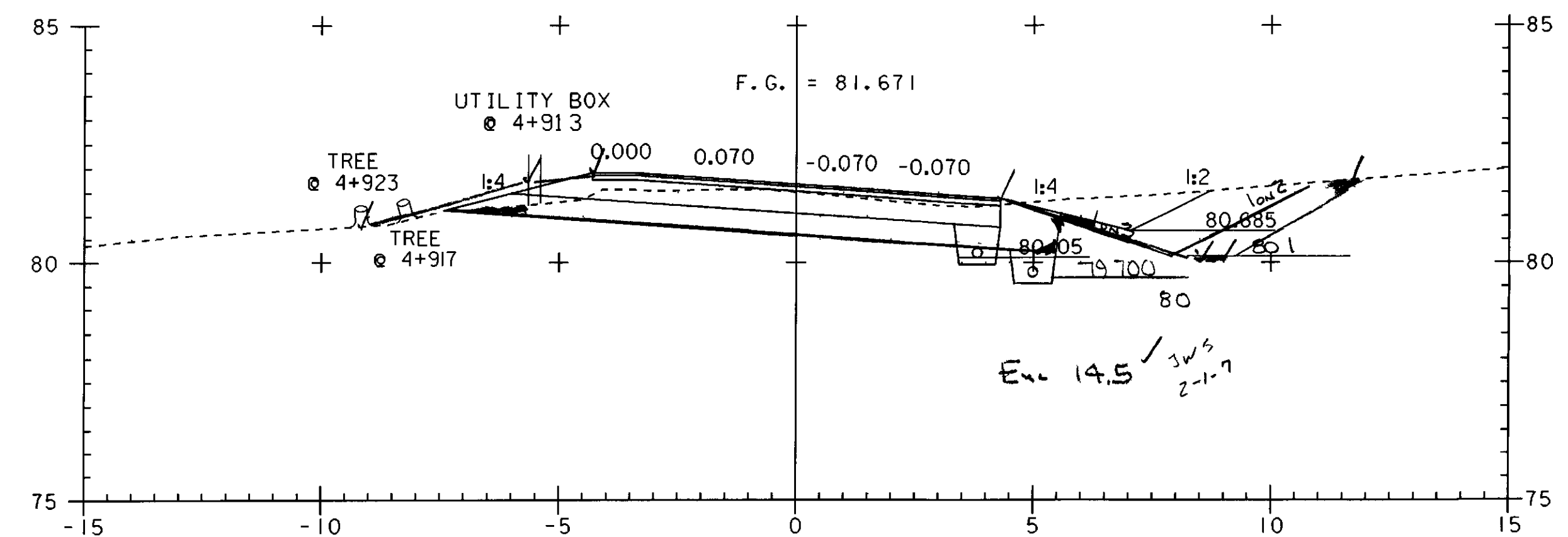
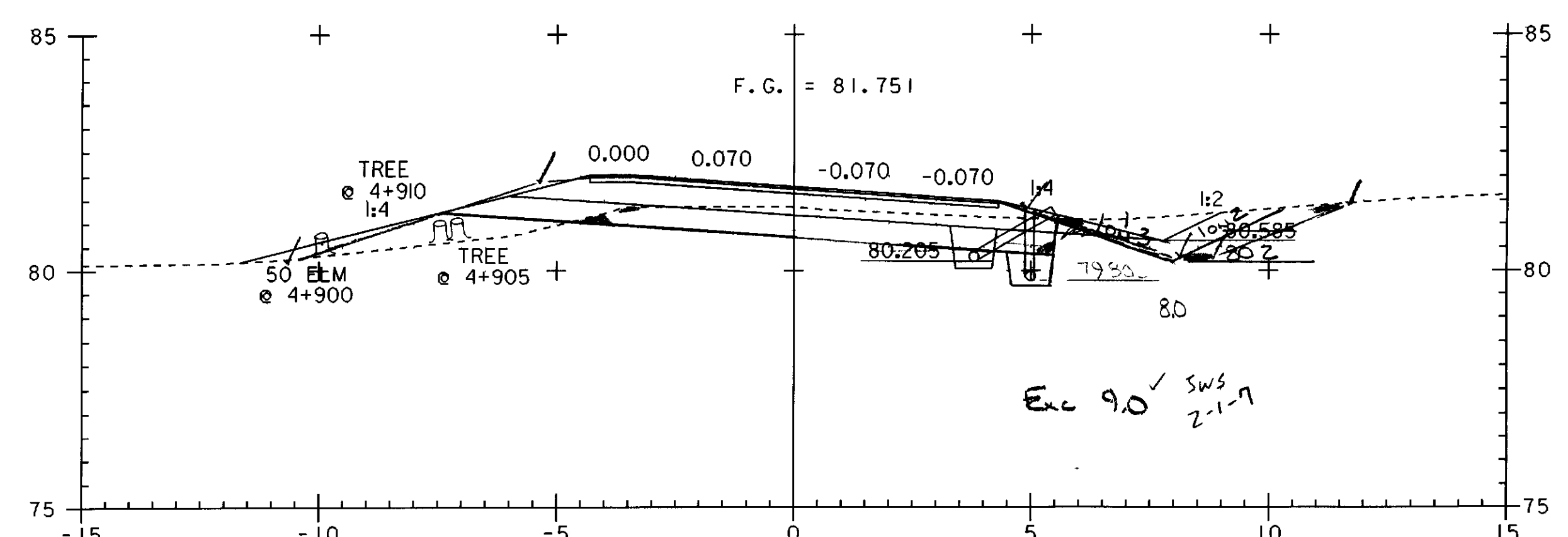


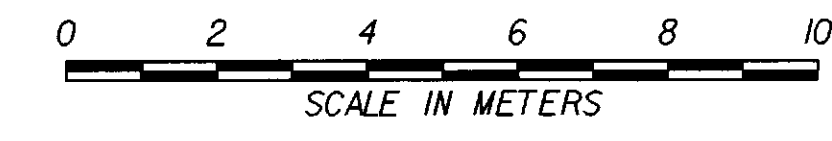
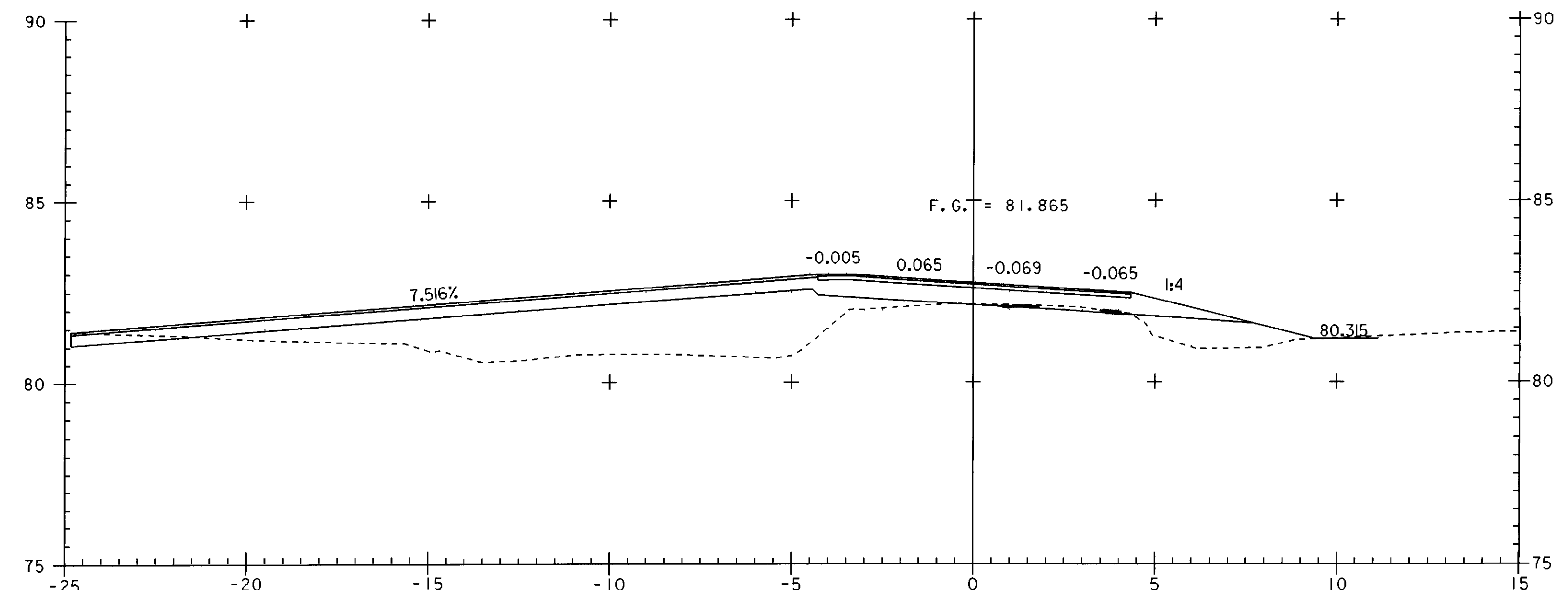
DRIVE @ 4+935 LT  
A - A



Exc 14.5 / Sws 2-1-7



Exc 9.0 / Sws 2-1-7



PROJECT NAME:	HIGHGATE - FRANKLIN
PROJECT NUMBER:	STP RS 030(I) SA
FILE NAME:	...85c060\design\dc060x07.dgn
PLOT DATE:	09-MAY-2005
PROJECT LEADER:	DELLASANTA
DRAWN BY:	SQUAD B
DESIGNED BY:	SQUAD B
CHECKED BY:	SQUAD B
IPARM FILE NAME:	dc060x073.1
SHEET	349 OF 450