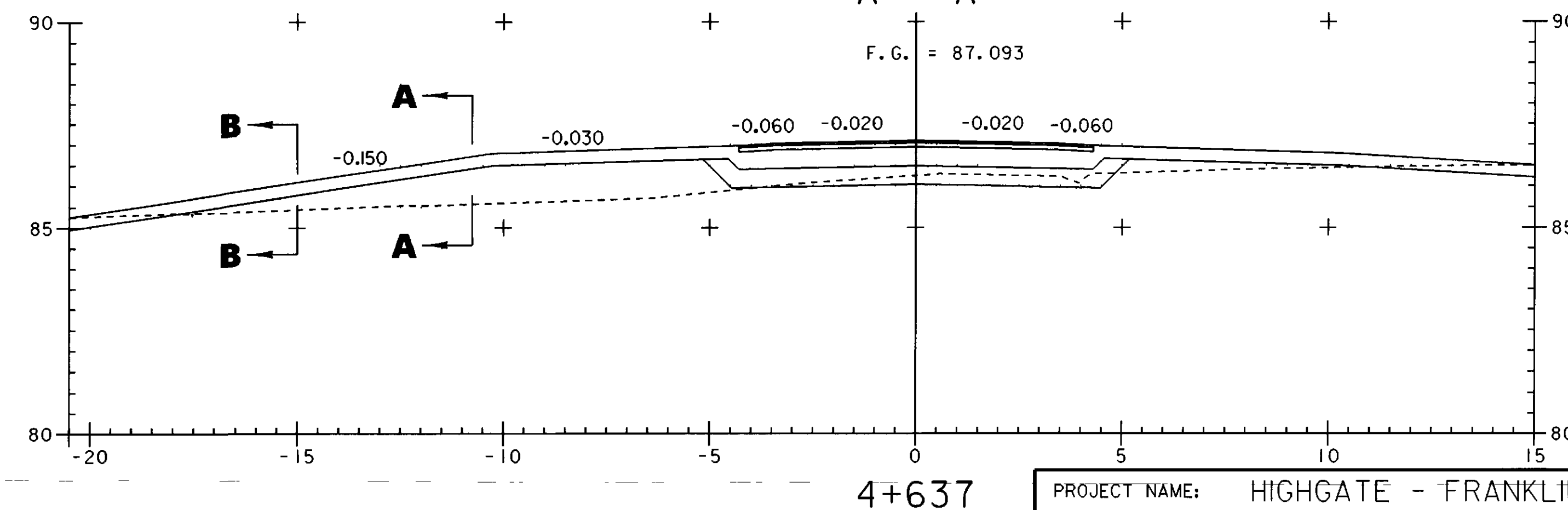
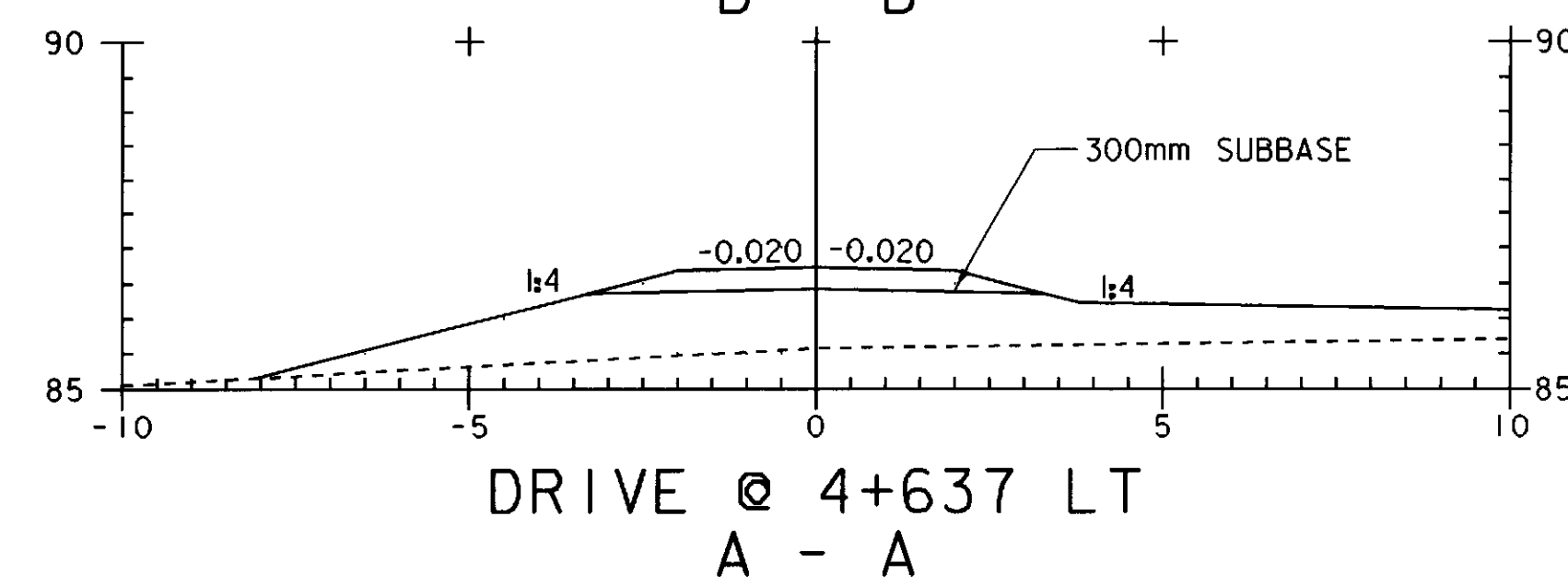
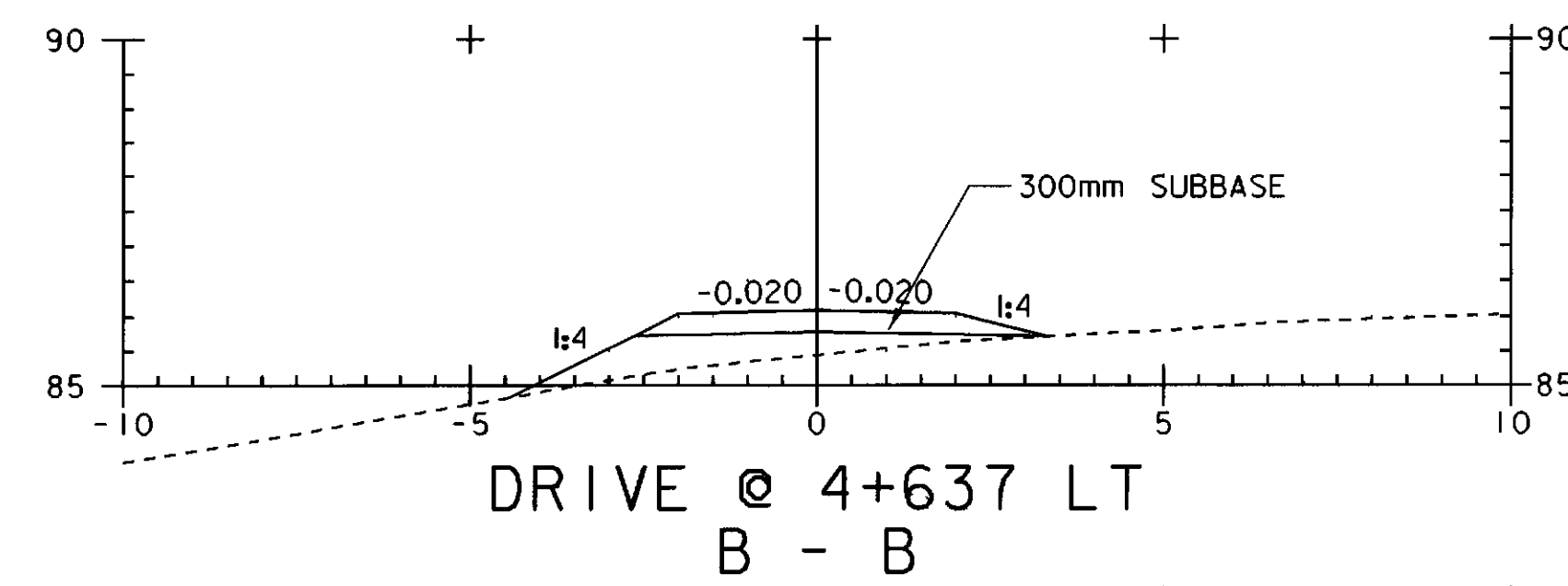
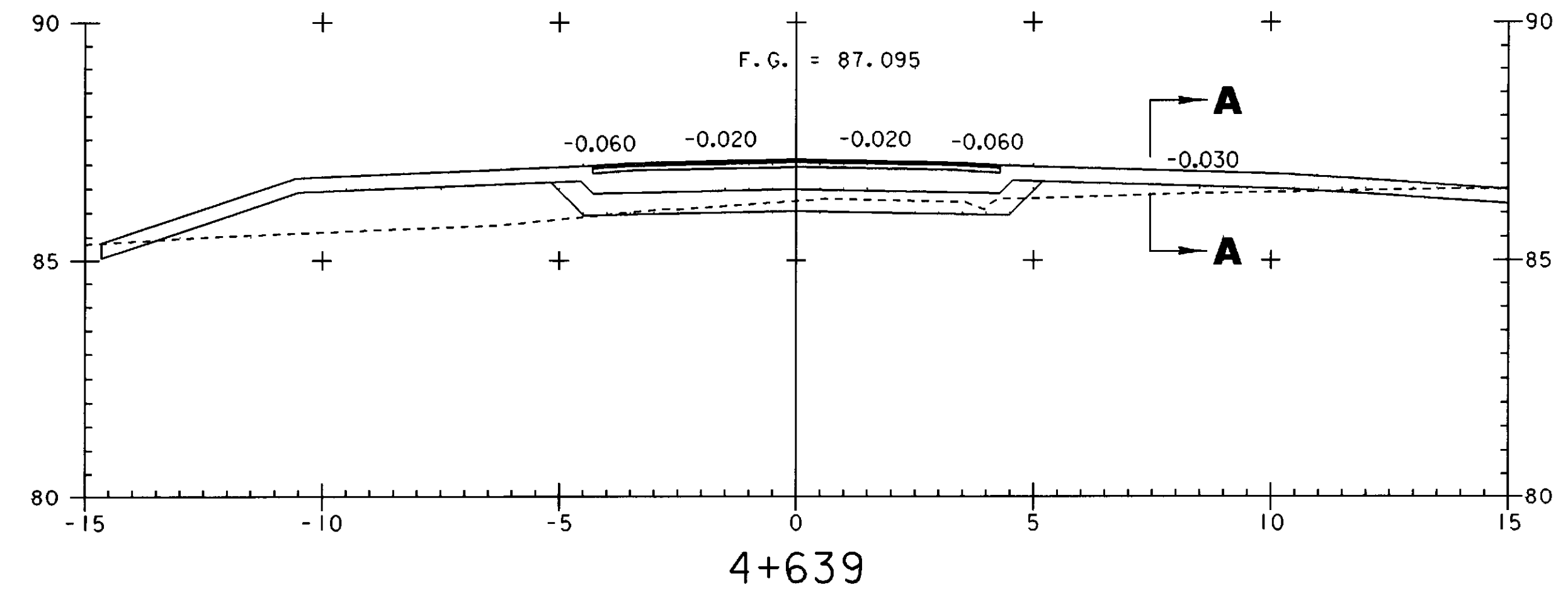
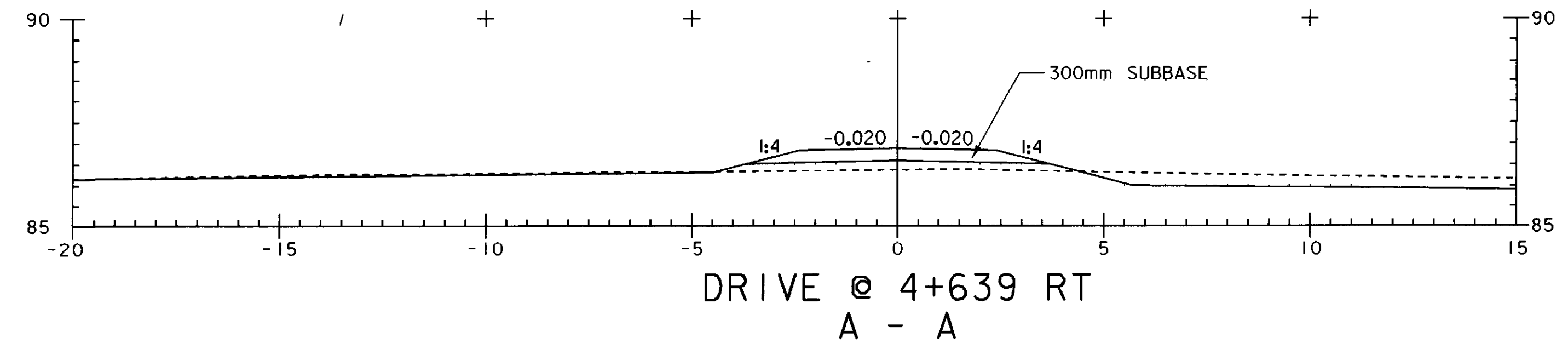
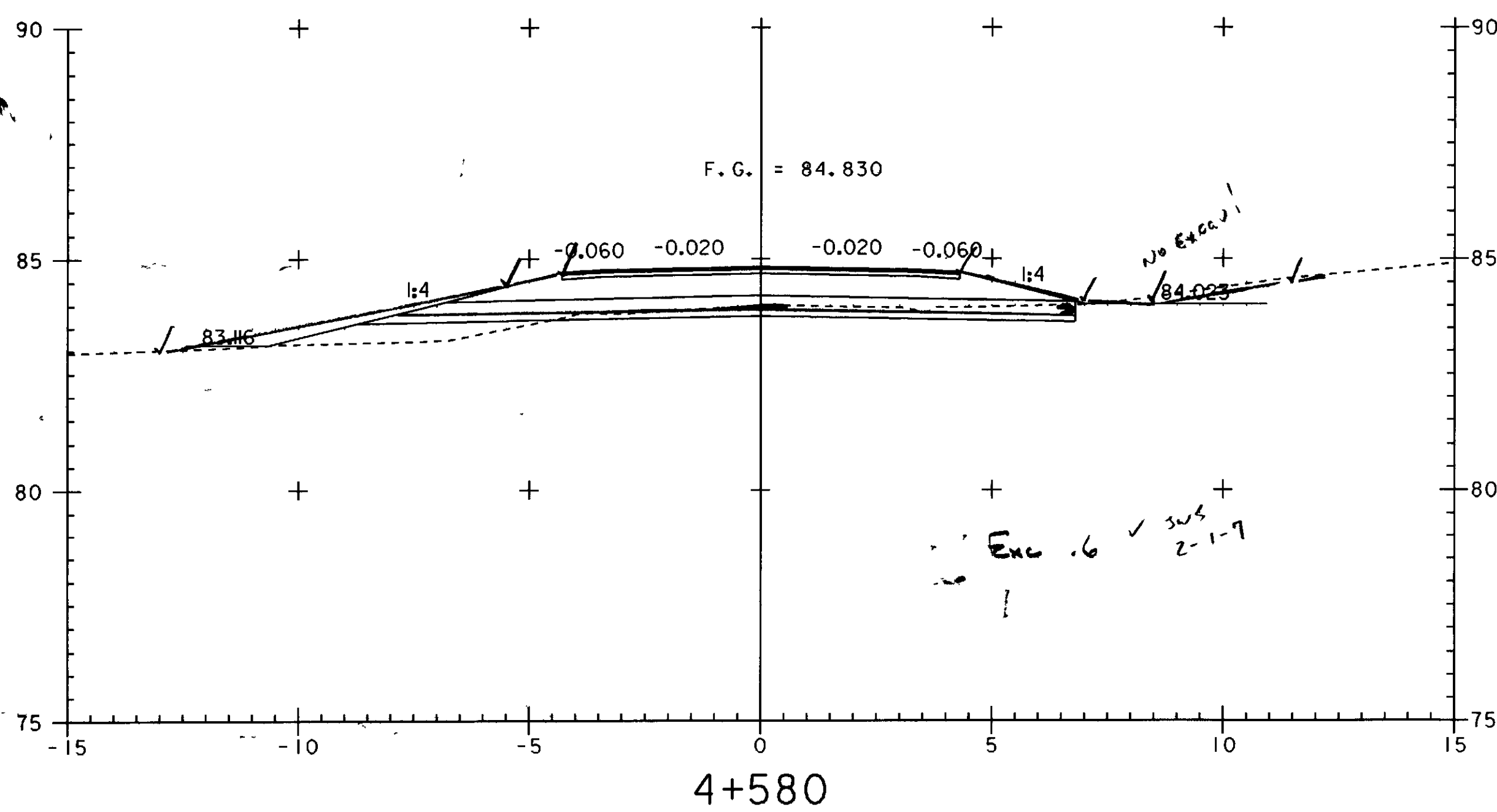


STA 4+595.800 END TAPER
 STA 4+593.620 END FULL DEPTH SAND (450MM) BEGIN TAPER



STA 4+632.500 END TAPER BEGIN FULL DEPTH SAND (450MM)
 STA 4+630.890 BEGIN TAPER



PROJECT NAME:	HIGHGATE - FRANKLIN
PROJECT NUMBER:	STP RS 030(I) SA
FILE NAME:	...85c060\design\dc060x06.dgn
PLOT DATE:	09-MAY-2005
PROJECT LEADER:	DELLASANTA
DRAWN BY:	SQUAD B
DESIGNED BY:	SQUAD B
CHECKED BY:	SQUAD B
IPARM FILE NAME:	dc060x068.1
	SHEET 344 OF 450