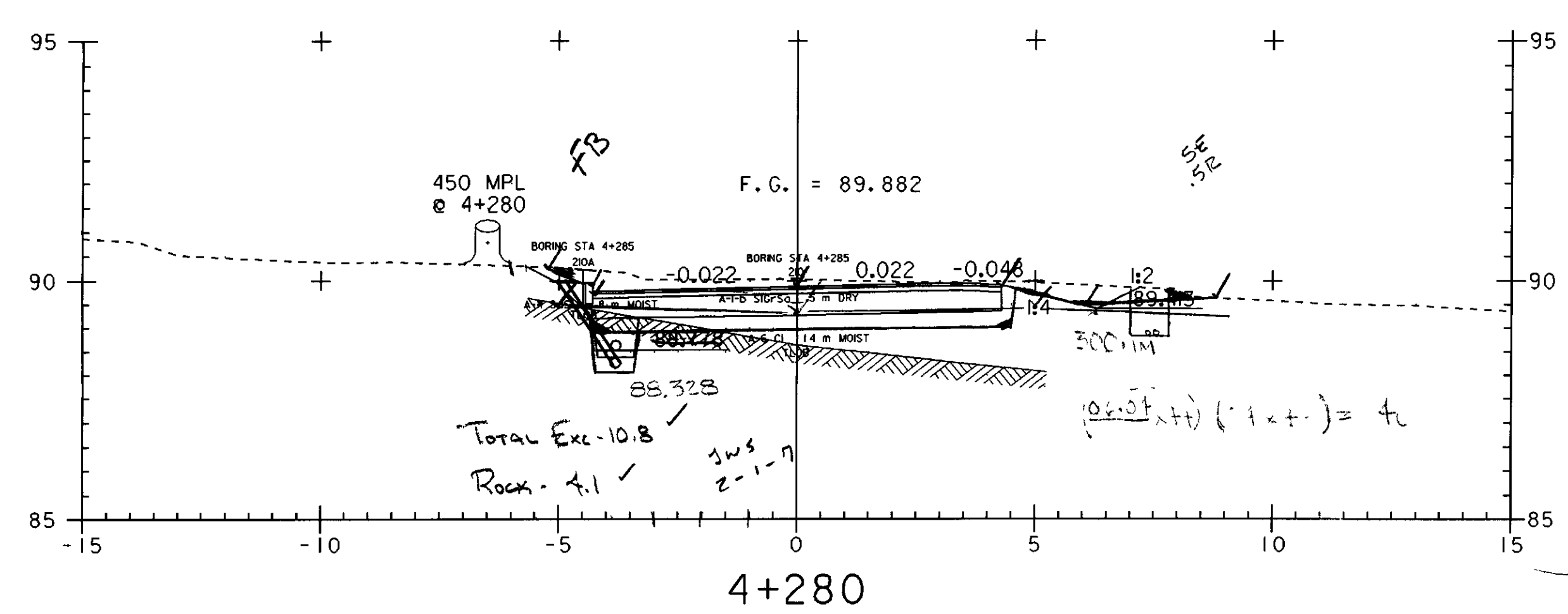
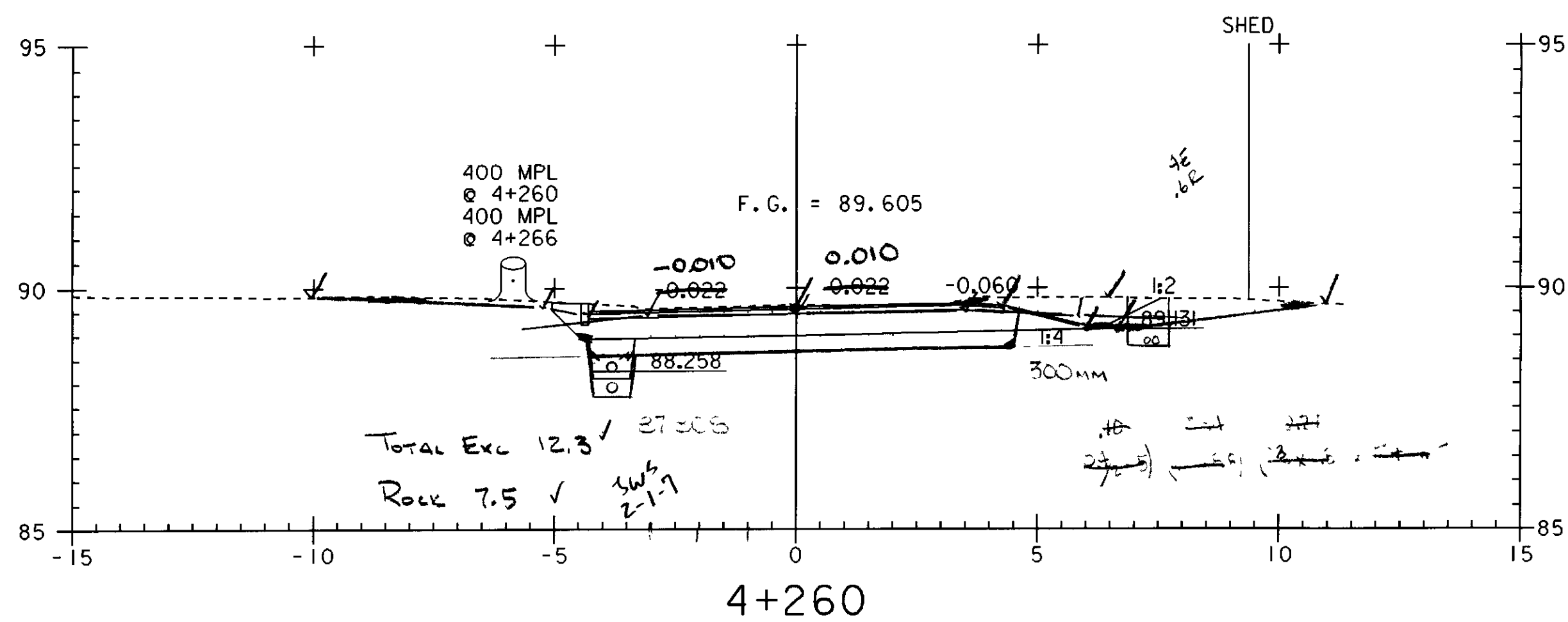


CONDUIT - Go to Pole 4+2862 (7.4 R) AND THEN CONTINUE UPSTATION



PROJECT NAME:	HIGHGATE - FRANKLIN
PROJECT NUMBER:	STP RS 0301(I) SA
FILE NAME:	...85c060\design\dc060x06.dgn
PLOT DATE:	09-MAY-2005
PROJECT LEADER:	DELLASANTA
DRAWN BY:	SQUAD B
DESIGNED BY:	SQUAD B
CHECKED BY:	SQUAD B
IPARM FILE NAME:	dc060x063.1
	SHEET 339 OF 450

9.5
2.4
"
3.3
1.6
4.1
1.9