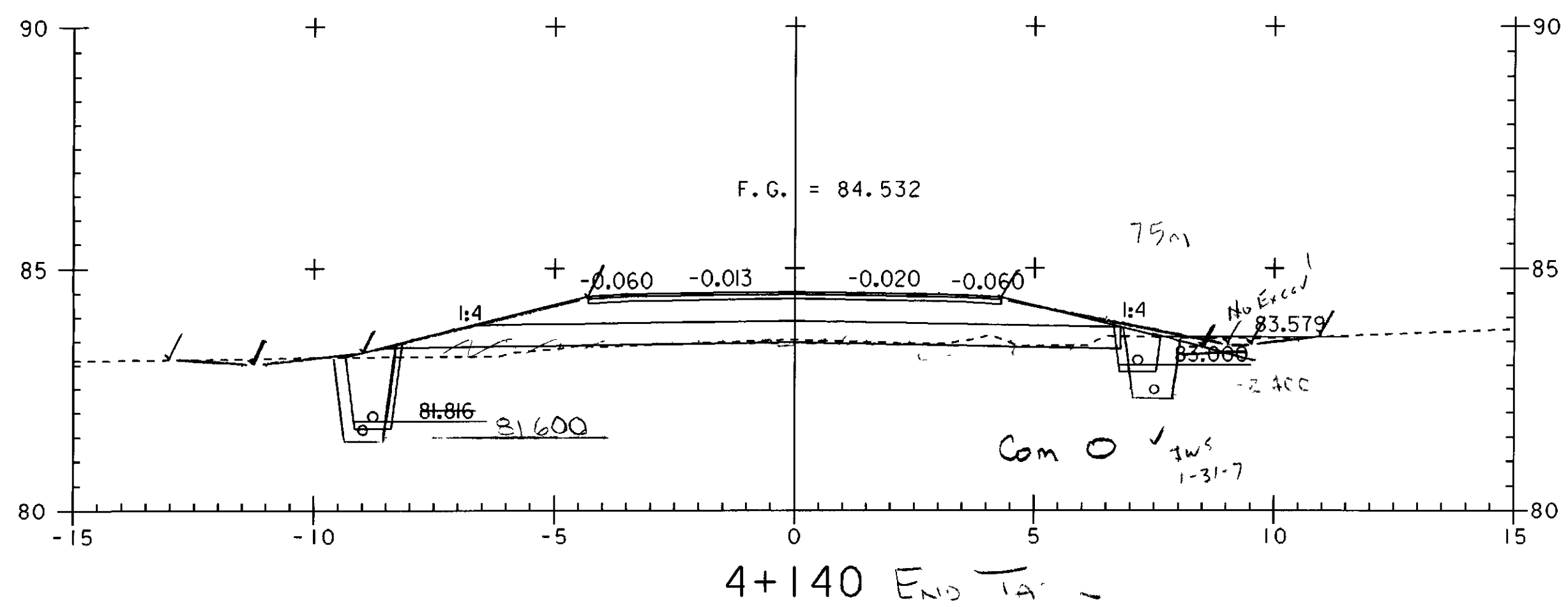
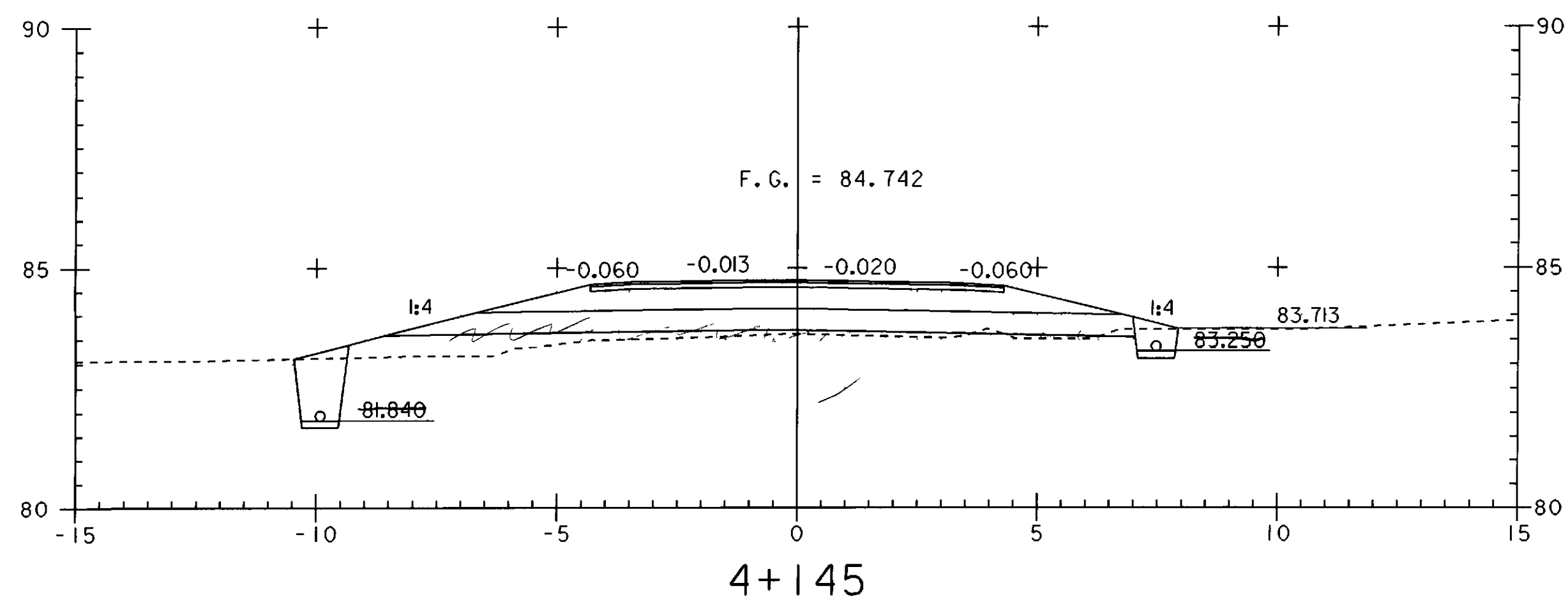
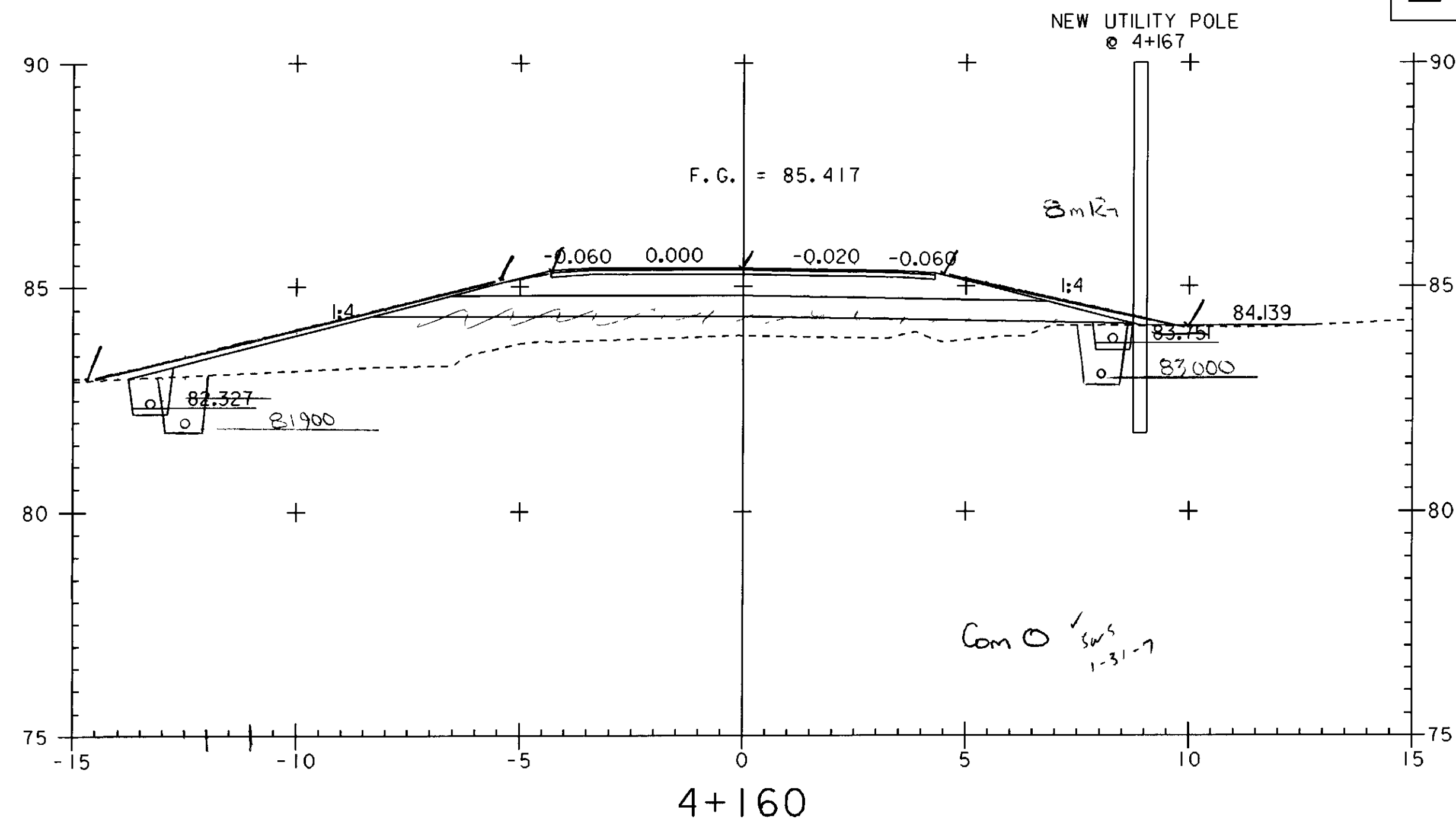
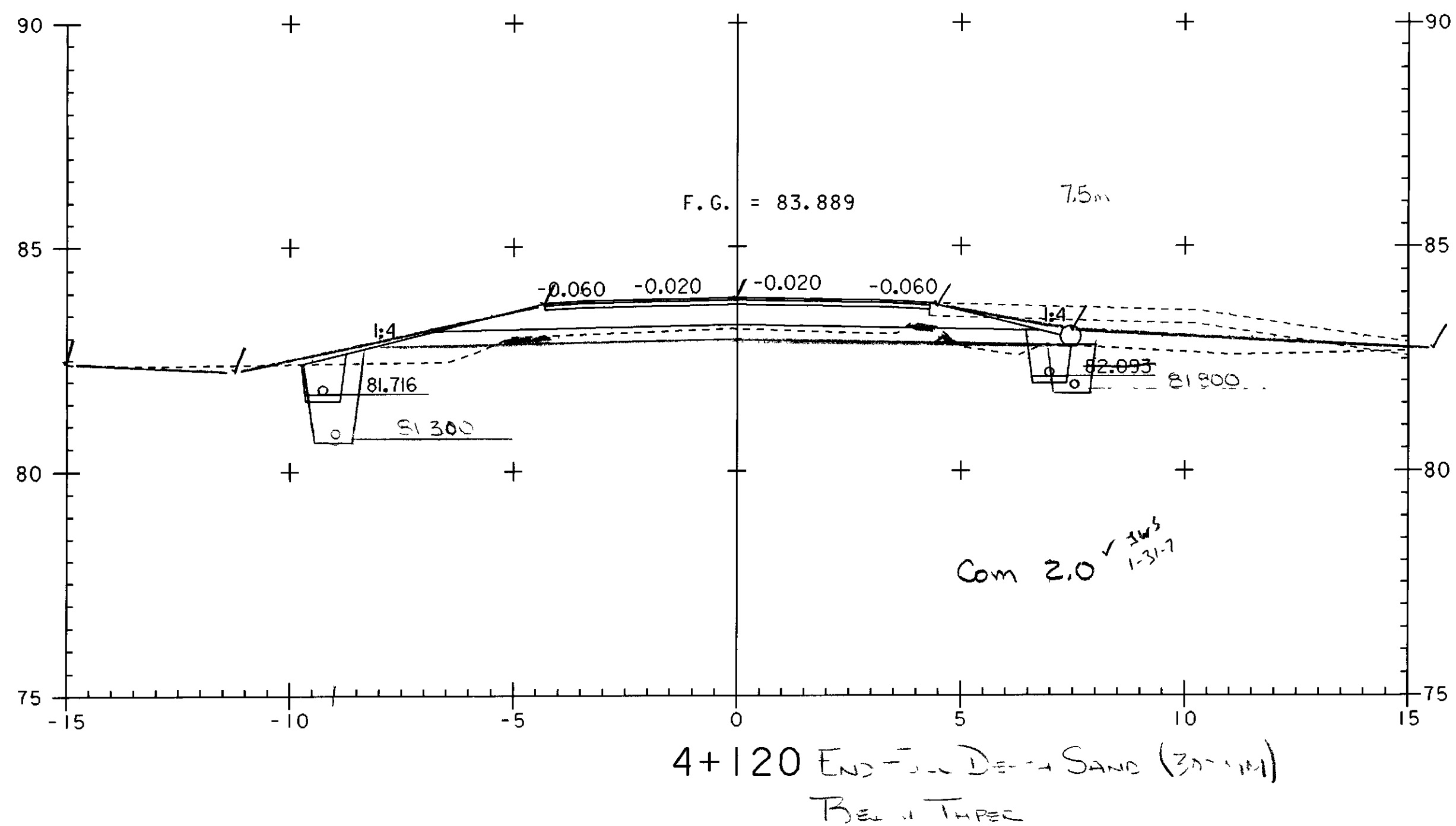


STA 4+24.560 END TAPER BEGIN FULL DEPTH SAND (450MM)  
STA 4+22.940 BEGIN TAPER



PROJECT NAME: HIGHGATE - FRANKLIN  
PROJECT NUMBER: STP RS 030(K) SA

FILE NAME: ...85c060\design\dc060x06.dgn PLOT DATE: 09-MAY-2005  
PROJECT LEADER: DELLASANTA DRAWN BY: SQUAD B  
DESIGNED BY: SQUAD B CHECKED BY: SQUAD B  
IPARM FILE NAME: dc060x06.I SHEET 337 OF 450