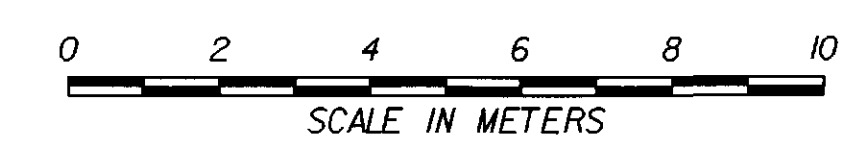
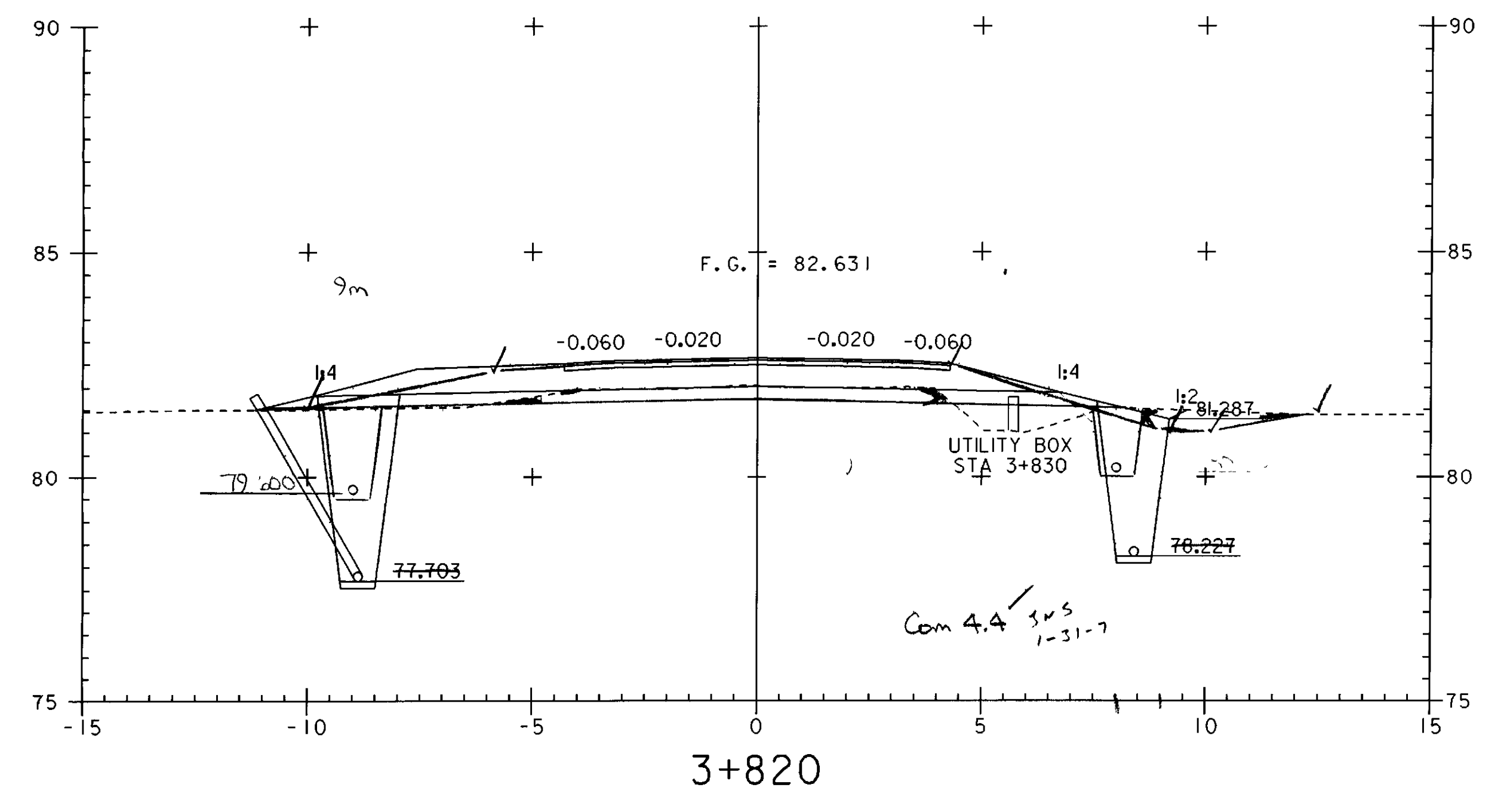
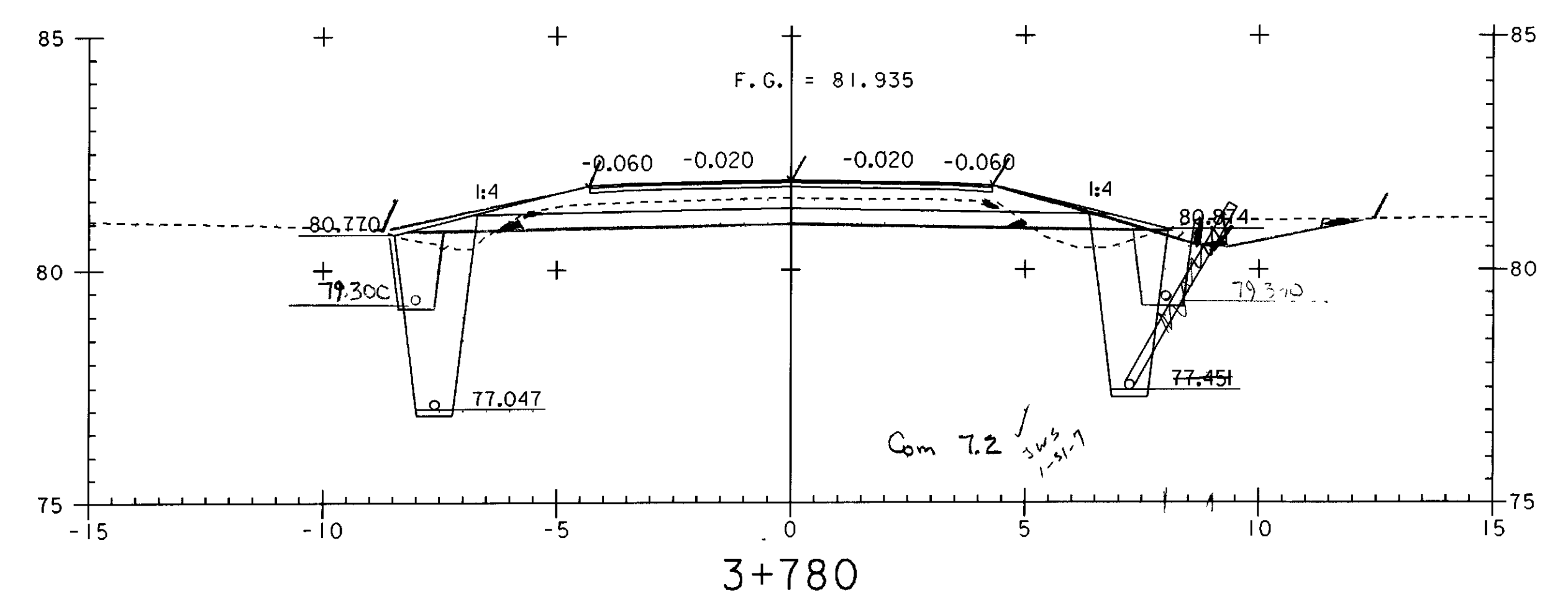
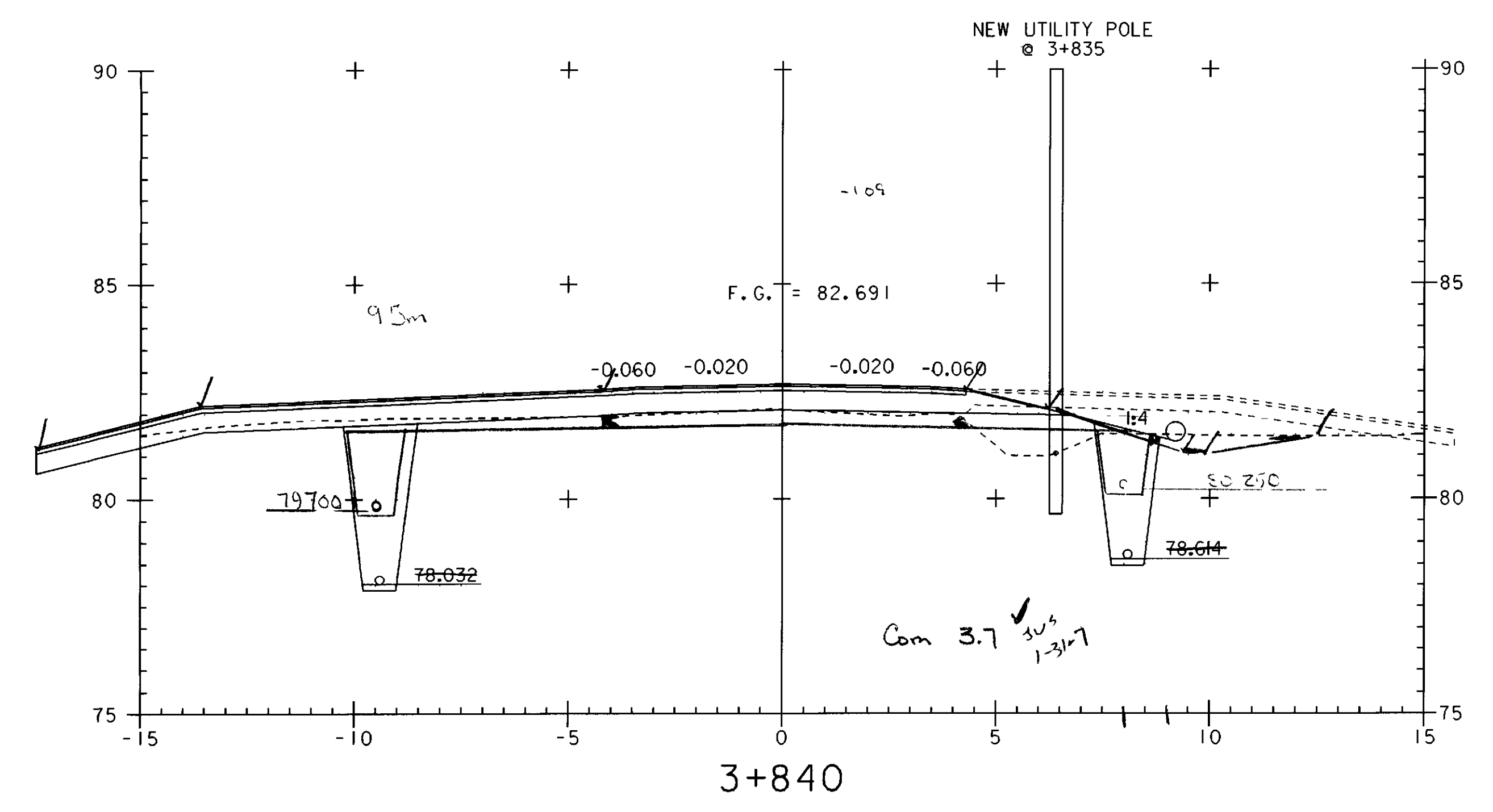
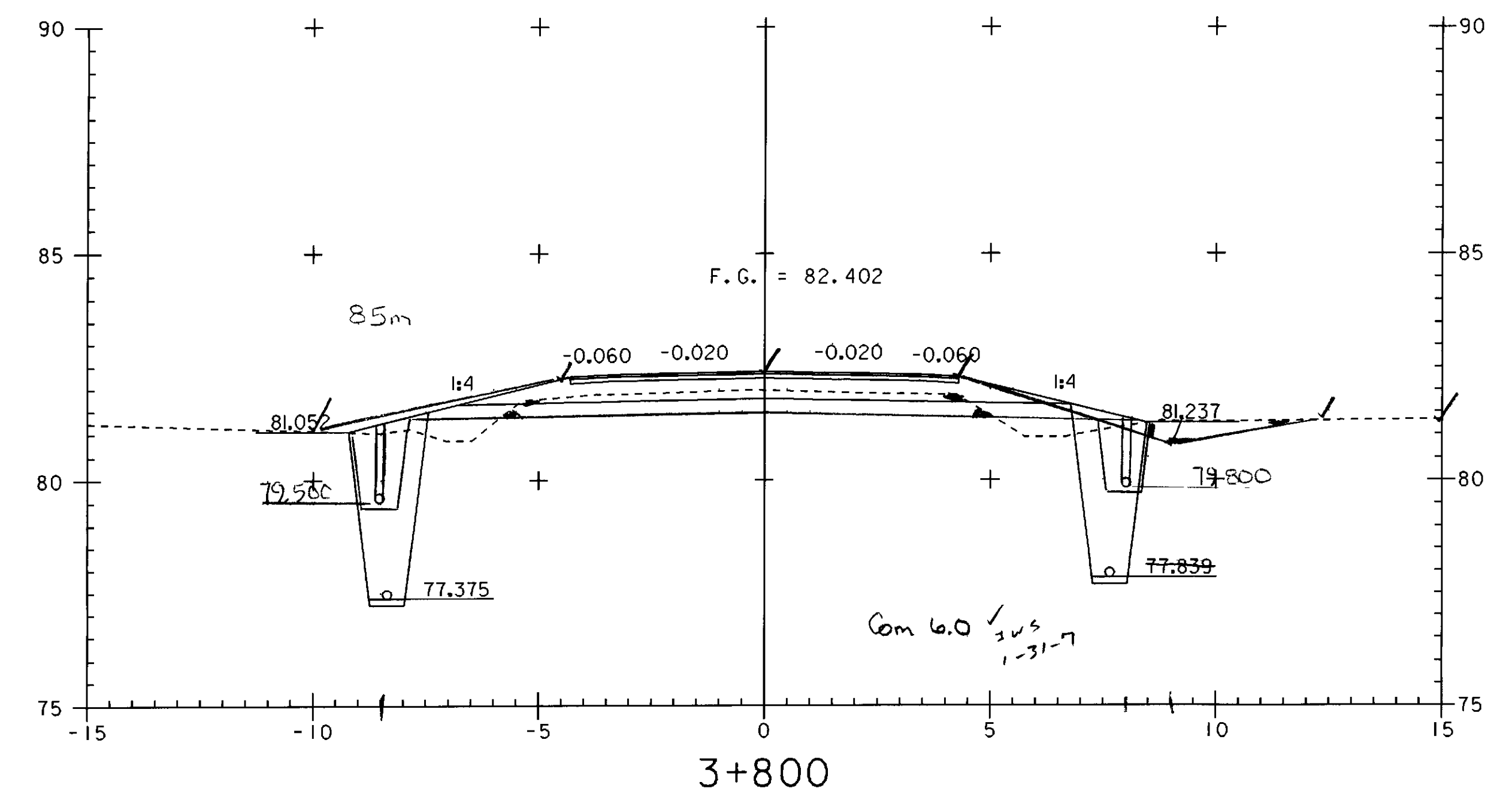
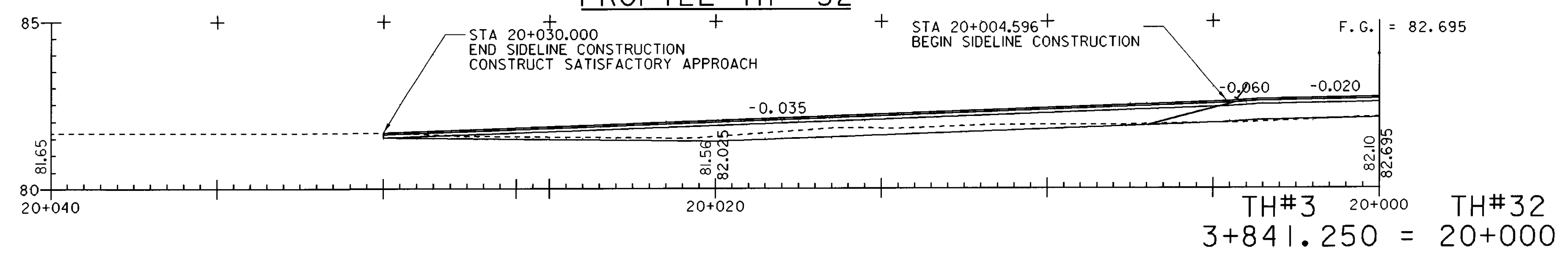




### PROFILE TH #32



PROJECT NAME:	HIGHGATE - FRANKLIN
PROJECT NUMBER:	STP RS 030(I) SA
FILE NAME:	...85c060\design\dc060x05.dgn
PROJECT LEADER:	DELLASANTA
DESIGNED BY:	SQUAD B
IPARM FILE NAME:	dc060x05I2.I
PLOT DATE:	09-MAY-2005
DRAWN BY:	SQUAD B
CHECKED BY:	SQUAD B
SHEET	331 OF 450

27