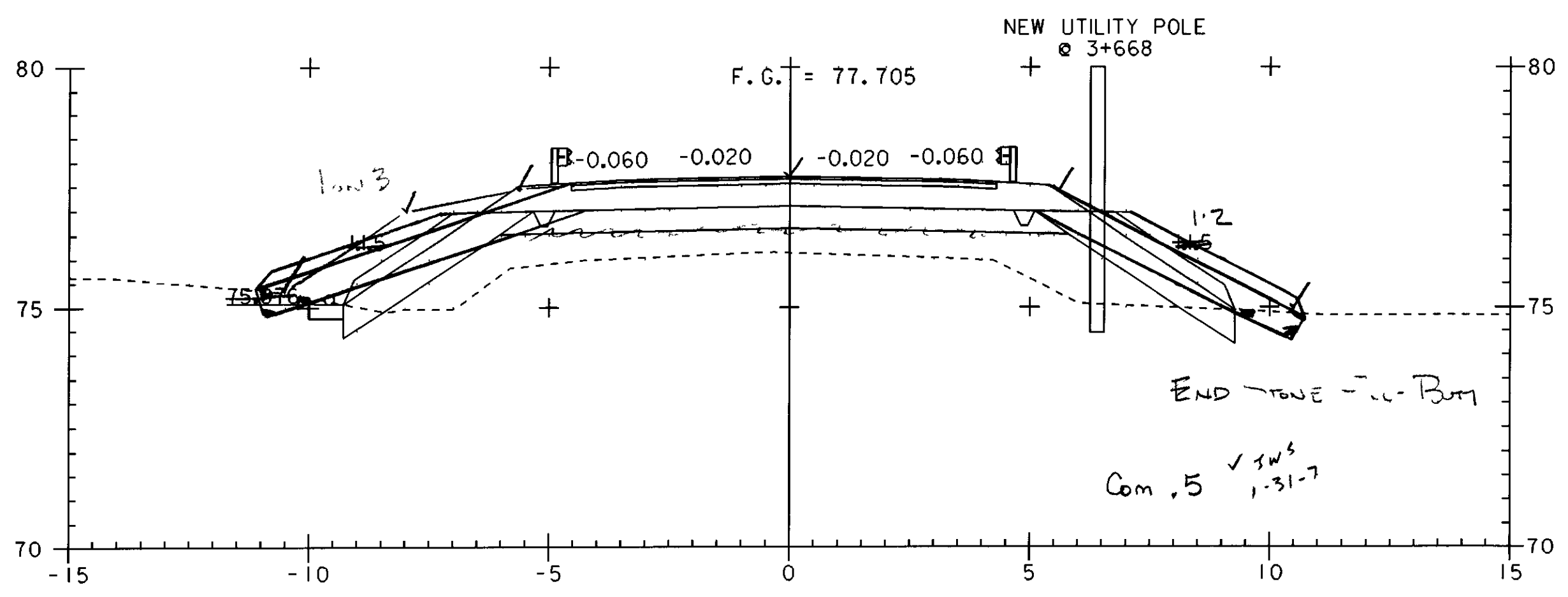
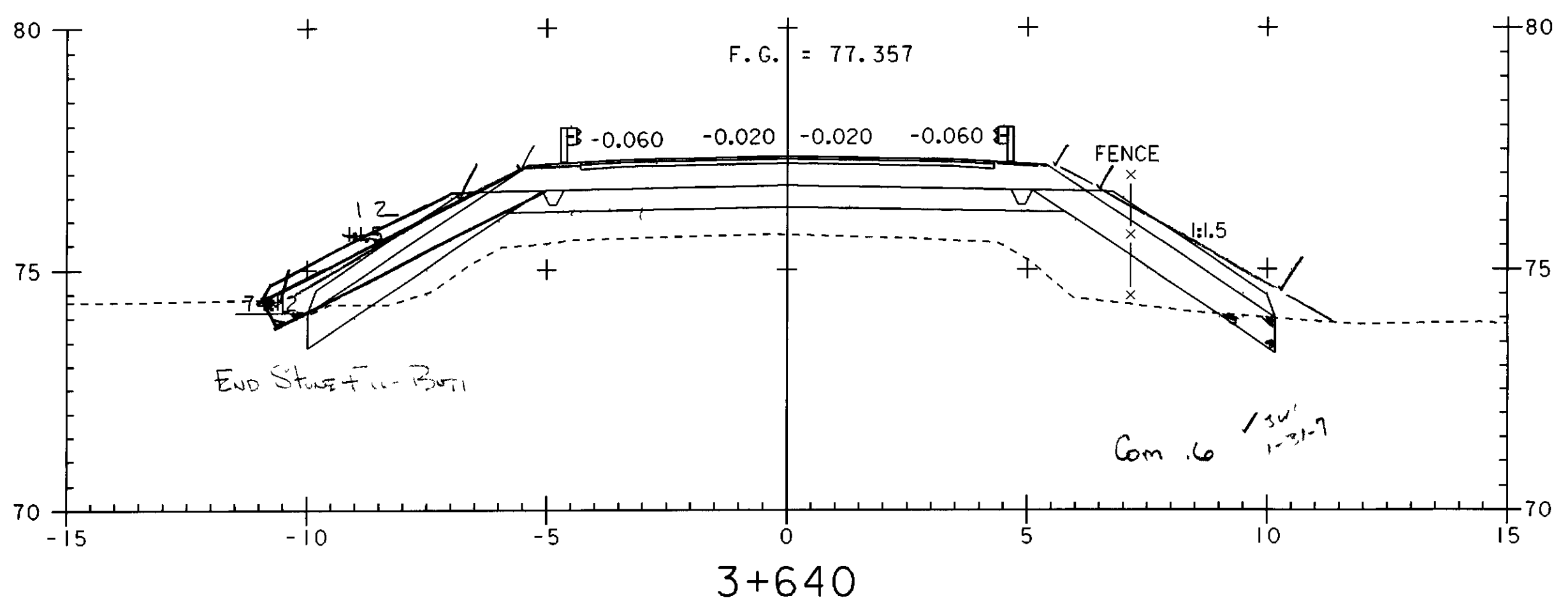


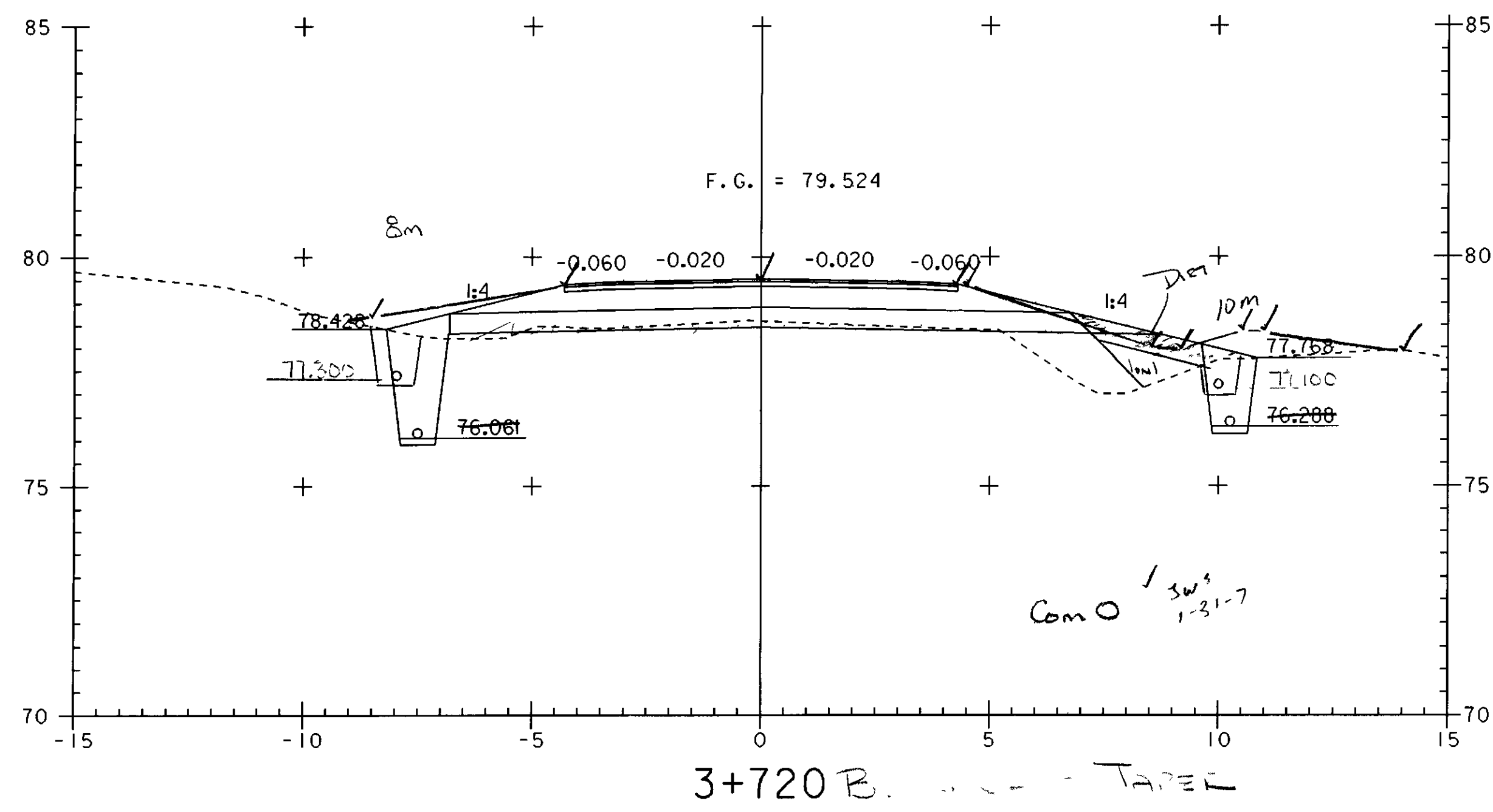
3+680
3+670 ± END GUARD RAIL



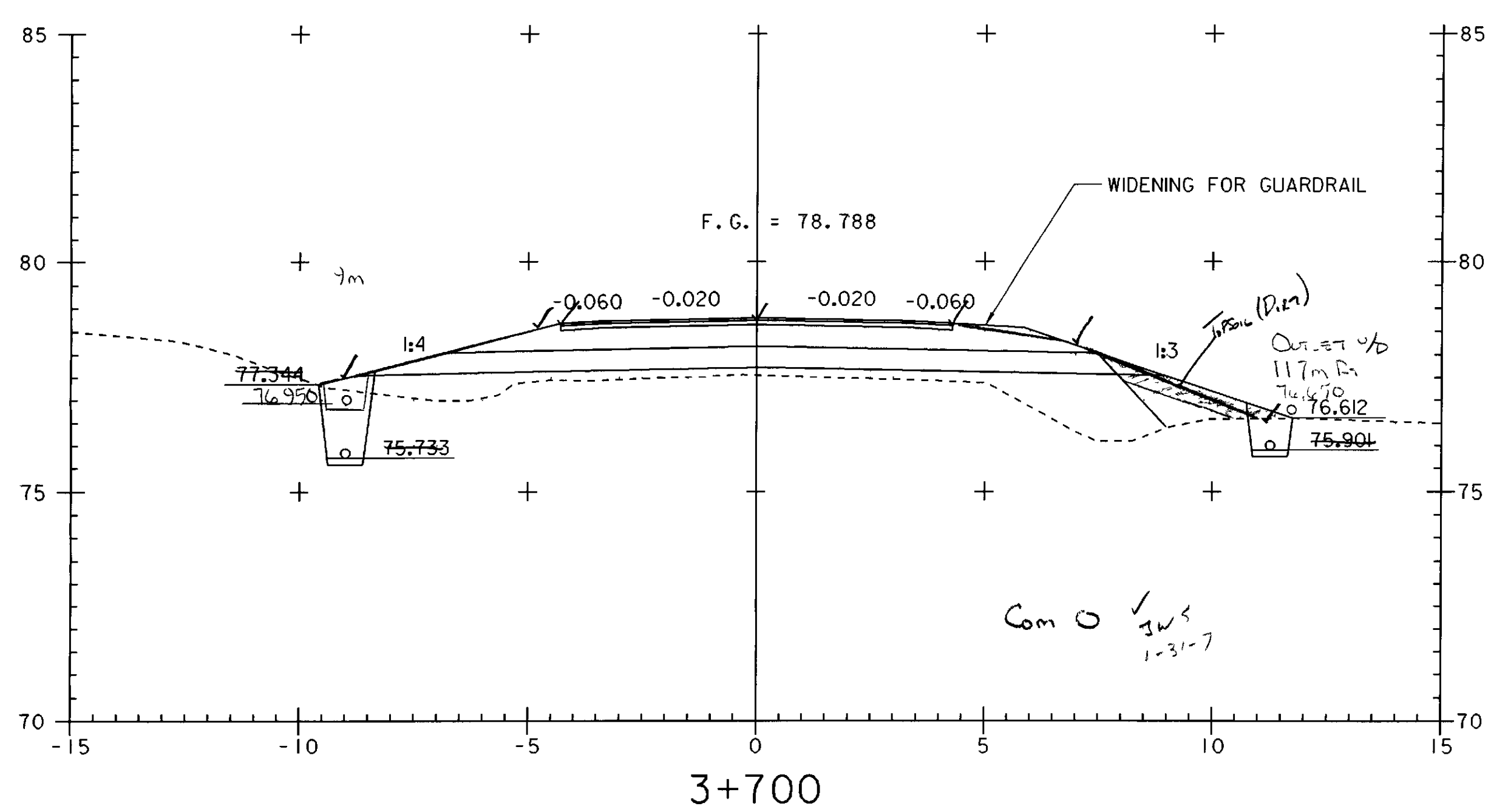
3+660
END TOWER - L - BURN
Com .5 1/3 1-31-7



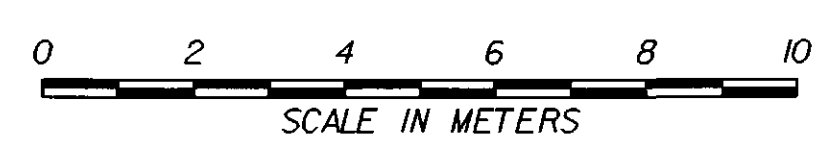
3+640
END STAKE - L - BURN
Com .6 1/3 1-31-7



3+720 B. TAPER
Com 0 1/3 1-31-7



3+700
Com 0 1/3 1-31-7



PROJECT NAME:	HIGHGATE - FRANKLIN
PROJECT NUMBER:	STP RS 0301(I) SA
FILE NAME:	...85c060\design\dc060x05.dgn
PROJECT LEADER:	DELLASANTA
DESIGNED BY:	SQUAD B
IPARM FILE NAME:	dc060x0510.1
PLOT DATE:	09-MAY-2005
DRAWN BY:	SQUAD B
CHECKED BY:	SQUAD B
SHEET	329 OF 450