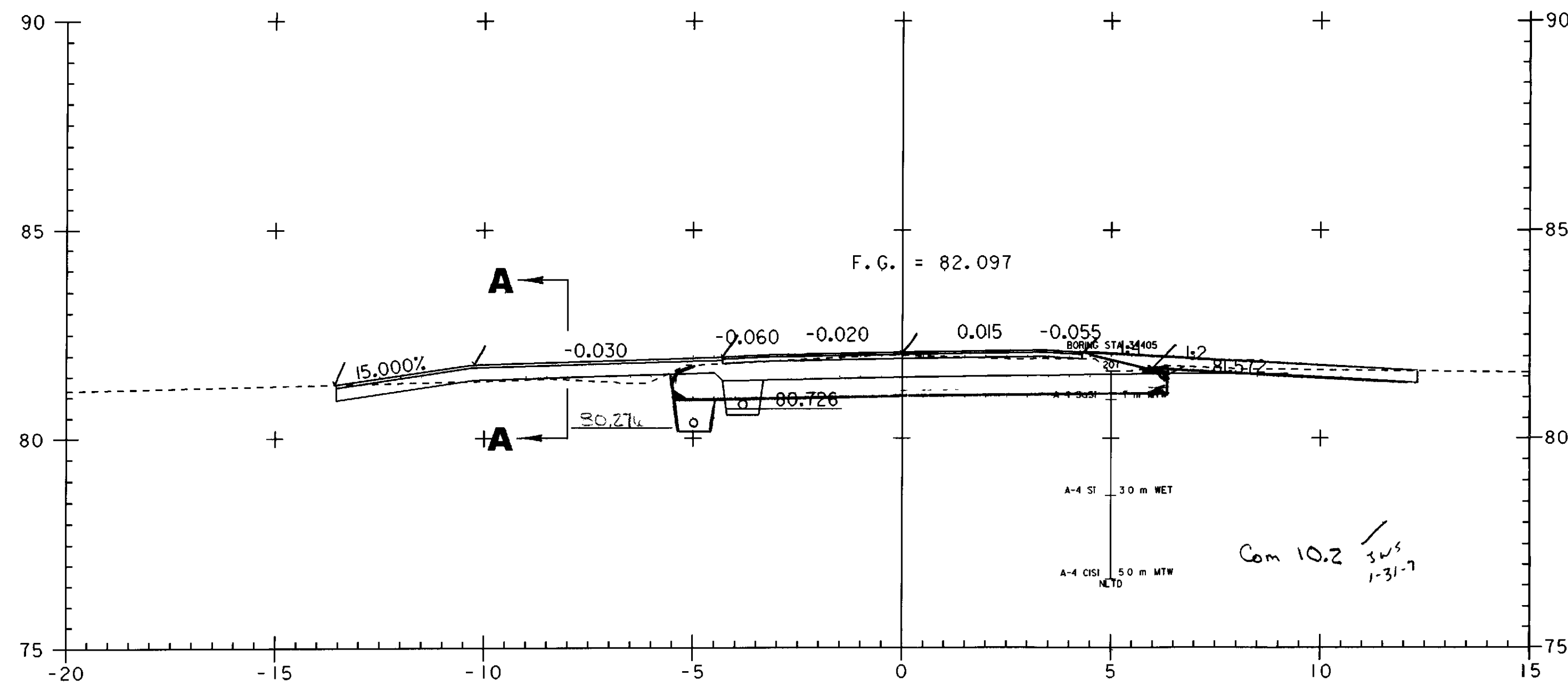
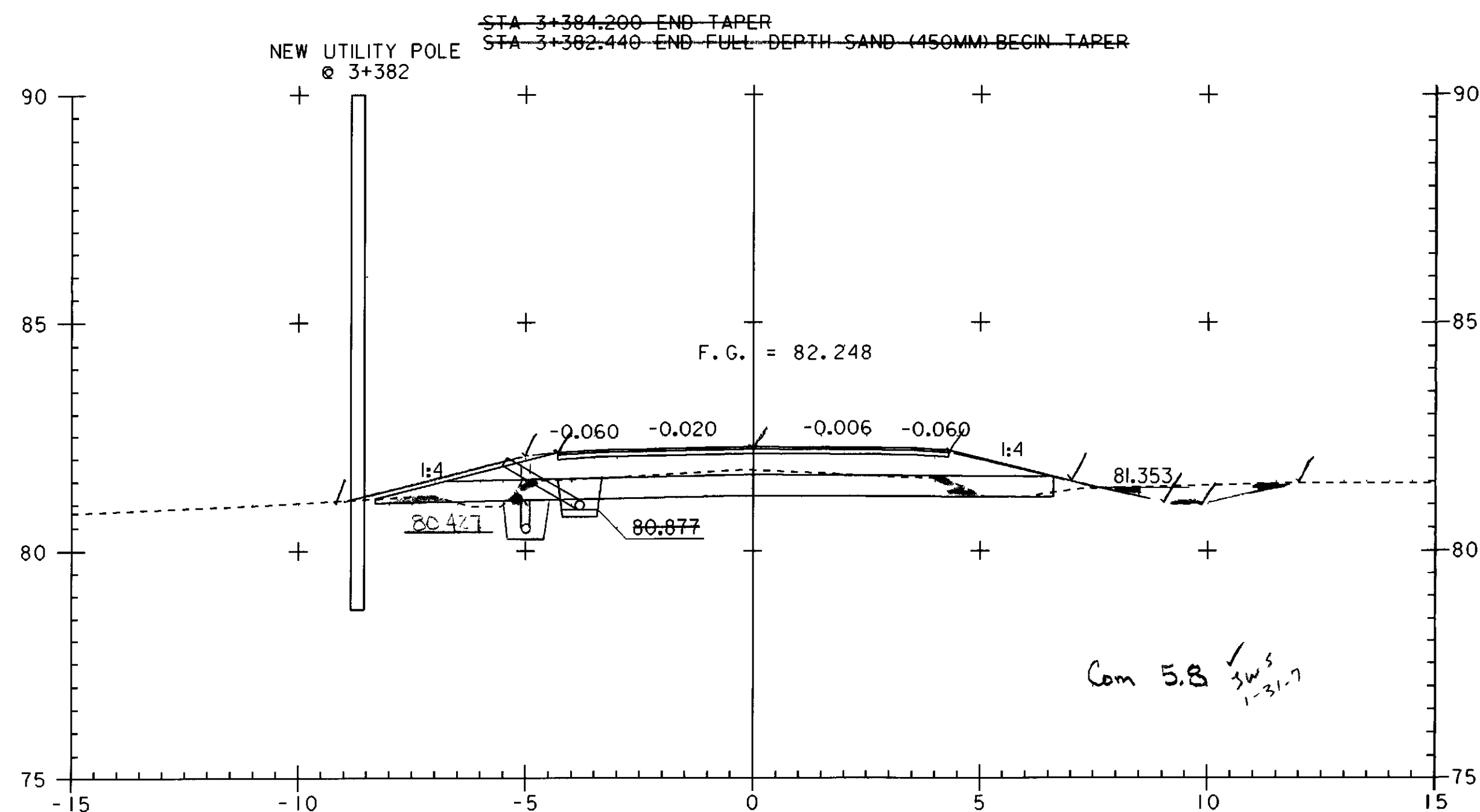


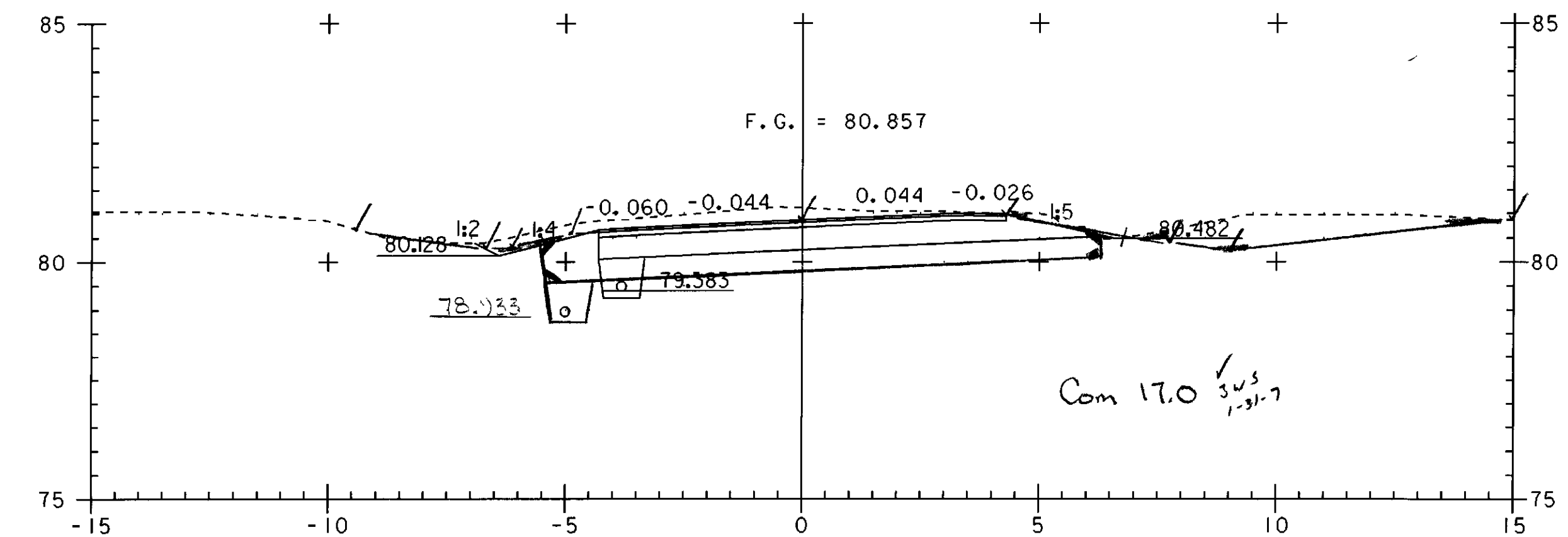
DRIVE AT 3+400 LT
A - A



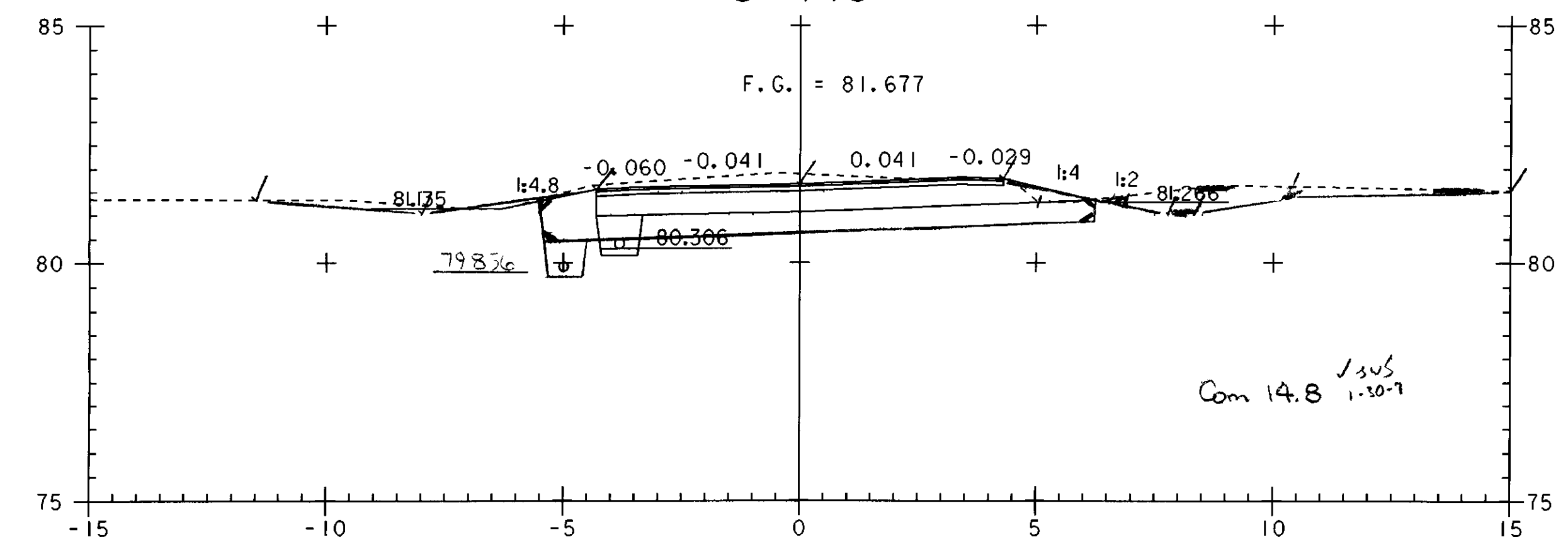
3+400



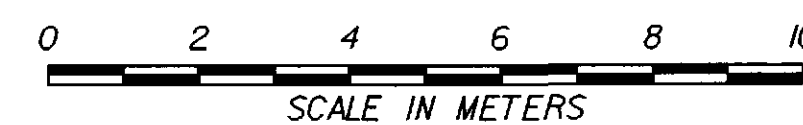
3+380 BEGIN FULL DEPTH SAND (450MM)



3+440



3+420



PROJECT NAME: HIGHGATE - FRANKLIN
PROJECT NUMBER: STP RS 030(I) SA

FILE NAME: ...85c060\design\dc060x05.dgn PLOT DATE: 09-MAY-2005
PROJECT LEADER: DELLASANTA DRAWN BY: SQUAD B
DESIGNED BY: SQUAD B CHECKED BY: SQUAD B
IPARM FILE NAME: dc060x055.i SHEET 324 OF 450