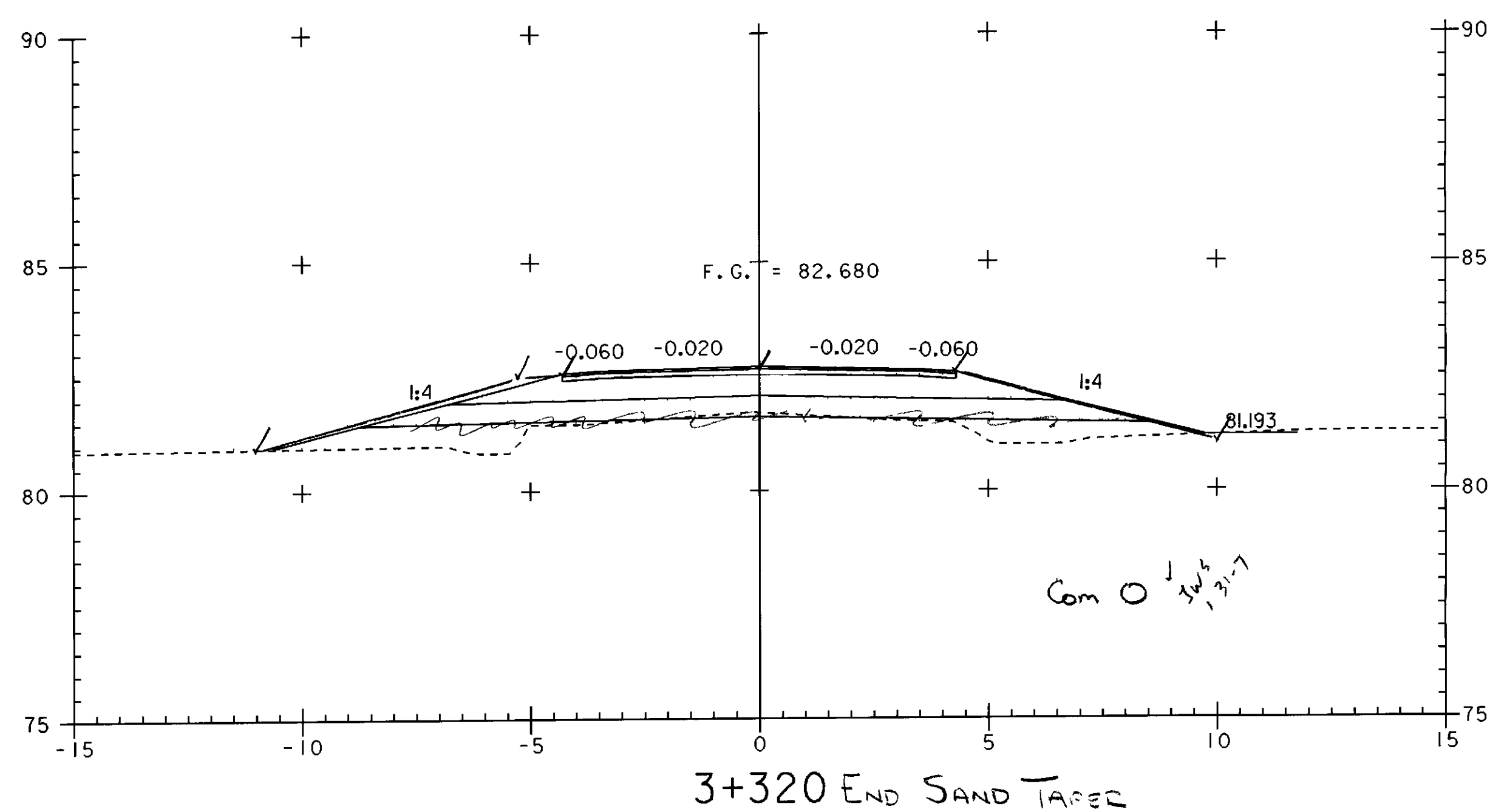
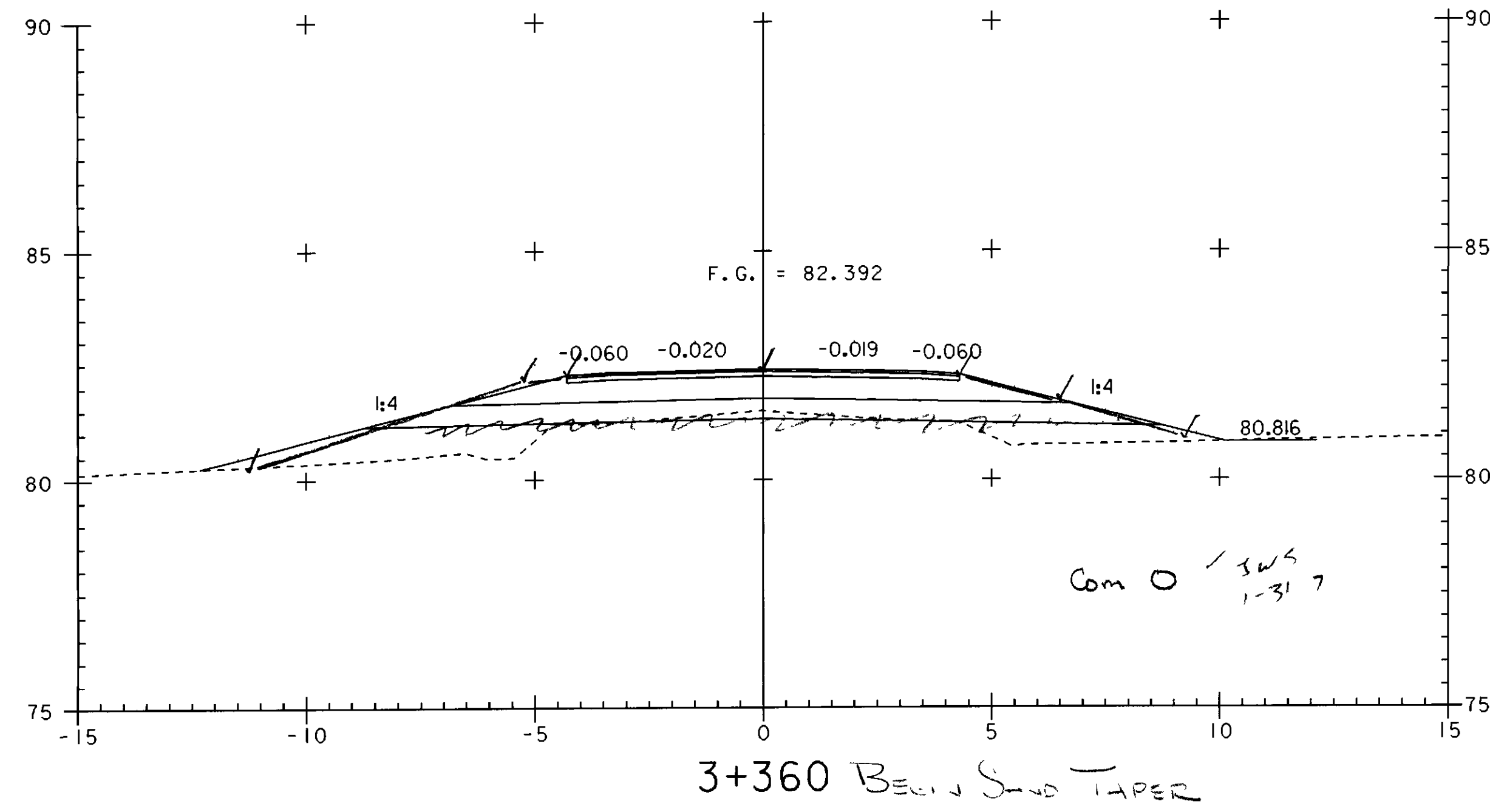


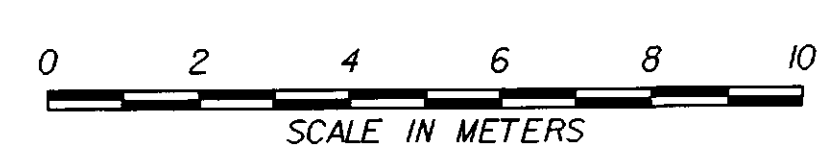
3+340



3+320 END SAND TAPER



3+360 BEING SAND TAPER



PROJECT NAME:	HIGHGATE - FRANKLIN	FILE NAME:	...85c060\design\dc060x05.dgn	PLOT DATE:	09-MAY-2005
PROJECT NUMBER:	STP RS 030(I) SA	PROJECT LEADER:	DELLASANTA	DRAWN BY:	SQUAD B
		DESIGNED BY:	SQUAD B	CHECKED BY:	SQUAD B
		IPARM FILE NAME:	dc060x054.1	SHEET	323 OF 450