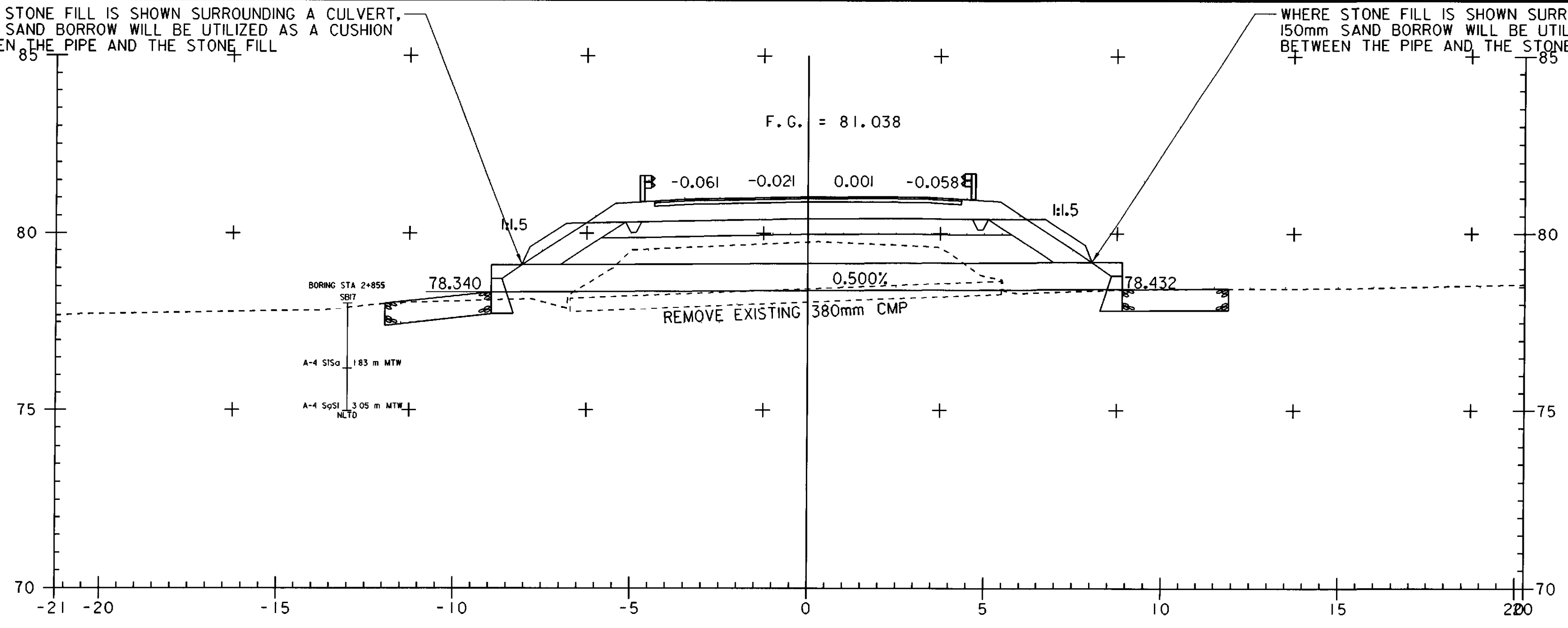
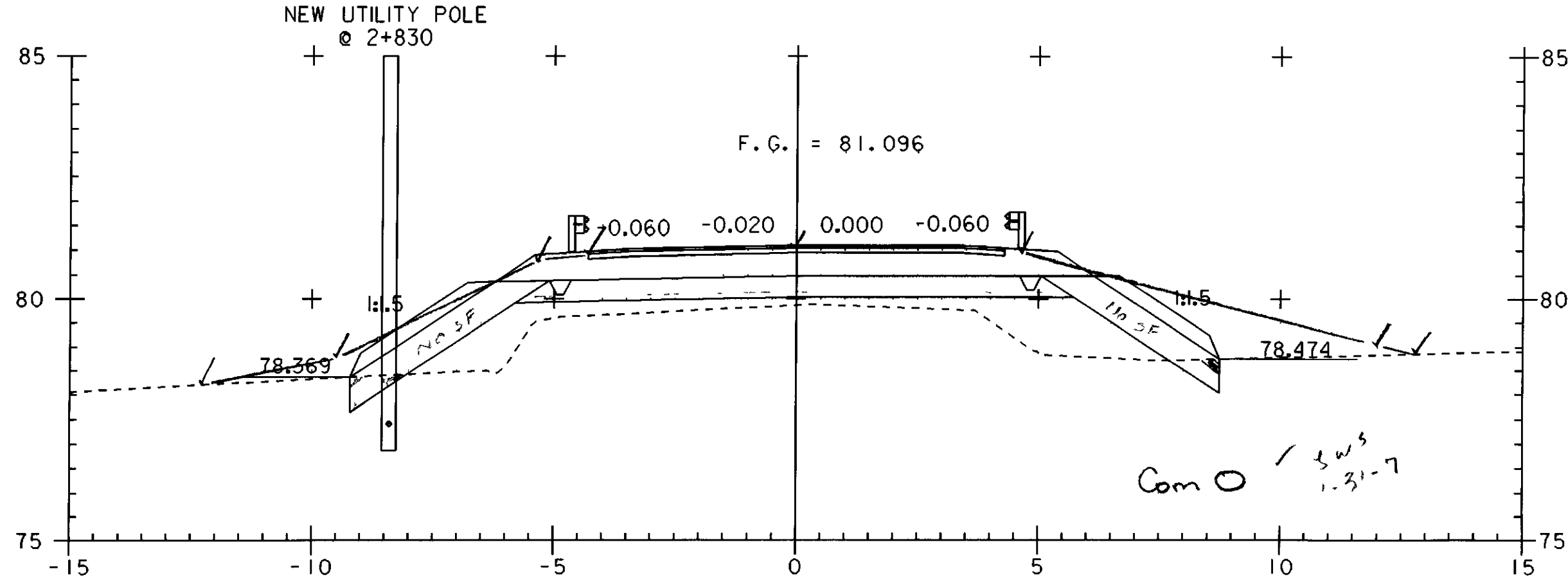


WHERE STONE FILL IS SHOWN SURROUNDING A CULVERT, 150mm SAND BORROW WILL BE UTILIZED AS A CUSHION BETWEEN THE PIPE AND THE STONE FILL

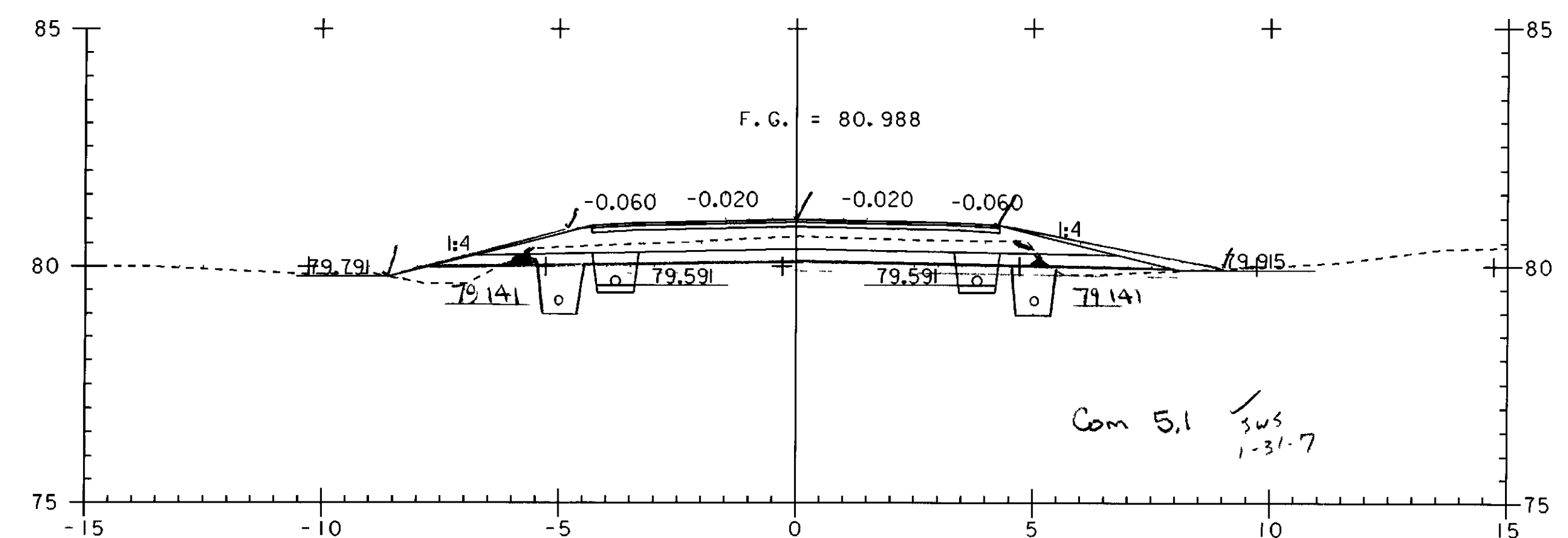
WHERE STONE FILL IS SHOWN SURROUNDING A CULVERT, 150mm SAND BORROW WILL BE UTILIZED AS A CUSHION BETWEEN THE PIPE AND THE STONE FILL



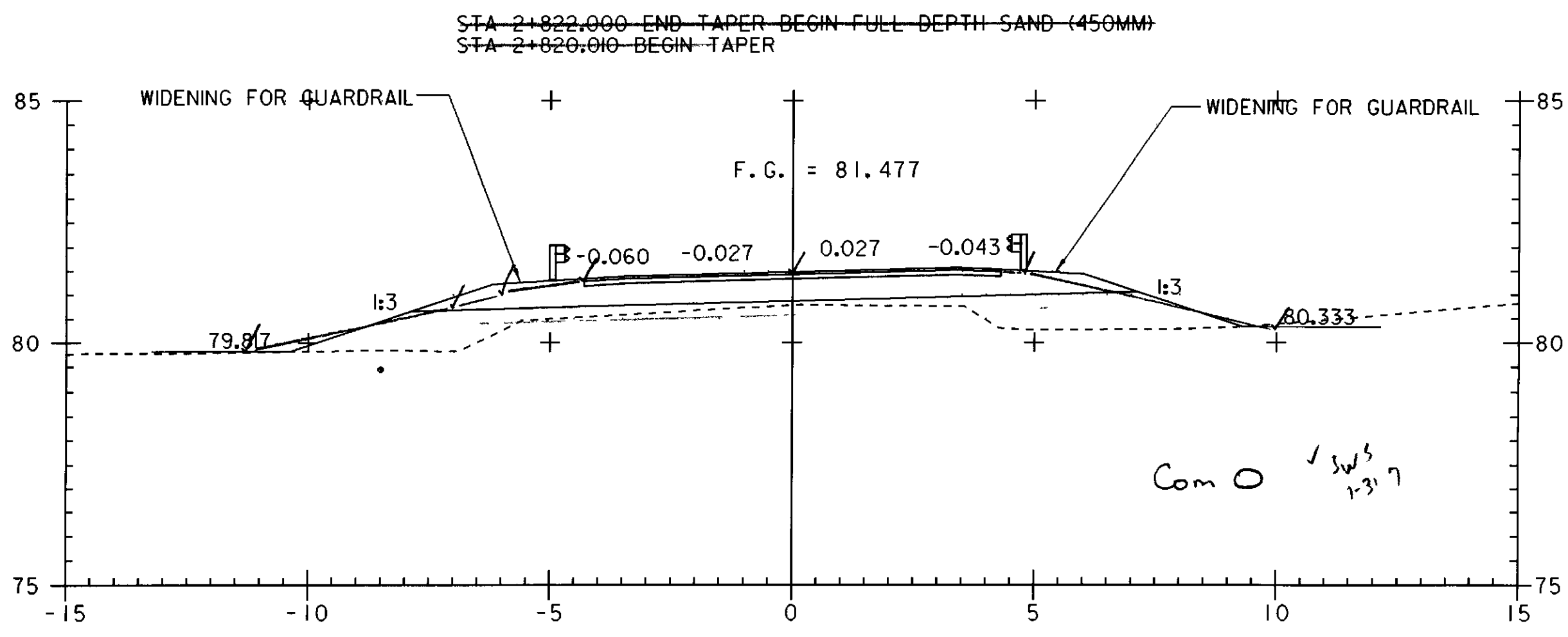
2+847
ASKEW 82°-04'-47" LT



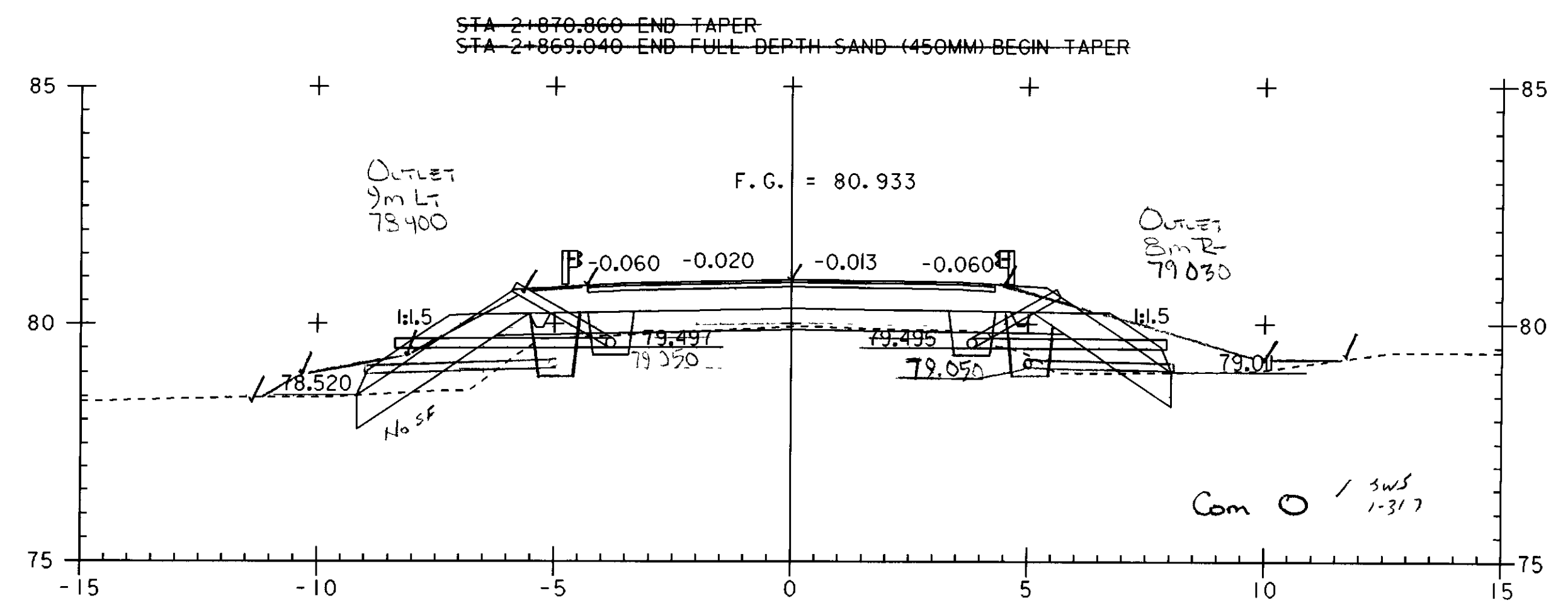
2+840



2+880 BEGIN FULL DEPTH SAND (450MM)



2+820



2+860 ZERO STONE



PROJECT NAME:	HIGHGATE - FRANKLIN	PLOT DATE:	09-MAY-2005
PROJECT NUMBER:	STP RS 030(I) SA	DRAWN BY:	SQUAD B
FILE NAME:	...85c060\design\dc060x04.dgn	DESIGNED BY:	SQUAD B
PROJECT LEADER:	DELLASANTA	CHECKED BY:	SQUAD B
IPARM FILE NAME:	dc060x04i.1	SHEET	316 OF 450