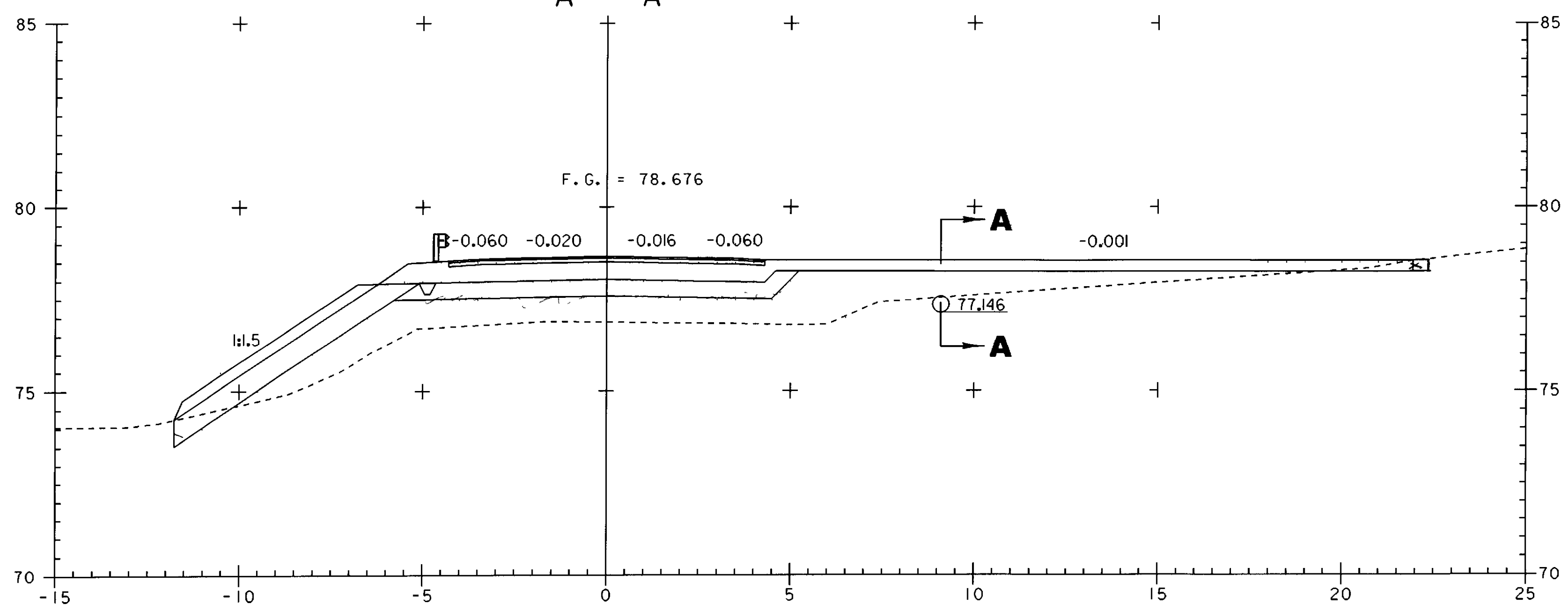
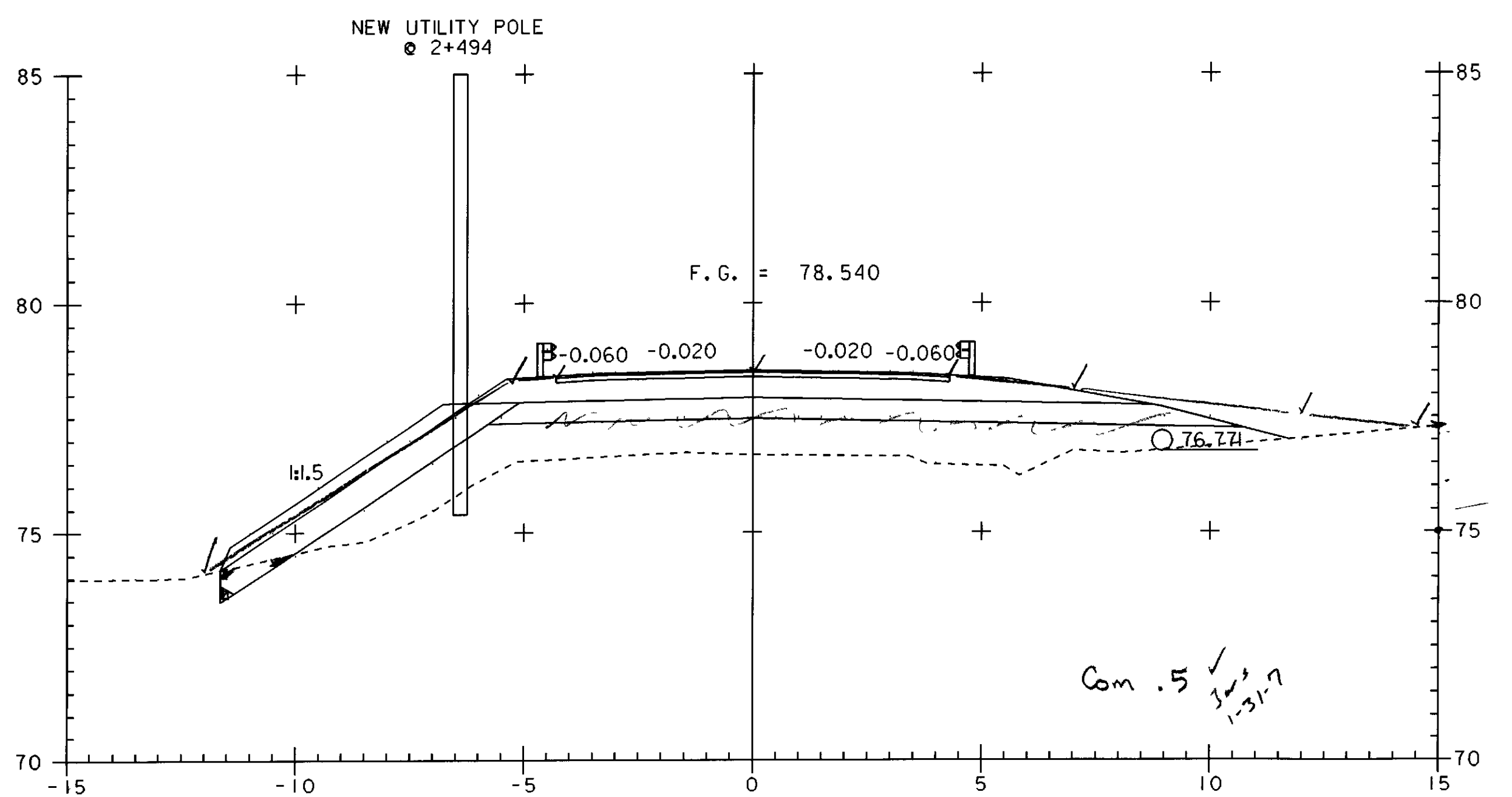


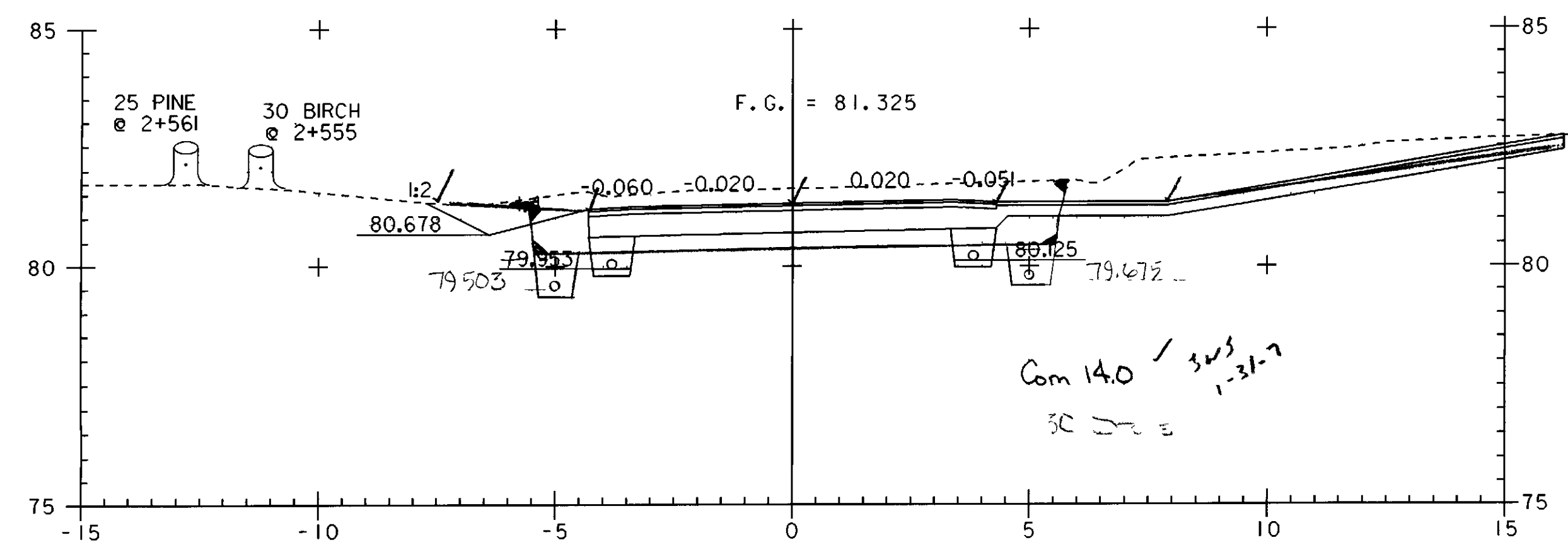
DRIVE AT 2+506 RT
 A - A



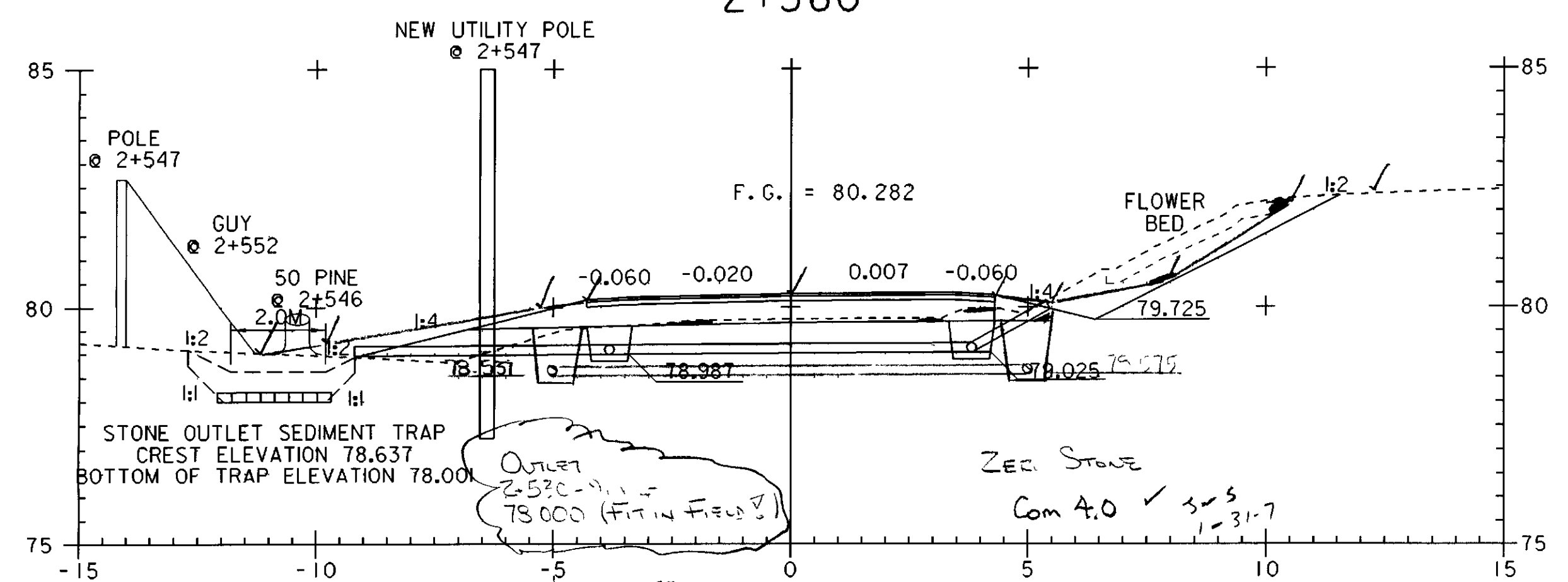
2+506



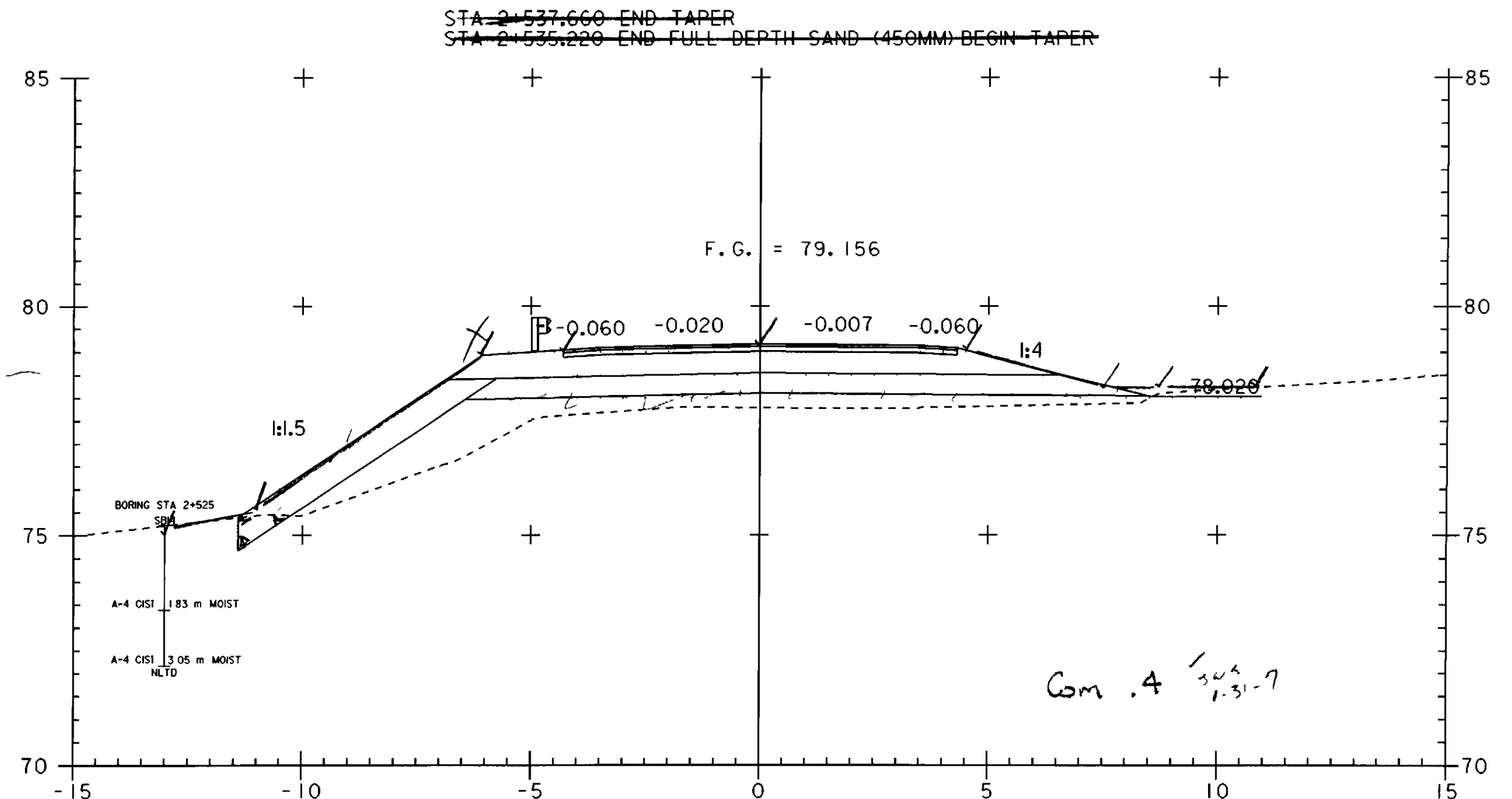
2+500



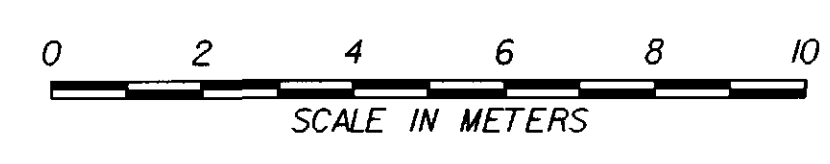
2+560



2+540



2+520



PROJECT NAME:	HIGHGATE - FRANKLIN
PROJECT NUMBER:	STP RS 030(I) SA
FILE NAME:	...85c060\design\dc060x04.dgn
PLOT DATE:	09-MAY-2005
PROJECT LEADER:	DELLASANTA
DRAWN BY:	SQUAD B
DESIGNED BY:	SQUAD B
CHECKED BY:	SQUAD B
IPARM FILE NAME:	dc060x049.i
SHEET	311 OF 450