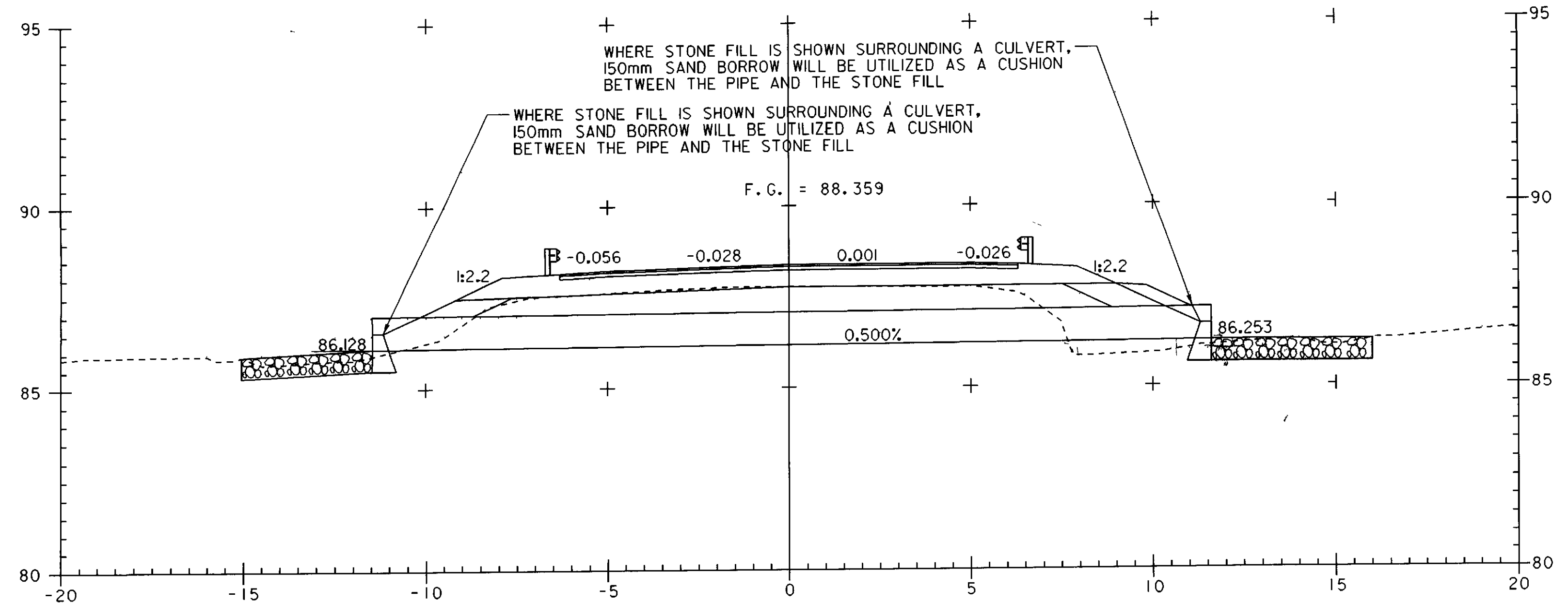
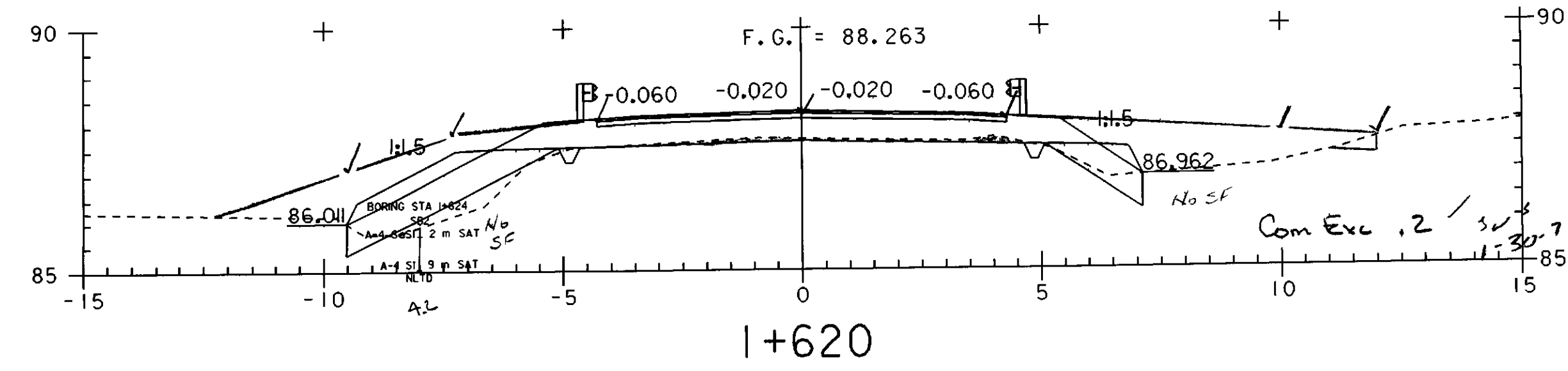
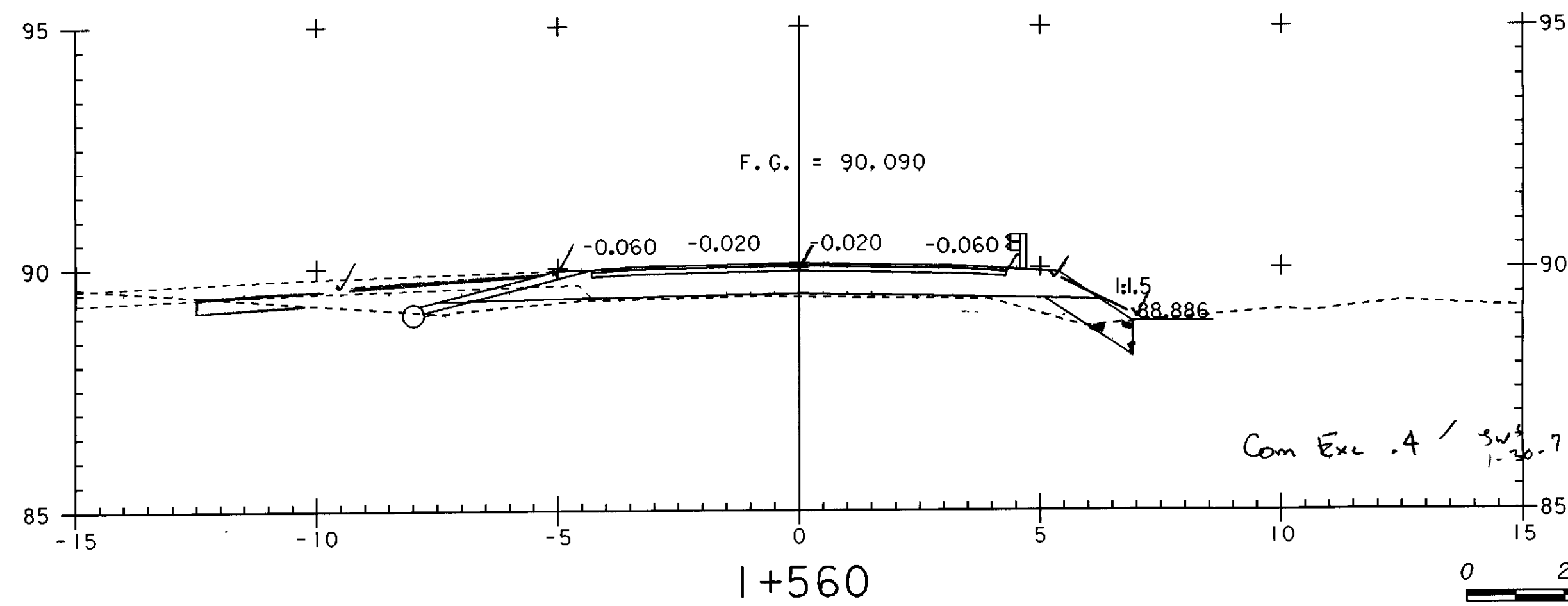
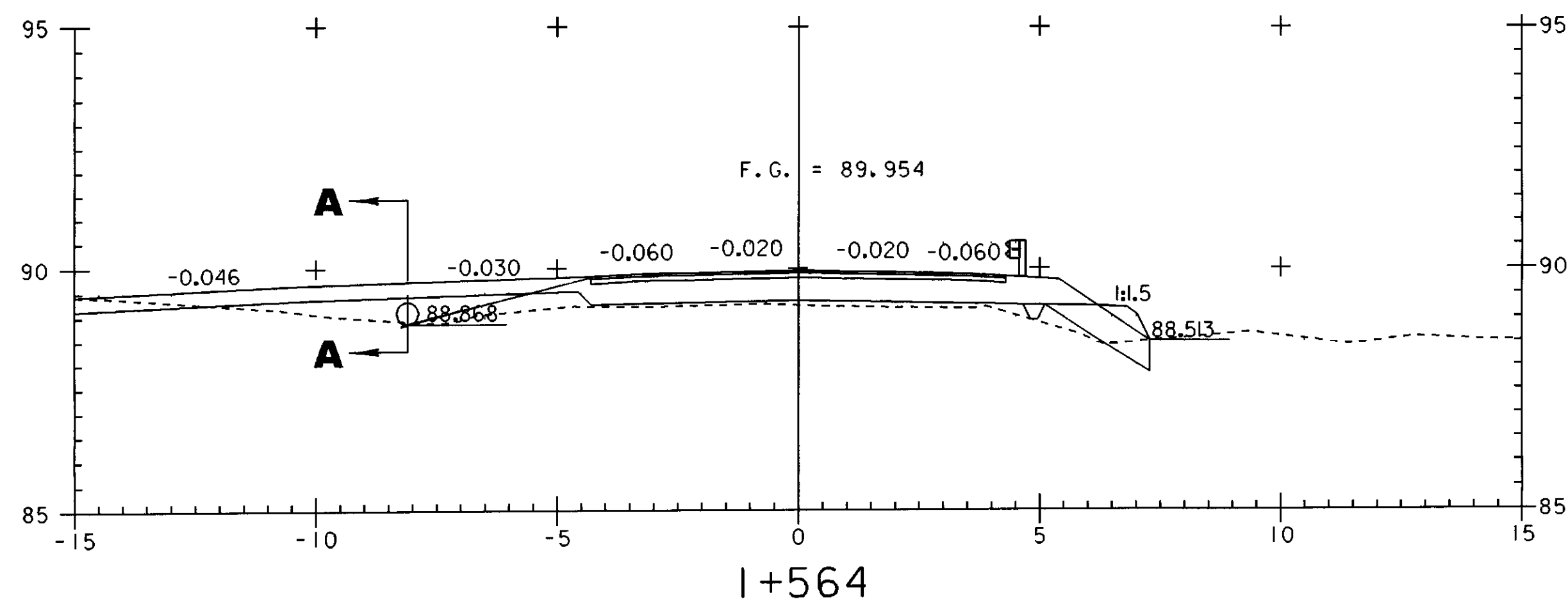
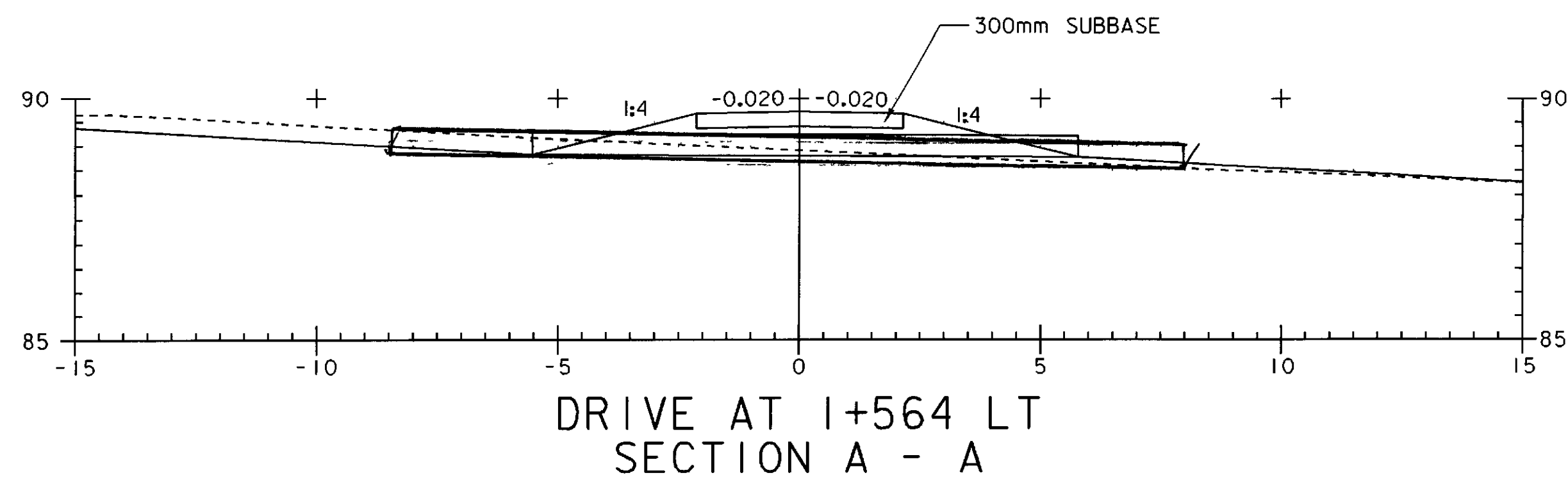
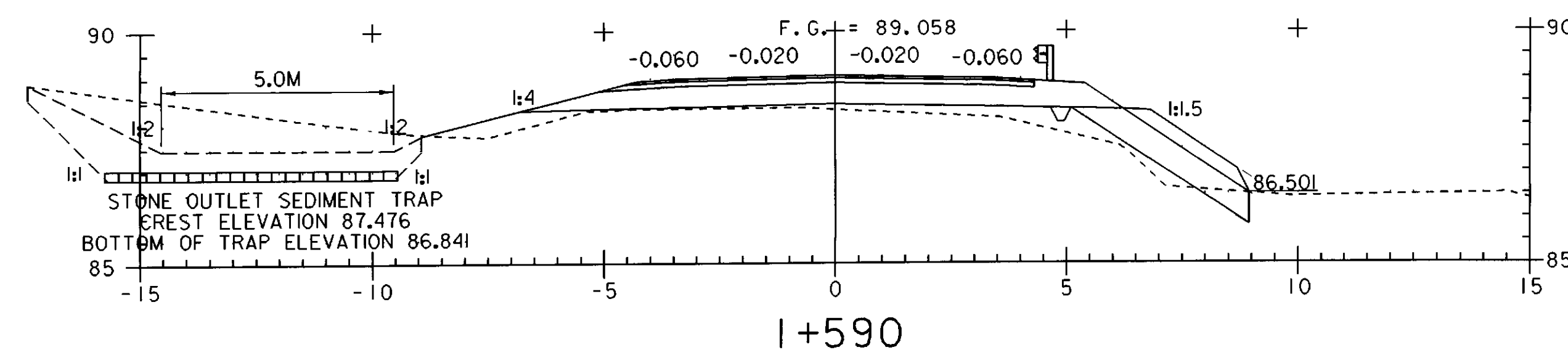
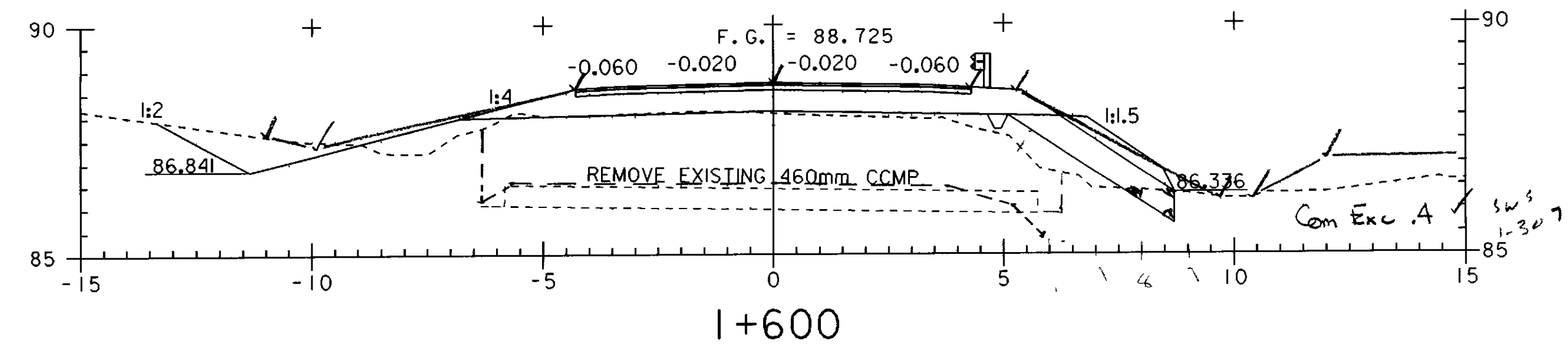


STA I+579.892 END FULL DEPTH SAND (450MM) BEGIN TAPER
 STA I+569.982 END TAPER BEGIN FULL DEPTH SAND (450MM)
 STA I+567.888 BEGIN TAPER



ASKEW = 43° 00' 50" LT



STA I+581.472 END TAPER



PROJECT NAME:	HIGHGATE - FRANKLIN
PROJECT NUMBER:	STP RS 030(I) SA
FILE NAME:	...85c060\design\dc060x03.dgn
PROJECT LEADER:	DELLASANTA
DESIGNED BY:	SQUAD B
IPARM FILE NAME:	dc060x030.I
PLOT DATE:	09-MAY-2005
DRAWN BY:	SQUAD B
CHECKED BY:	SQUAD B
SHEET	296 OF 450