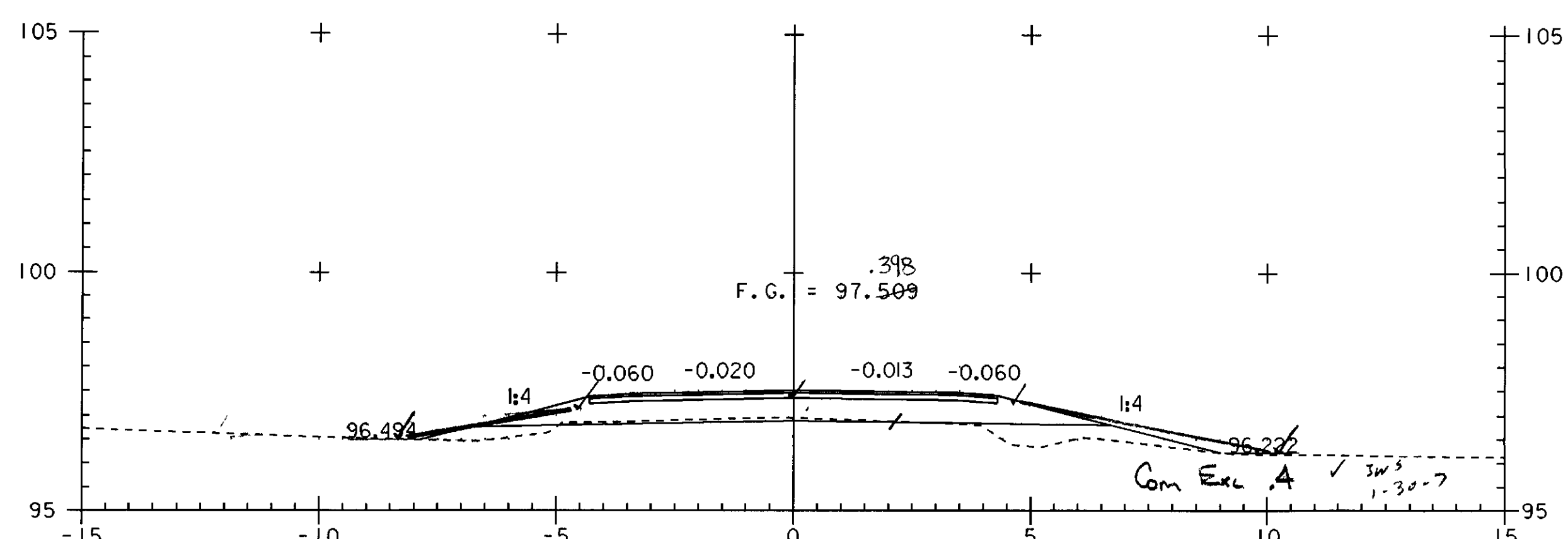
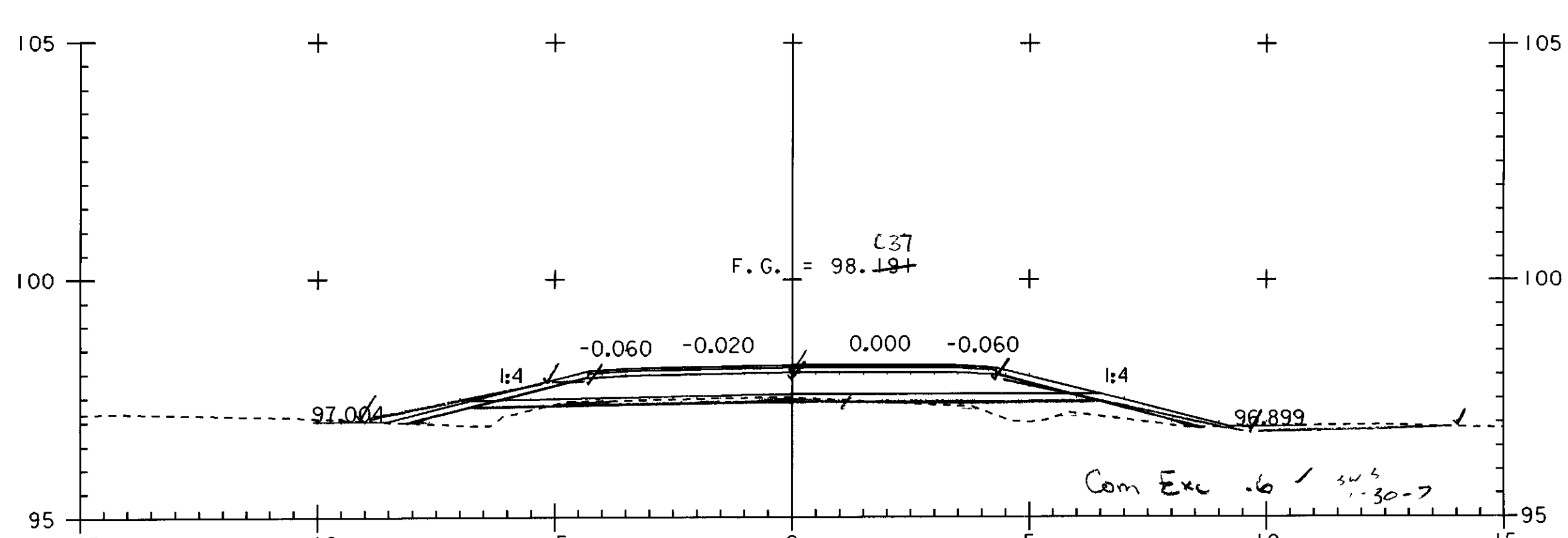


I+320

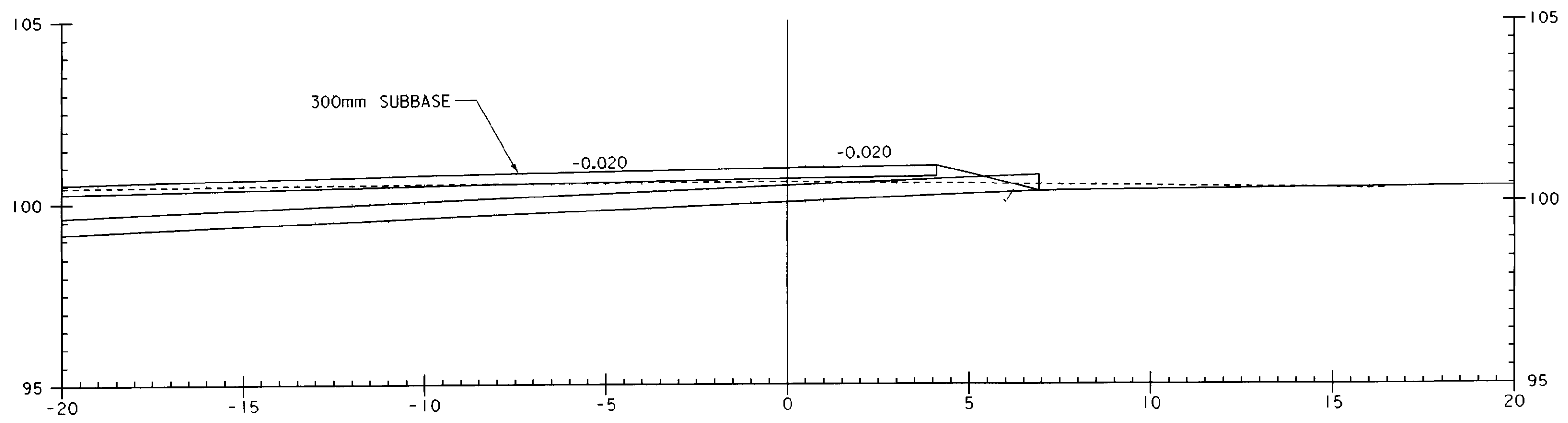


I+300

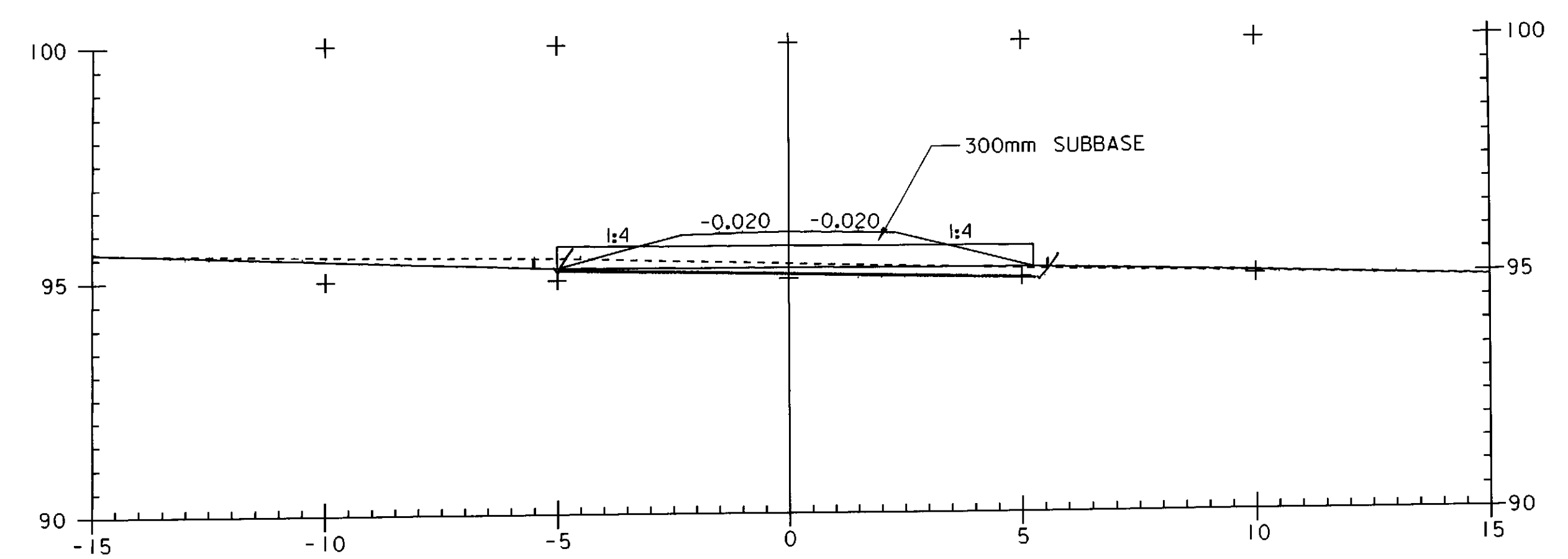


I+280

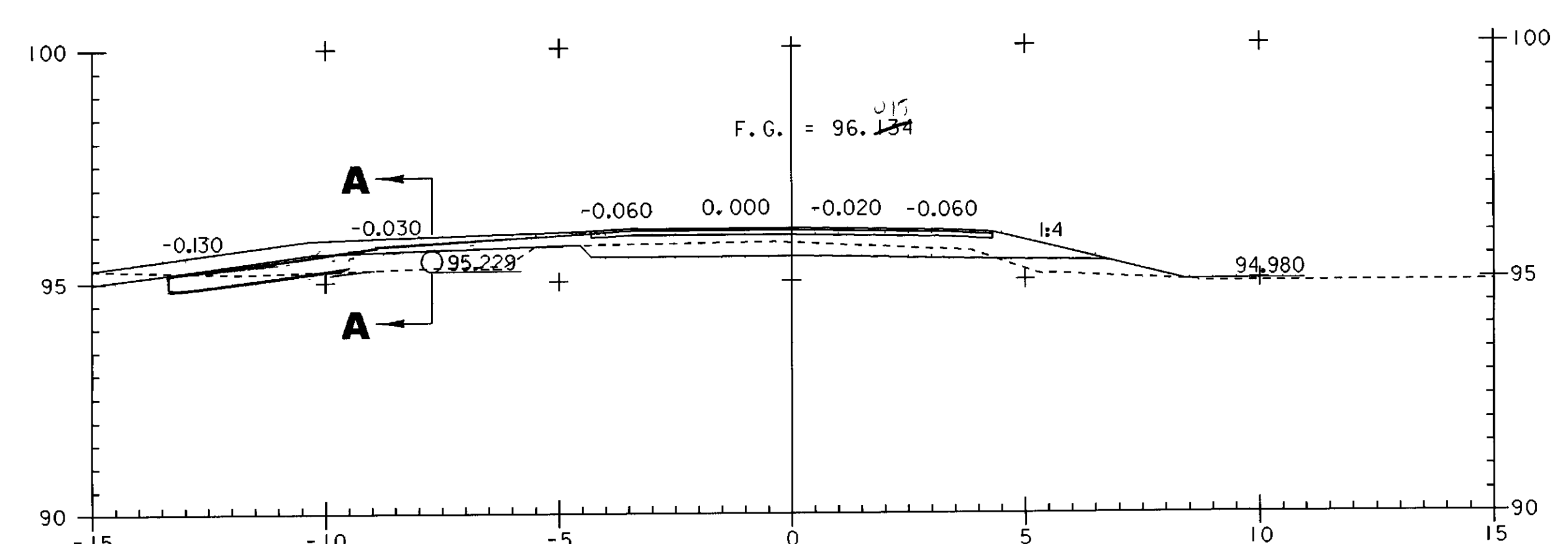
STA 1+274.880 END TAPER
STA 1+273.300 END FULL DEPTH SAND (450MM) BEGIN TAPER



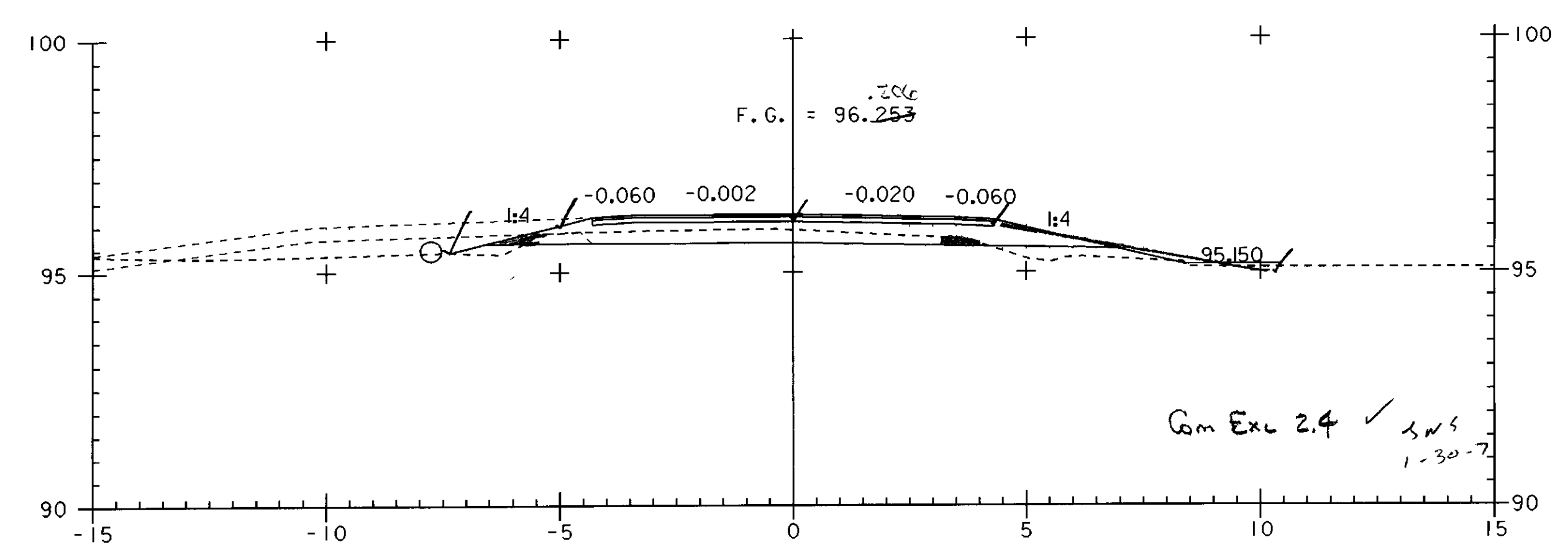
DRIVE AT STA 1+200 RT TO STA 1+260 RT
SECTION A - A



DRIVE AT I+344 LT
SECTION A - A



I+344



I+340



PROJECT NAME:	HIGHGATE - FRANKLIN	PLOT DATE:	09-MAY-2005
PROJECT NUMBER:	STP RS 0301(I) SA	DRAWN BY:	SQUAD B
FILE NAME:	...85c060\design\dc060x03.dgn	CHECKED BY:	SQUAD B
DESIGNED BY:	SQUAD B	SHEET	292 OF 450
IPARM FILE NAME:	dc060x036.1		