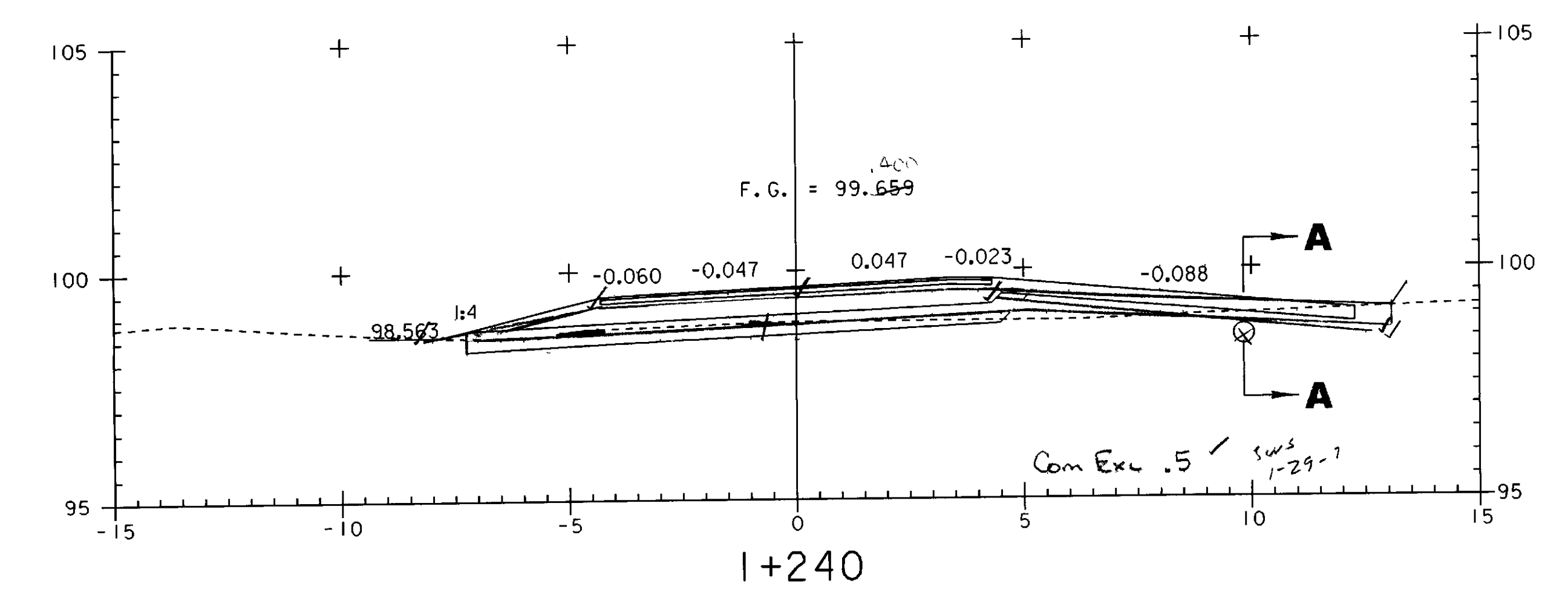
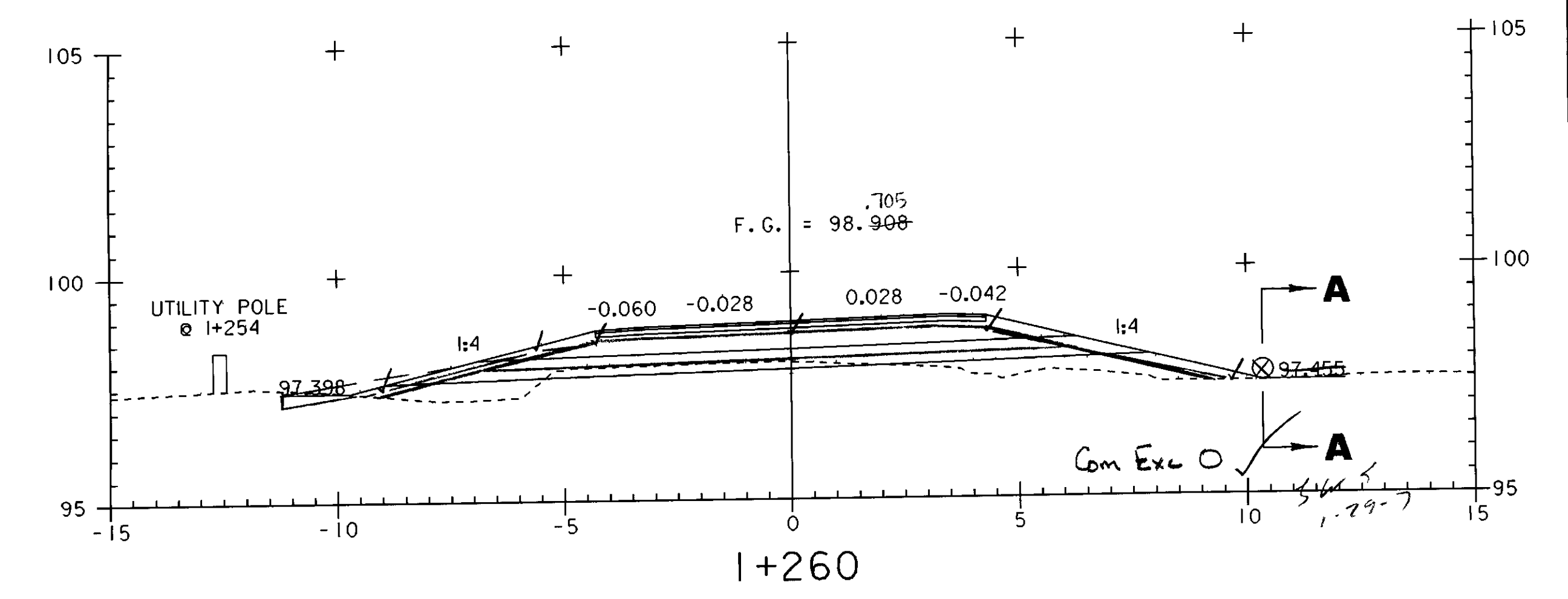
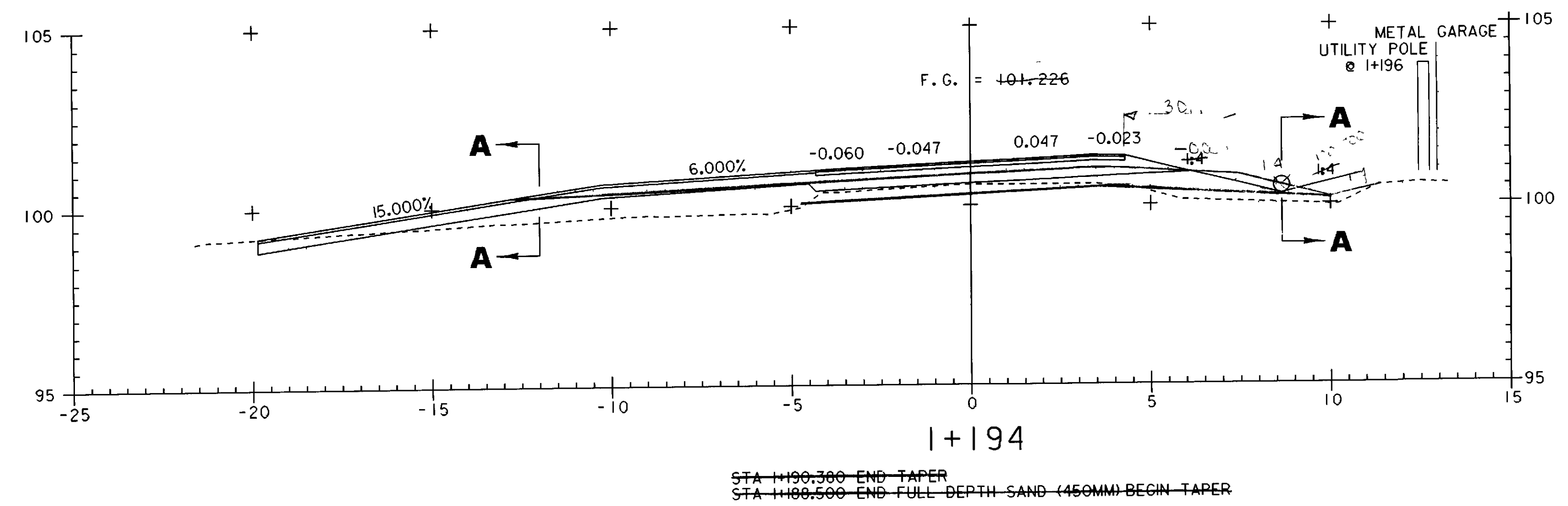


DRIVE AT STA 1+194 LT
SECTION A - A



STA 1+224.000 END TAPER BEGIN FULL DEPTH SAND (450MM)
STA 1+221.980 BEGIN TAPER



PROJECT NAME: HIGHGATE - FRANKLIN	
PROJECT NUMBER: STP RS 030(I) SA	
FILE NAME: ...85c060\design\dc060x03.dgn	PROJECT DATE: 09-MAY-2005
PROJECT LEADER: DELLASANTA	DRAWN BY: SQUAD B
DESIGNED BY: SQUAD B	CHECKED BY: SQUAD B
IPARM FILE NAME: dc060x035.i	SHEET 291 OF 450