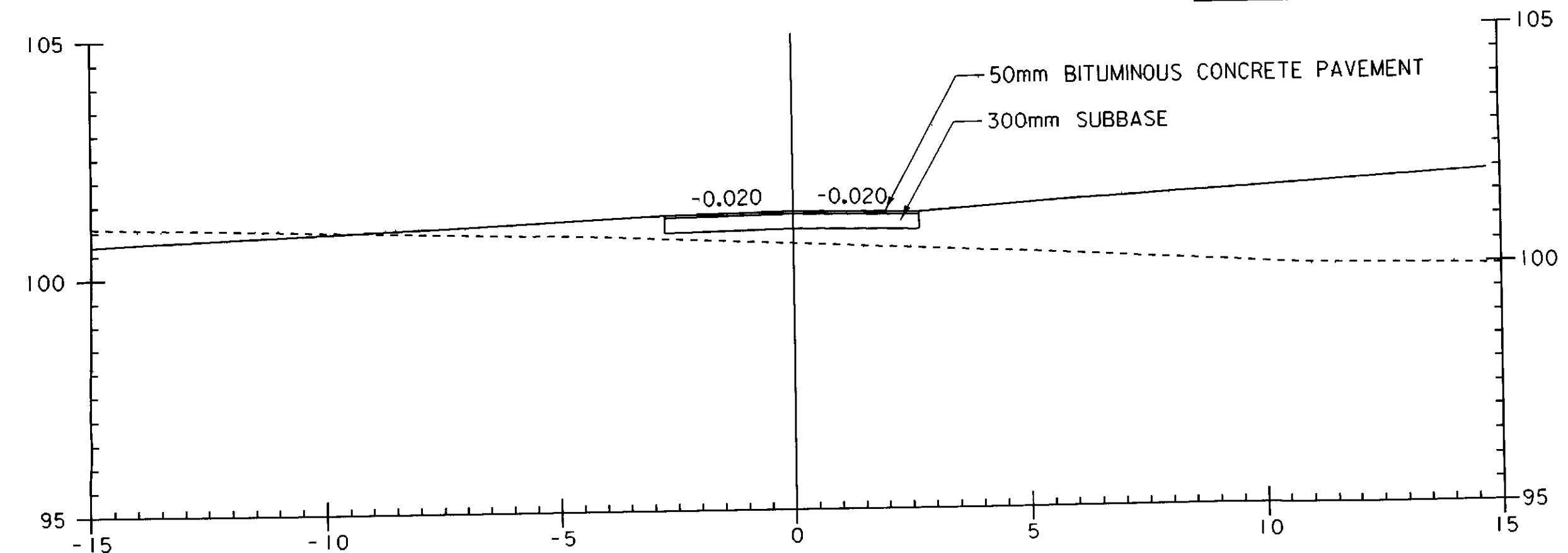
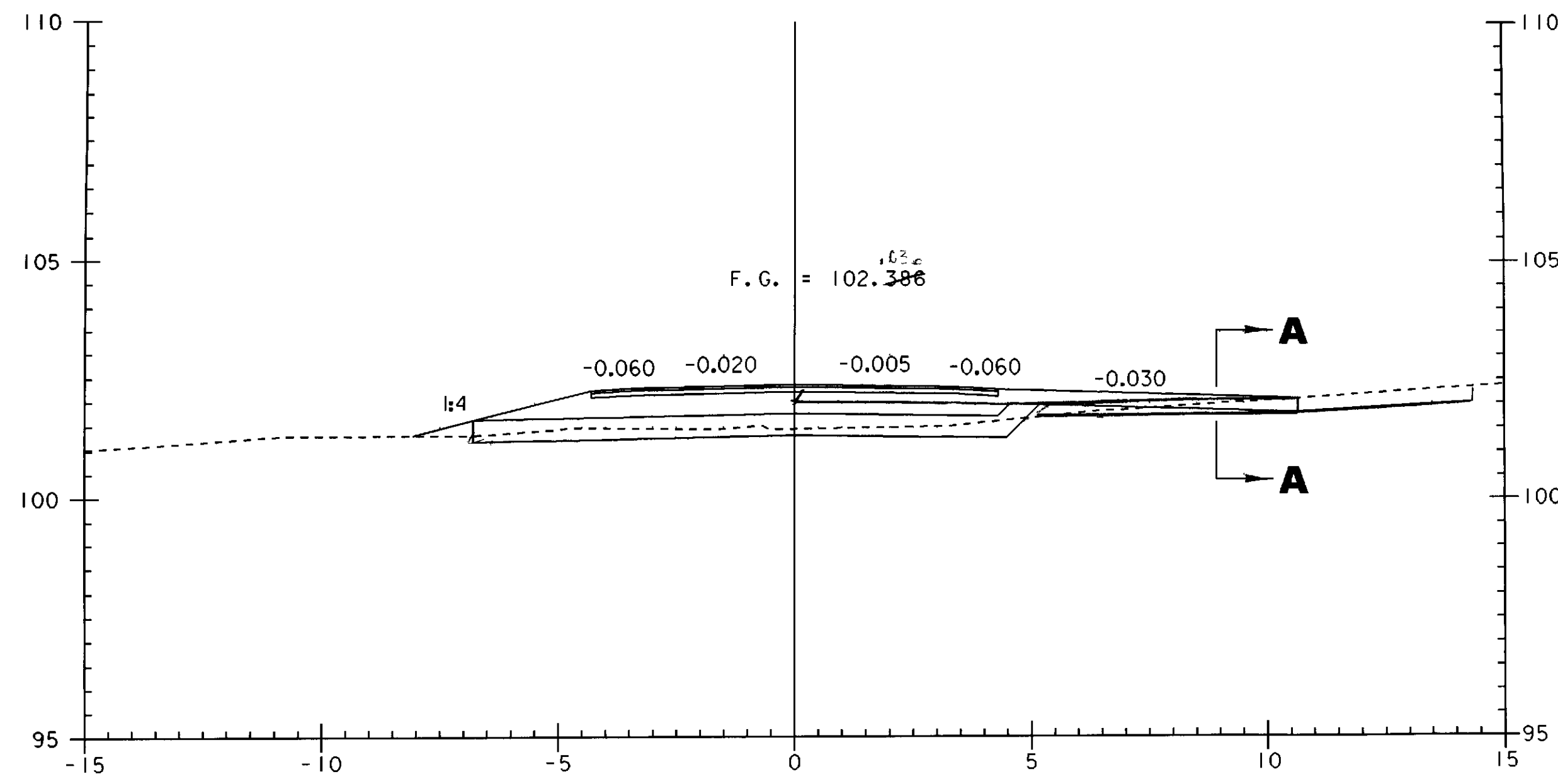


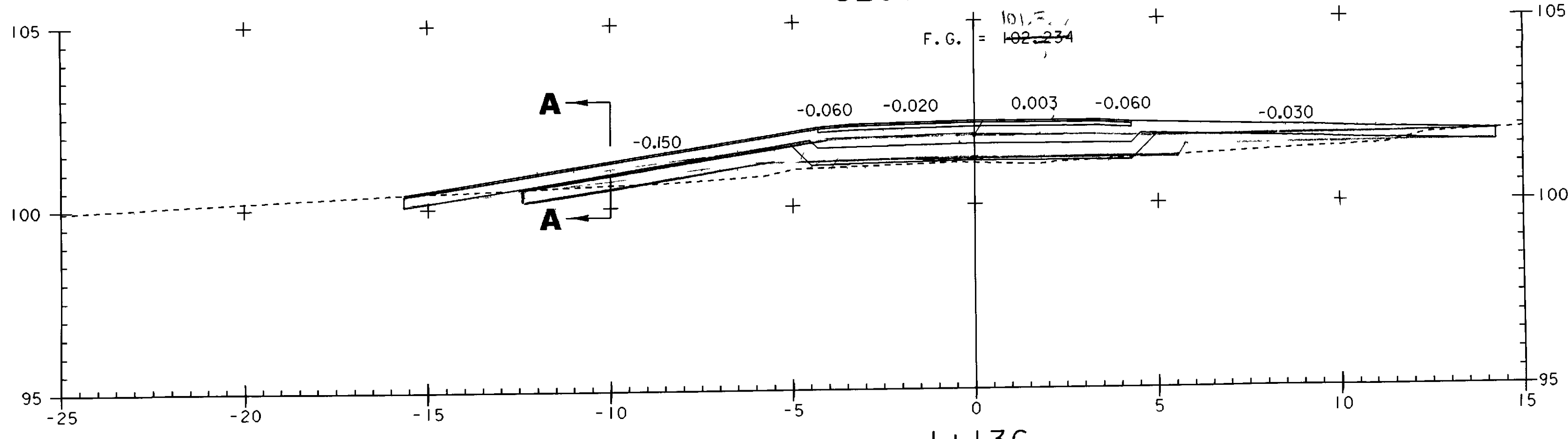
DRIVE AT I+115 RT
SECTION A - A



DRIVE AT I+136 LT
SECTION A - A

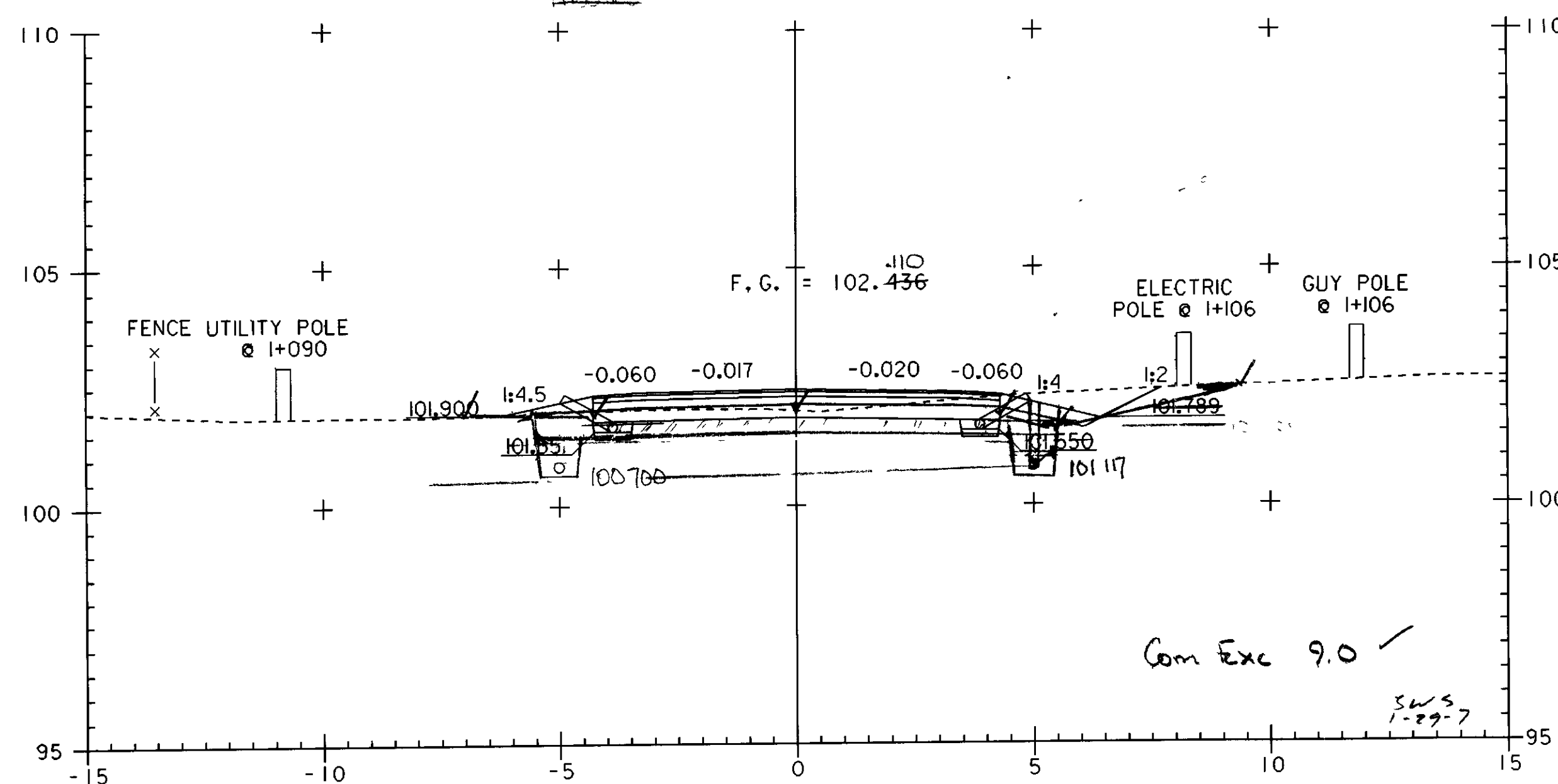


I+115

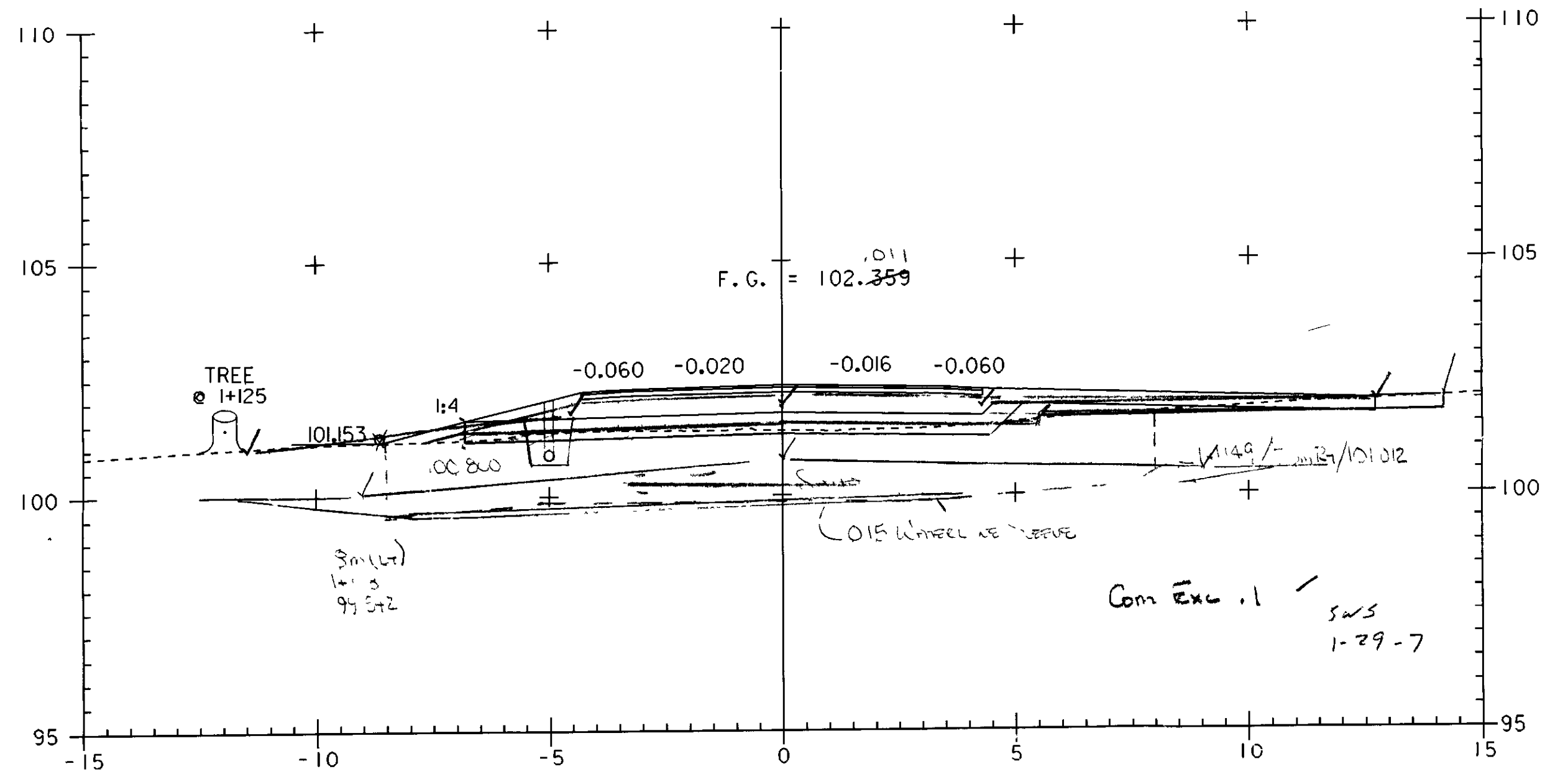


I+136

STA 1109.060 END TAPER BEGIN FULL DEPTH SAND (450MM)
STA 1107.120 BEGIN TAPER



I+100



I+120

Com Exc 9.0
SWS 1-29-7

Com Exc 1
SWS 1-29-7



PROJECT NAME:	HIGHGATE - FRANKLIN
PROJECT NUMBER:	STP RS 030(I) SA
FILE NAME:	...85c060\design\dc060x03.dgn
PROJECT LEADER:	DELLASANTA
DESIGNED BY:	SQUAD B
IPARM FILE NAME:	dc060x033.i
PLOT DATE:	09-MAY-2005
DRAWN BY:	SQUAD B
CHECKED BY:	SQUAD B
SHEET	289 OF 450