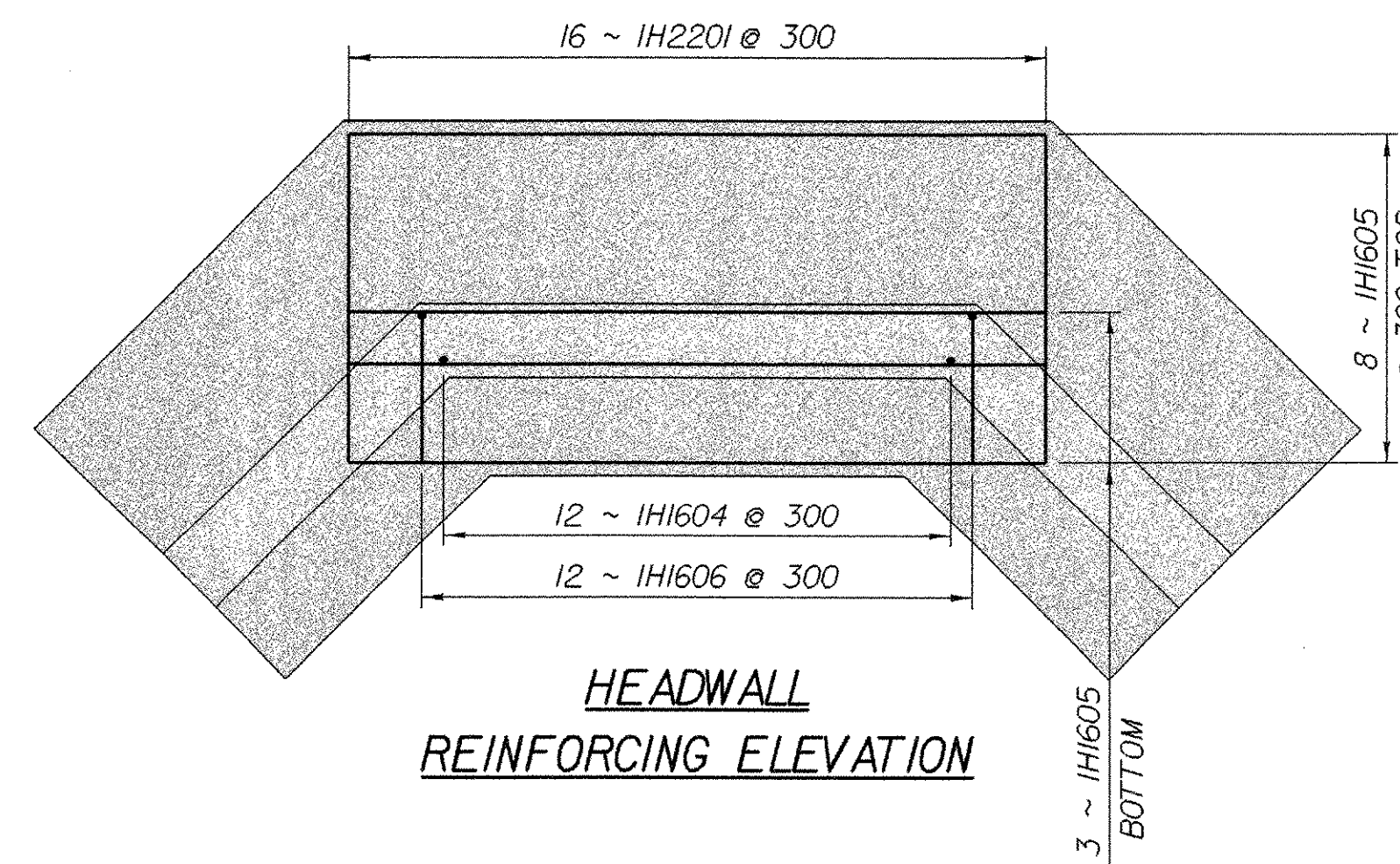
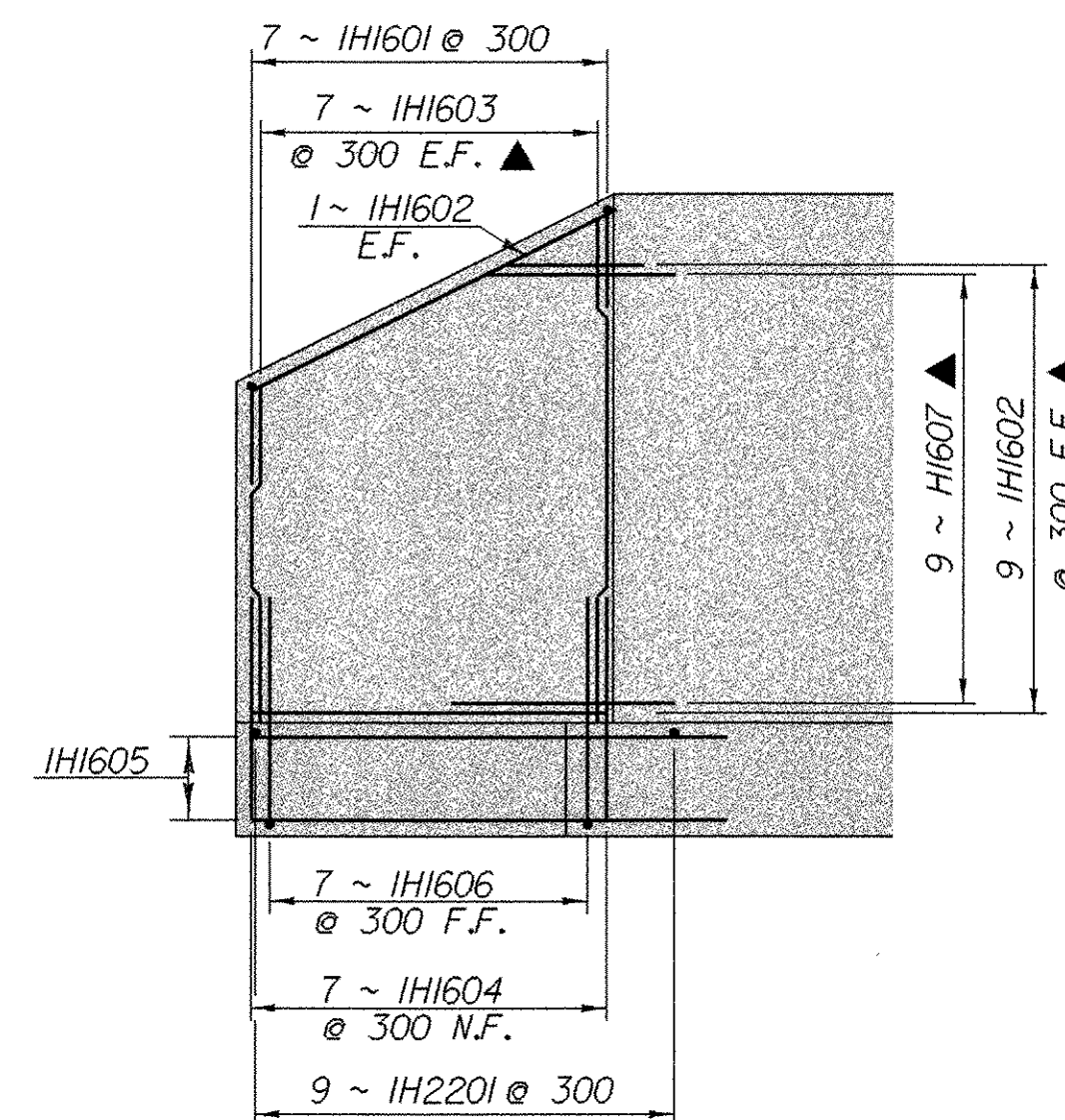


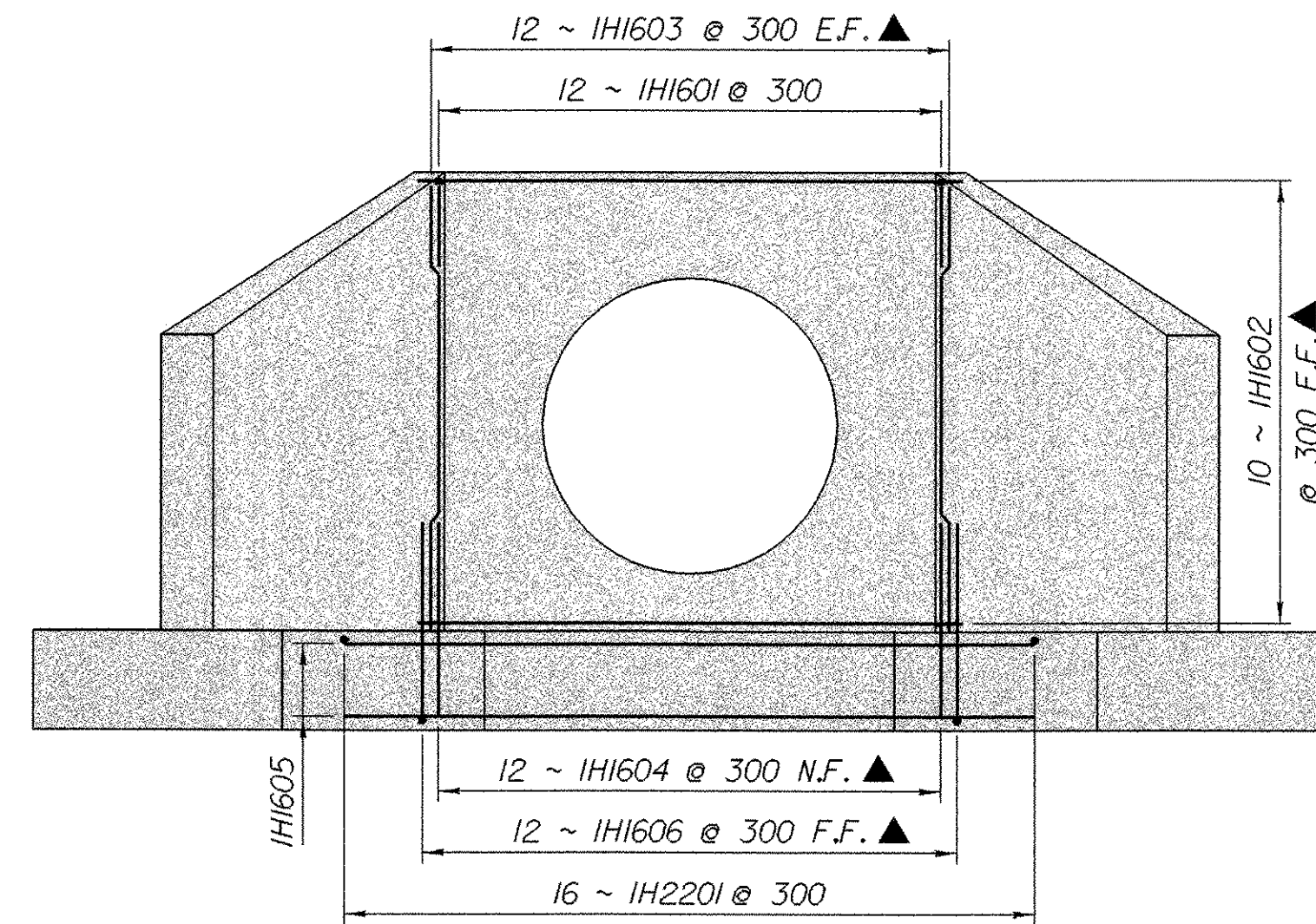
TYPICAL WINGWALL REINFORCING PLAN



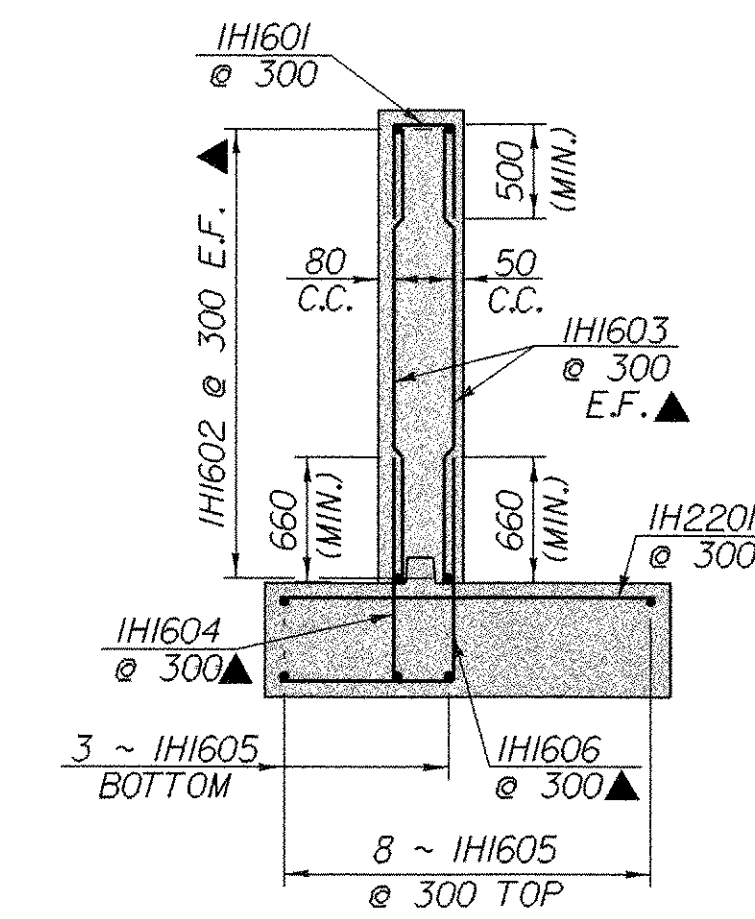
HEADWALL REINFORCING ELEVATION



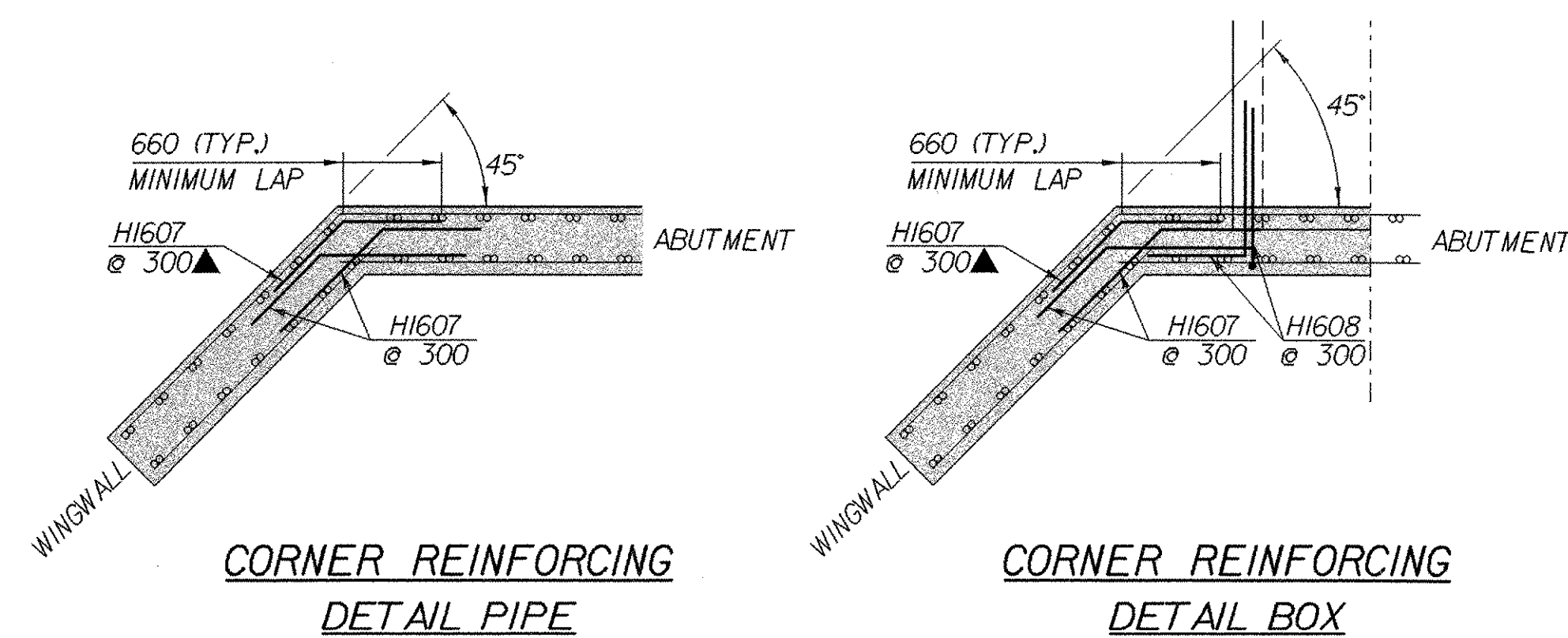
TYPICAL WINGWALL REINFORCING ELEVATION



HEADWALL PIPE REINFORCING ELEVATION

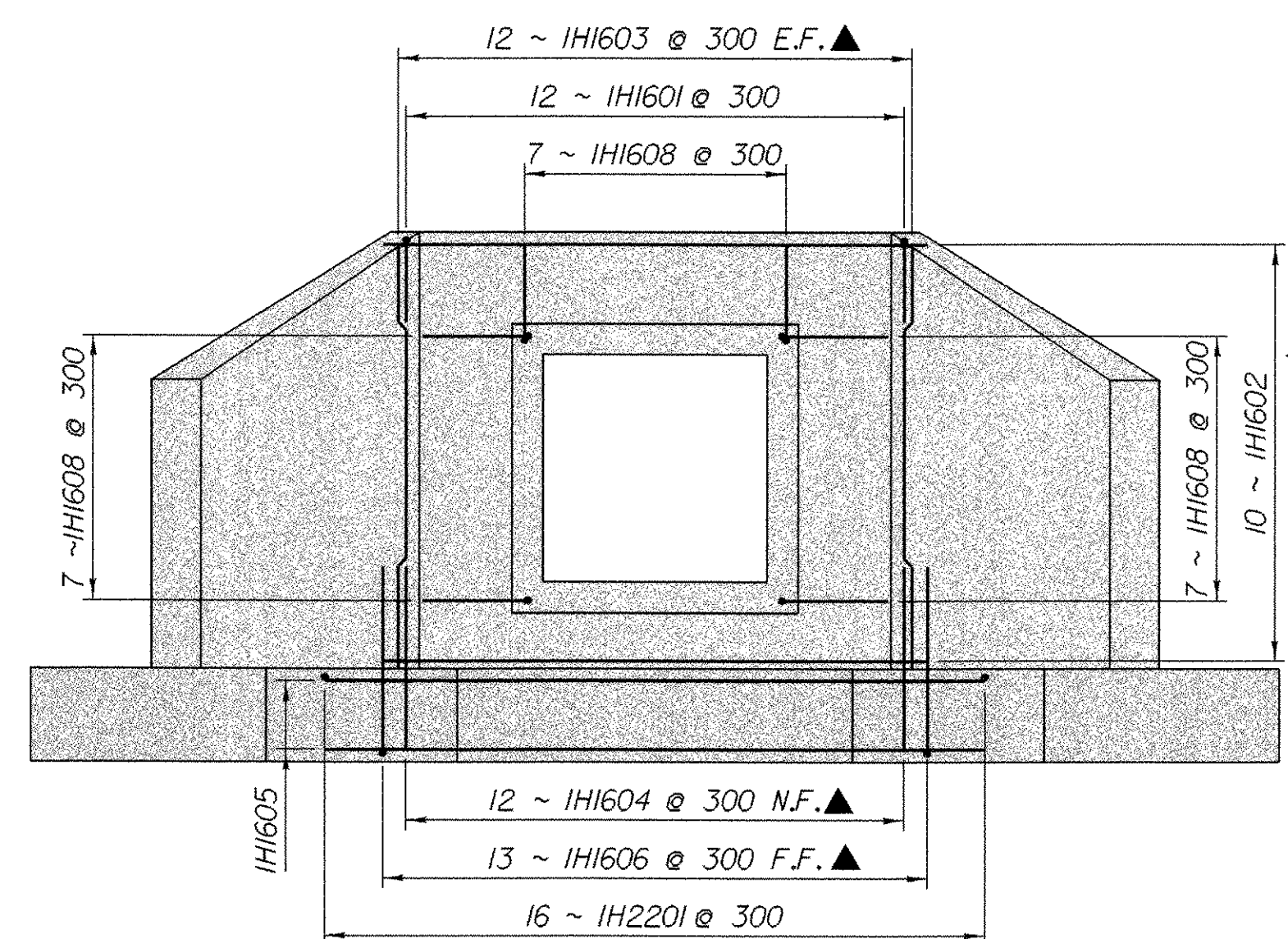


TYPICAL SECTION REINFORCING

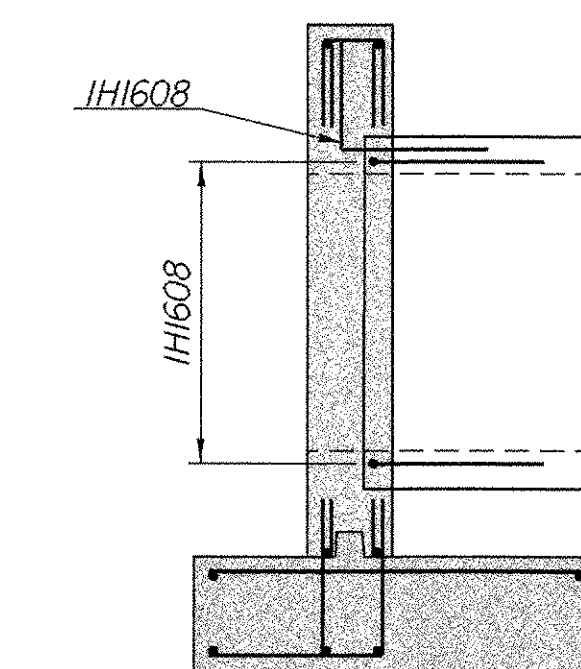


CORNER REINFORCING DETAIL PIPE

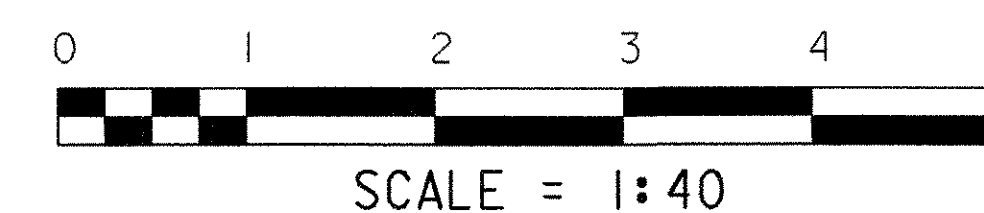
CORNER REINFORCING DETAIL BOX



HEADWALL BOX REINFORCING ELEVATION



TYPICAL SECTION @ BOX REINFORCING



HEADWALL REINFORCING DETAIL SHEET

PROJECT NAME:	HIGHGATE-FRANKLIN
PROJECT NUMBER:	STP RS 030(I)SA
FILE NAME:	/85c060/str/s85c060ww.dgn
PROJECT LEADER:	S. FARNSWORTH
DESIGNED BY:	M. FOWLER
PLOT DATE:	09-MAY-2005
DRAWN BY:	R. PELLETT
CHECKED BY:	G. SPILAK
SHEET	234 OF 450