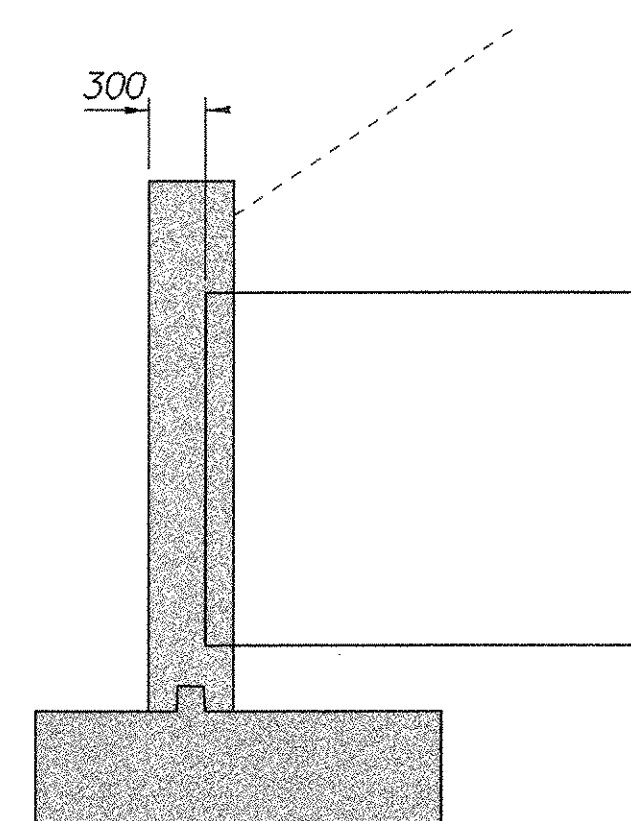
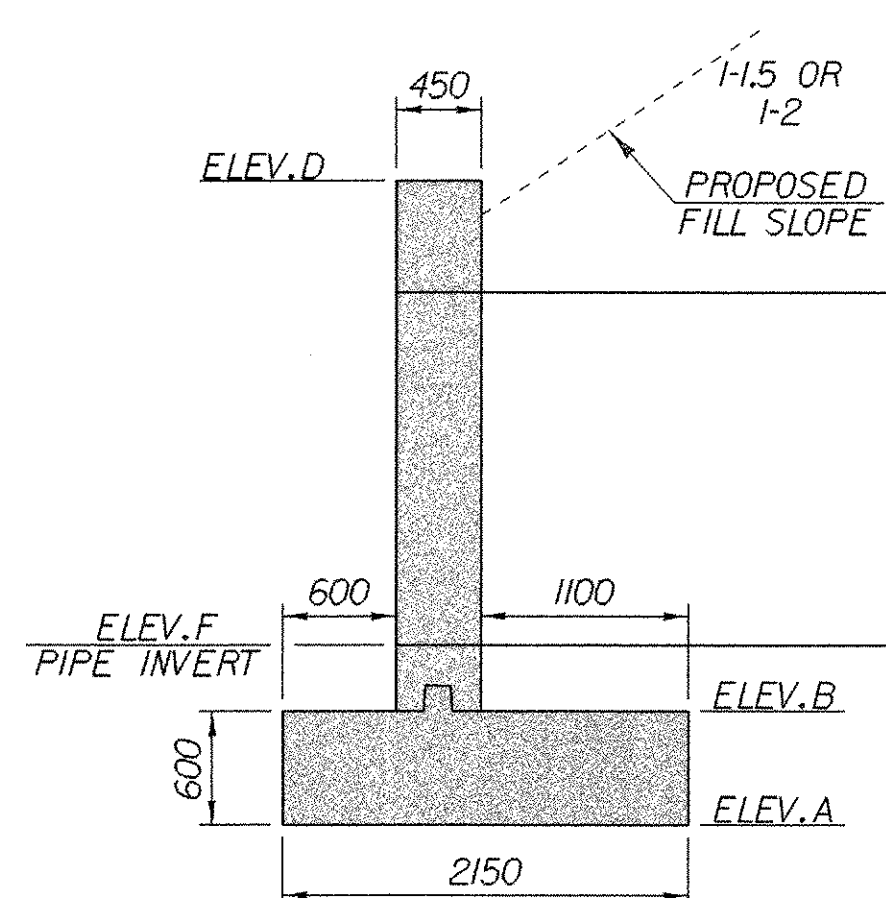


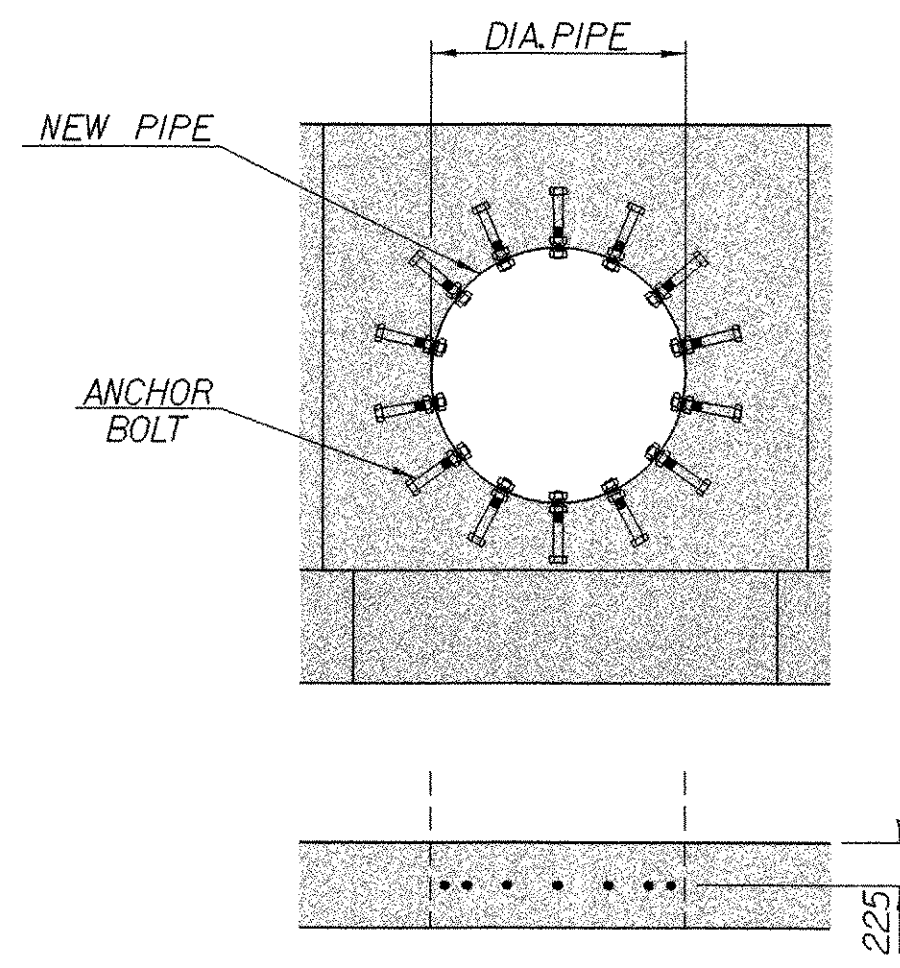
ELEVATIONS FOR HEADWALLS						
STA.	ELEV. A	ELEV. B	ELEV. C	ELEV. D	ELEV. E	ELEV. F
2+217.25	ASKEW 73°-00'-00"		1800 X 18,300 m PIPE			
HEADWALL 1	74.050	74.650	76.500	77.500	76.900	75.000
HEADWALL 2	73.900	74.500	76.350	77.350	76.750	74.800
2+483.00	ASKEW 90°-00'-00"		1850 X 1850 X 19,900 m PRECAST CONCRETE BOX			
HEADWALL 1	72.150	72.750	74.550	75.550	74.550	73.110
HEADWALL 2	72.150	72.750	74.550	75.550	74.550	73.090
3+148.50	ASKEW 83°-30'-00"		1800 X 19,700 m PIPE			
HEADWALL 1	72.600	73.200	75.000	76.000	75.000	73.550
HEADWALL 2	72.600	73.200	74.950	75.950	75.100	73.500
3+627.50	ASKEW 96°-00'-00"		1850 X 1850 X 16,800 m PRECAST CONCRETE BOX			
HEADWALL 1	71.950	72.550	74.400	75.350	74.400	72.900
HEADWALL 2	71.900	72.500	74.300	75.300	74.300	72.850
6+189.25	ASKEW 81°-00'-00"		1800 X 14,000 m PIPE			
HEADWALL 1	92.100	92.700	94.600	95.600	95.000	93.050
HEADWALL 2	92.250	92.850	94.700	95.700	95.100	93.200
8+744.50	ASKEW 66°-30'-00"		1800 X 16,750 m PIPE			
HEADWALL 1	103.550	104.150	106.000	107.000	106.700	104.500
HEADWALL 2	104.000	104.600	106.400	107.400	107.100	104.950



SECTION @ C BOX AND MIDPOINT OF HEADWALL

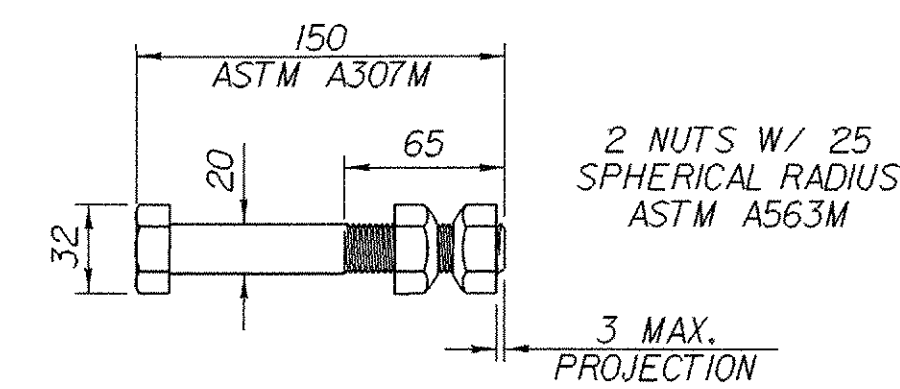


SECTION @ C PIPE AND MIDPOINT OF HEADWALL

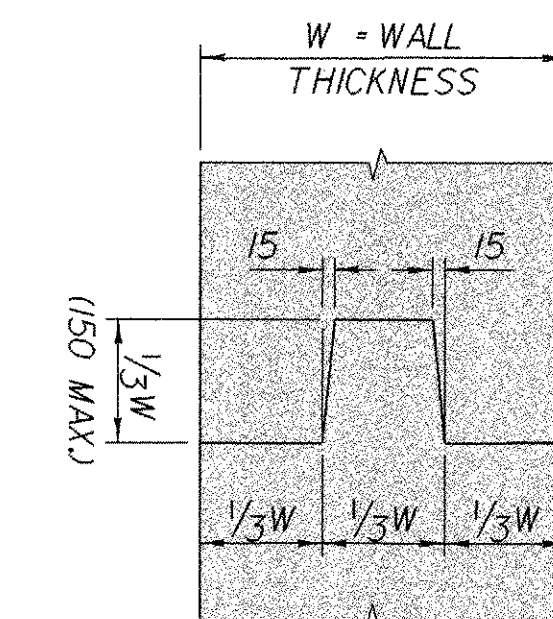


HEADWALL DETAIL FOR PIPES

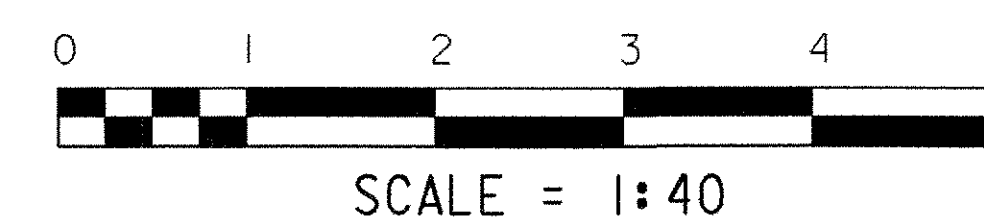
1-ROW GALVANIZED ANCHOR BOLTS SPACED IN ALTERNATE CIRCUMFERENTIAL SEAM HOLES IF AVAILABLE, OTHERWISE USE 13 BOLTS SPACED AT 435 LOCATED AS SHOWN IN PLAN.



ANCHOR BOLT DETAIL (NOT TO SCALE)



TYPICAL CONCRETE CONSTRUCTION JOINT (NOT TO SCALE)



HEADWALL PLAN SHEET

PROJECT NAME: HIGHGATE-FRANKLIN	PROJECT NUMBER: STP RS 030(I)SA
FILE NAME: /85c060/str/s85c060ww.dgn	PLOT DATE: 09-MAY-2005
PROJECT LEADER: S. FARNSWORTH	DRAWN BY: R. PELLET
DESIGNED BY: M. FOWLER	CHECKED BY: G. SPILAK
sc060ww.i	SHEET 233 OF 450