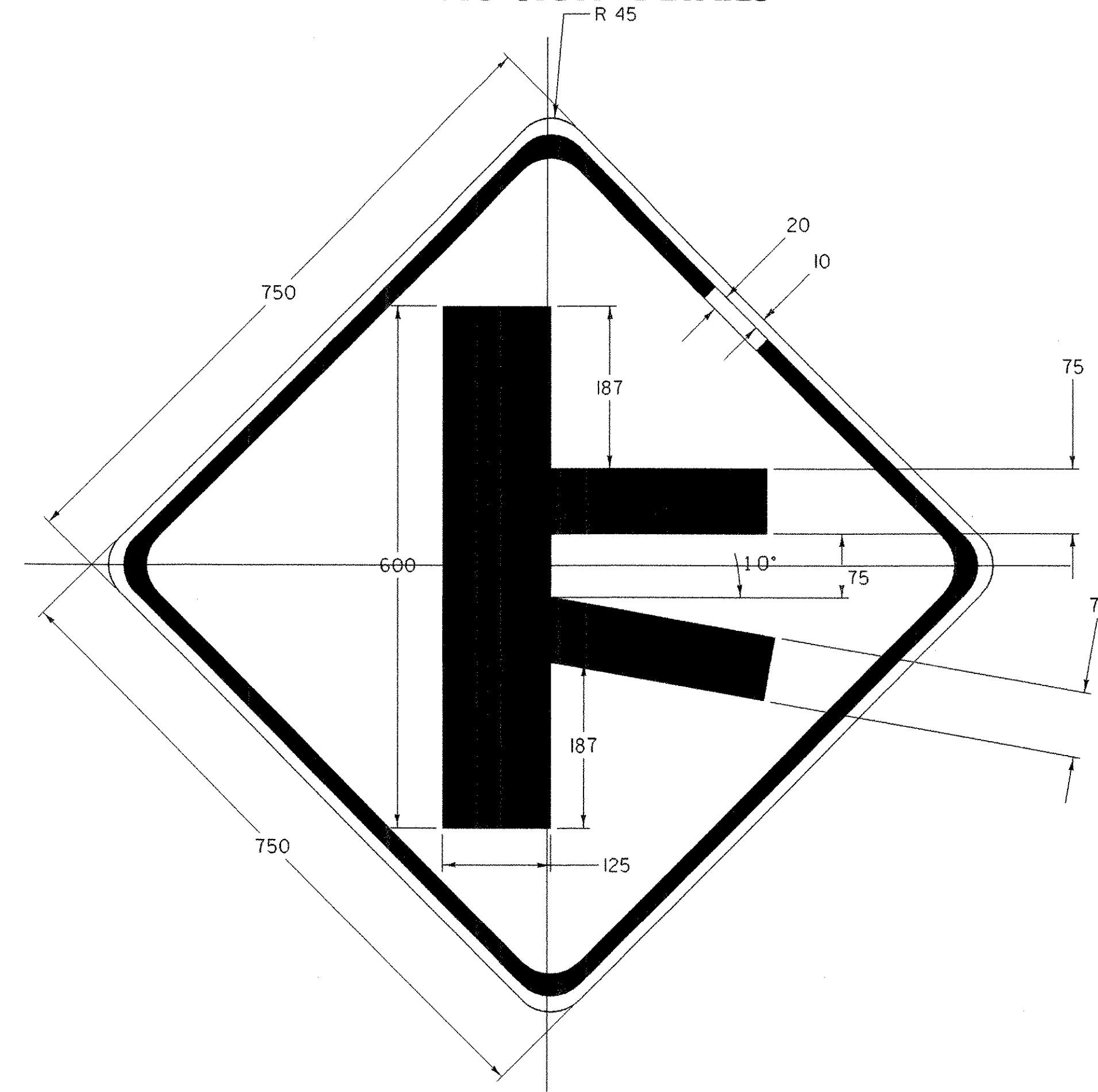


TRAFFIC SIGN DETAILS



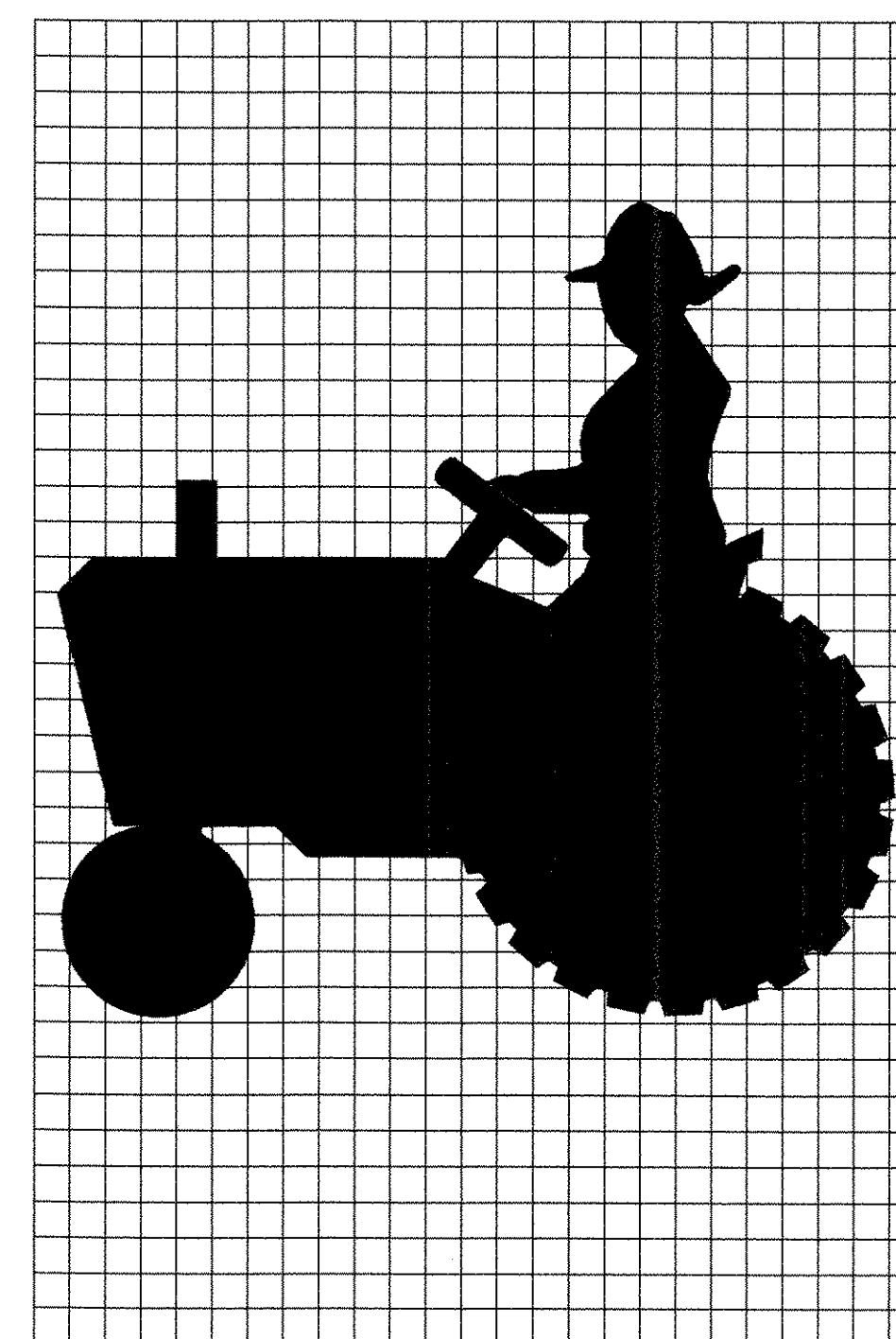
COLORS: SYMBOL & BORDER - BLACK
BACKGROUND - YELLOW (REFLECTIVE)



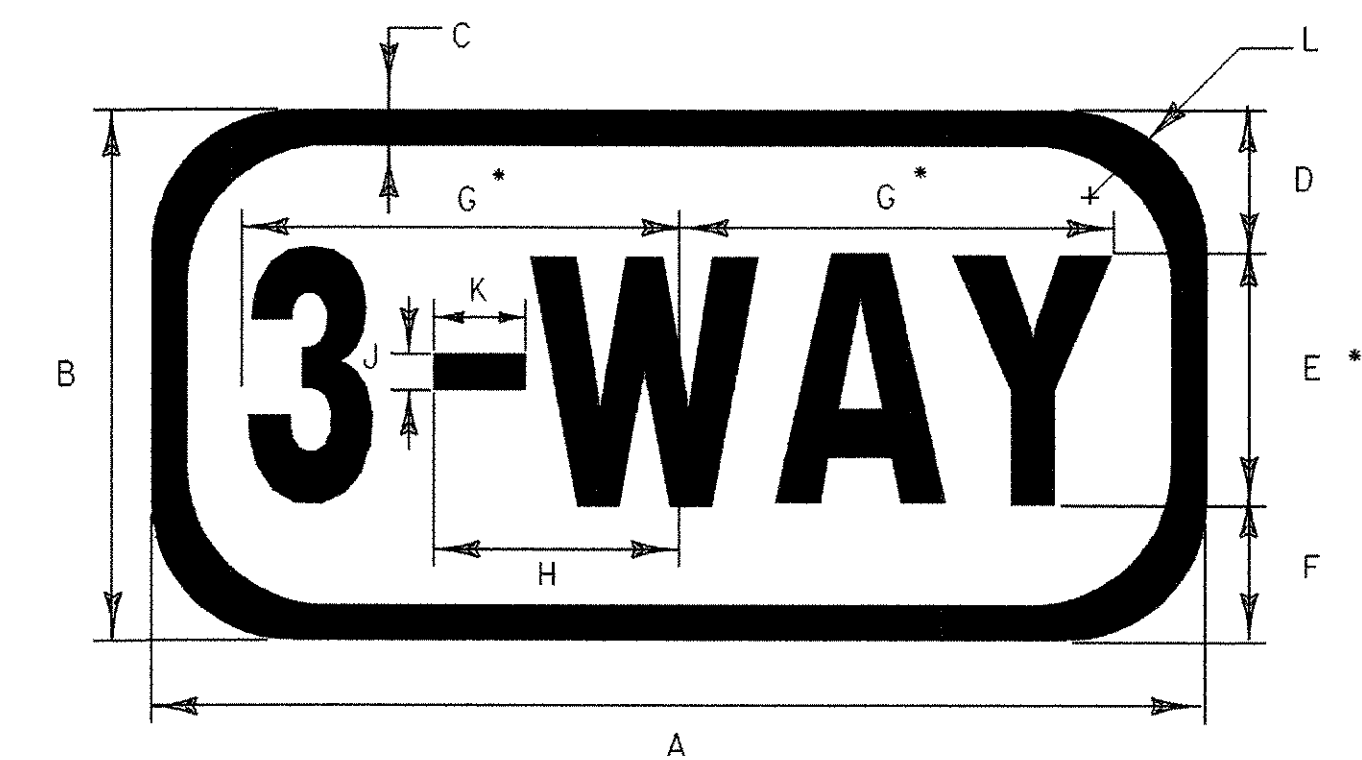
W11-5

SIGN	DIMENSIONS (MM)							
	A	B	C	D	E	F	G	H
MIN.	600	10	15	260	163	225	211	50
STD.	750	13	20	325	202	282	263	50
EXPWY.	900	15	25	389	242	339	316	60
SPECIAL	1200	20	30	510	317	445	413	70

COLORS: SYMBOL & BORDER - BLACK
BACKGROUND - YELLOW (REFLECTIVE)



SCALE - 1 SQUARE = 1 UNIT



RI-3

- REDUCE SPACING TO FIT
- SERIES 2000 STANDARD ALPHABETS

SIGN	DIMENSIONS (INCHES)											
	A	B	C	D	E	F	G	H	J	K	L	
MIN.	300	150	12.5	37.5	75	37.5	122	69	10	27	37.5	
STD.	450	225	12.5	50	125	50	200	108	17	44	37.5	
EXPWY.	600	300	12.5	75	150	75	240	130	20	53	37.5	

COLORS: SYMBOL & BORDER - RED
BACKGROUND - WHITE (REFLECTIVE)

ALL DIMENSIONS IN mm UNLESS OTHERWISE NOTED.

PROJECT NAME:	HIGHGATE - FRANKLIN
PROJECT NUMBER:	STP RS 030(I) SA
FILE NAME: ...85c060/design/dc060d1.dgn	PLOT DATE: 09-MAY-2005
PROJECT LEADER: DELLASANTA	DRAWN BY: SQUAD B
DESIGNED BY: SQUAD B	CHECKED BY: SQUAD B
IPARM FILE NAME: dc060d1.i	SHEET 224 OF 450