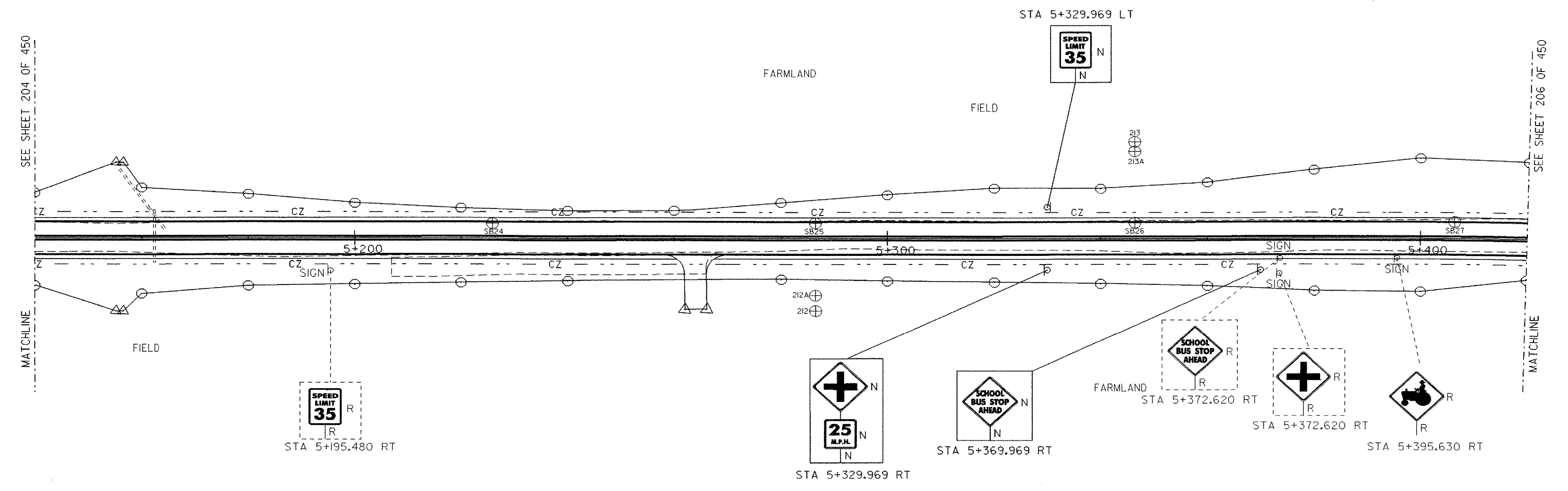
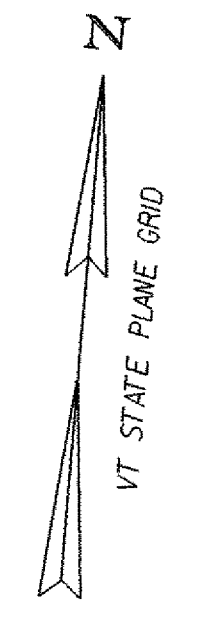


DURABLE 100mm WHITE LINE
 STA 5+140.000 TO STA 5+420.000 LT (EDGE LINE)
 STA 5+140.000 TO STA 5+420.000 RT (EDGE LINE)

DURABLE 100mm YELLOW LINE
 STA 5+140.000 TO STA 5+420.000 LT (CENTER LINE)
 STA 5+140.000 TO STA 5+420.000 RT (CENTER LINE)

TEMPORARY 100mm WHITE LINE
 STA 5+140.000 TO STA 5+420.000 LT (EDGE LINE)
 STA 5+140.000 TO STA 5+420.000 RT (EDGE LINE)

TEMPORARY 100mm YELLOW LINE
 STA 5+140.000 TO STA 5+420.000 LT (CENTER LINE)
 STA 5+140.000 TO STA 5+420.000 RT (CENTER LINE)



SIGN LEGEND
 R = REMOVE
 S = SALVAGE
 N = NEW
 RET = RETAIN
 T&T = THINNING & TRIMMING
 B-B = BACK TO BACK

TRAFFIC SIGNS & PAVEMENT MARKINGS SHEET



PROJECT NAME:	HIGHGATE - FRANKLIN
PROJECT NUMBER:	STP RS 030(K) SA
FILE NAME: ...85c060/design/dc060+ts.dgn	PLOT DATE: 09-MAY-2005
PROJECT LEADER: DELLASANTA	DRAWN BY: SQUAD B
DESIGNED BY: SQUAD B	CHECKED BY: SQUAD B
IPARM FILE NAME: dc060+sl3.l	SHEET 205 OF 450