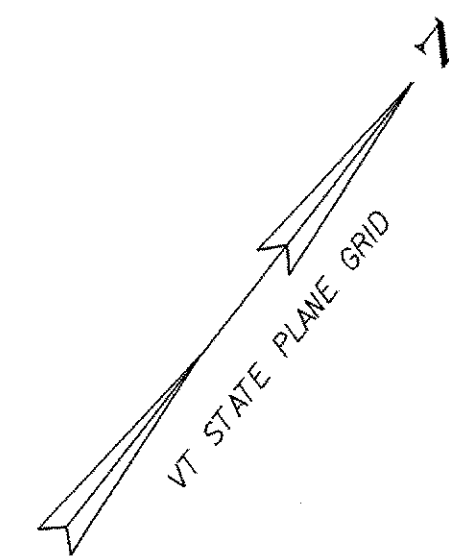


**DURABLE 100mm WHITE LINE**  
 STA 4+480.000 TO STA 4+840.000 LT (EDGE LINE)  
 STA 4+480.000 TO STA 4+840.000 RT (EDGE LINE)

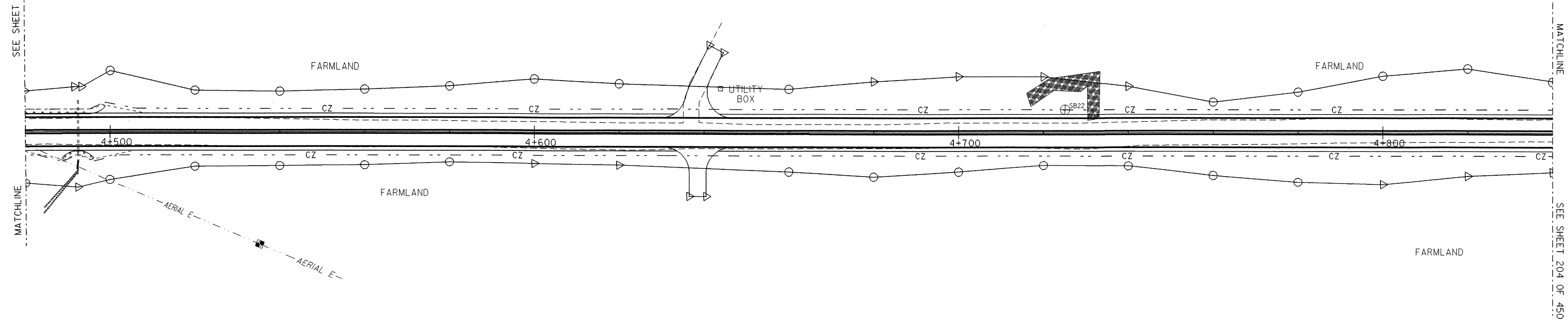
**DURABLE 100mm YELLOW LINE**  
 STA 4+480.000 TO STA 4+840.000 LT (CENTER LINE)  
 STA 4+480.000 TO STA 4+840.000 RT (CENTER LINE)

**TEMPORARY 100mm WHITE LINE**  
 STA 4+480.000 TO STA 4+840.000 LT (EDGE LINE)  
 STA 4+480.000 TO STA 4+840.000 RT (EDGE LINE)

**TEMPORARY 100mm YELLOW LINE**  
 STA 4+480.000 TO STA 4+840.000 LT (CENTER LINE)  
 STA 4+480.000 TO STA 4+840.000 RT (CENTER LINE)



SEE SHEET 202 OF 450



SEE SHEET 204 OF 450

**SIGN LEGEND**

- R = REMOVE
- S = SALVAGE
- N = NEW
- RET = RETAIN
- T&T = THINNING & TRIMMING
- B-B = BACK TO BACK

**TRAFFIC SIGNS & PAVEMENT MARKINGS SHEET**



PROJECT NAME: HIGHGATE - FRANKLIN  
 PROJECT NUMBER: STP RS 030(I) SA

FILE NAME: ...85c060/design/dc060+ts.dgn PLOT DATE: 09-MAY-2005  
 PROJECT LEADER: DELLASANTA DRAWN BY: SQUAD B  
 DESIGNED BY: SQUAD B CHECKED BY: SQUAD B  
 IPARM FILE NAME: dc060+sl.l SHEET 203 OF 450