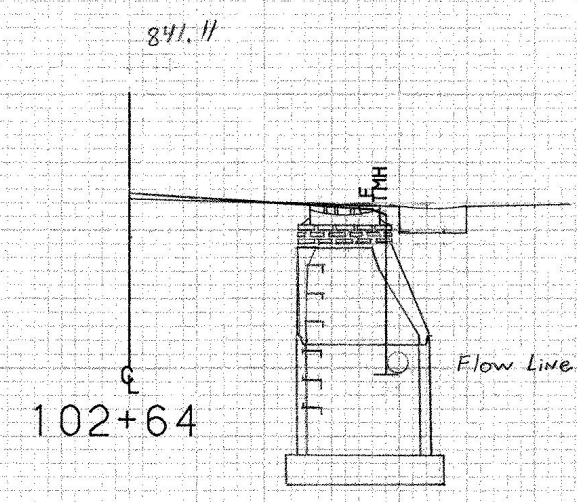
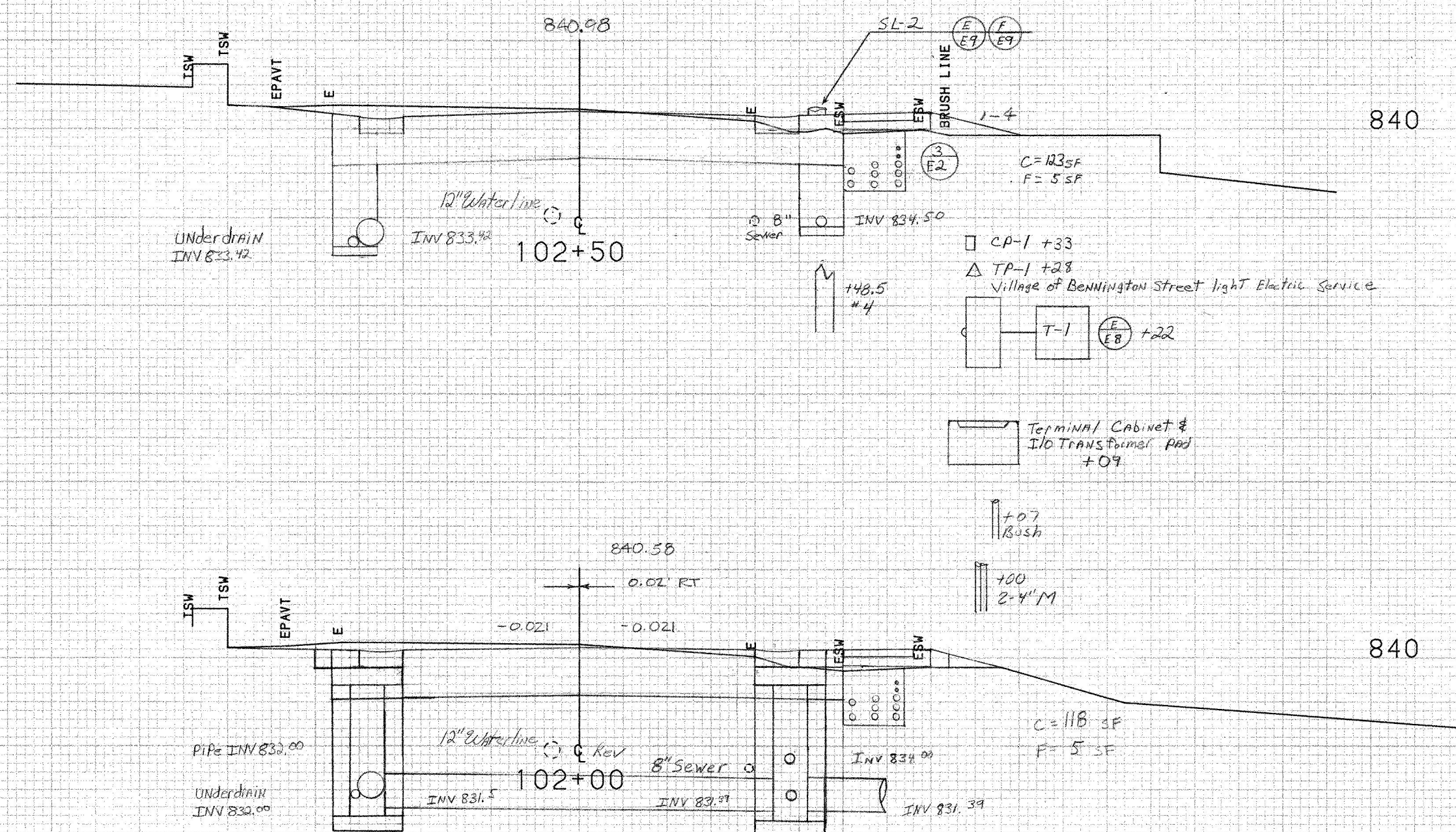


172  
12' M



840



FROM STA. 102+00 TO STA. 102+64  
PROJECT NAME OLD BENNINGTON  
NO. M1400 (4) S PLOTTED 02/24/86  
SURVEYED BY MOREAU JAN. 1986  
SHEET 48 OF 63 SHEETS

SCALE 5 FEET