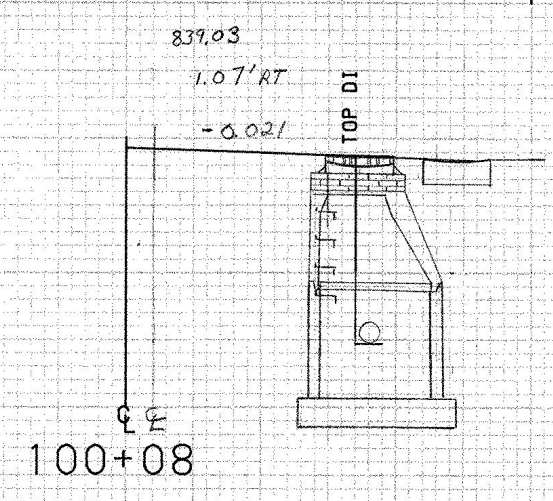
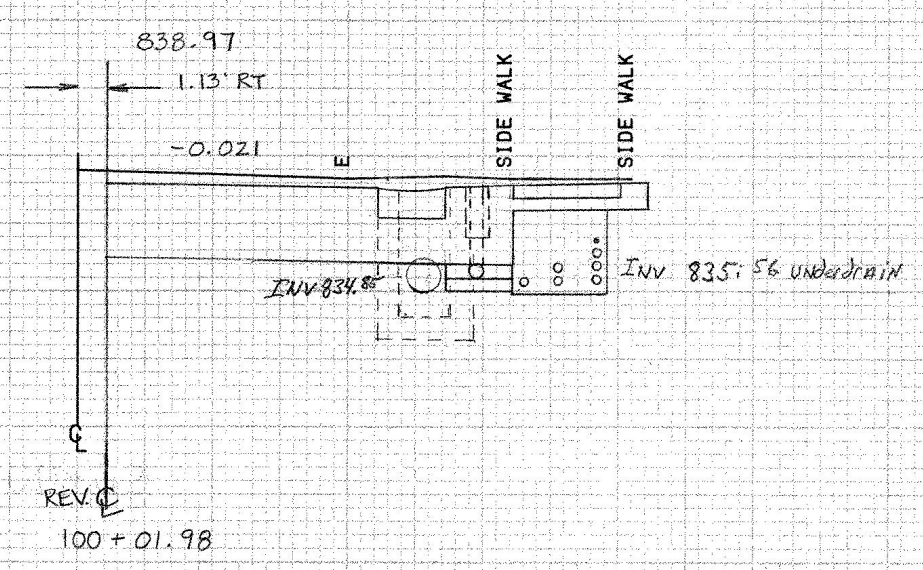


+22
30" Ash
SAVE

+11
HYD.

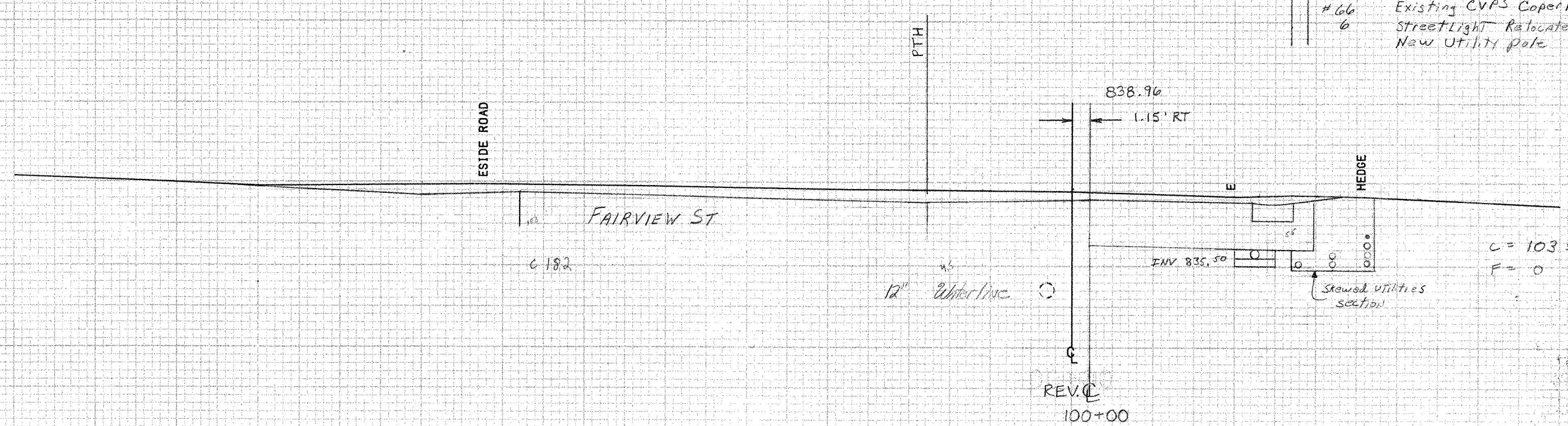


835



835

+16
#66
6
SL-1
Existing CVRS Copor head
Street Light Relocated To
New Utility pole



C = 103 = F
F = 0

835

FROM STA.	100+00	TO STA.	100+08
PROJECT NAME	OLD BENNINGTON		
NO.	M1400(4) S	PLOTTED	02/24/86
SURVEYED BY	MOREAU	JAN.	1986
SHEET	47	OF	63 SHEETS

SCALE 1" = 5 FEET