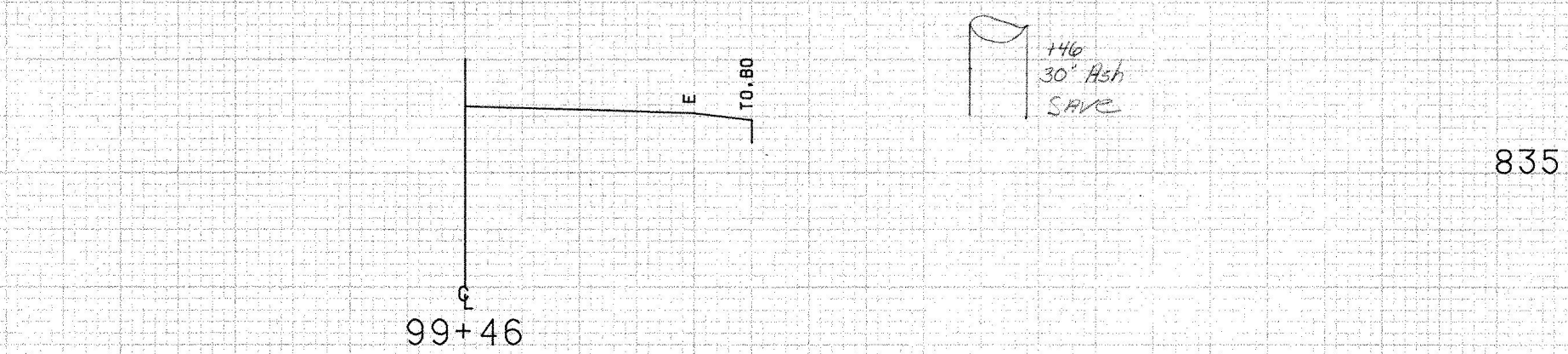
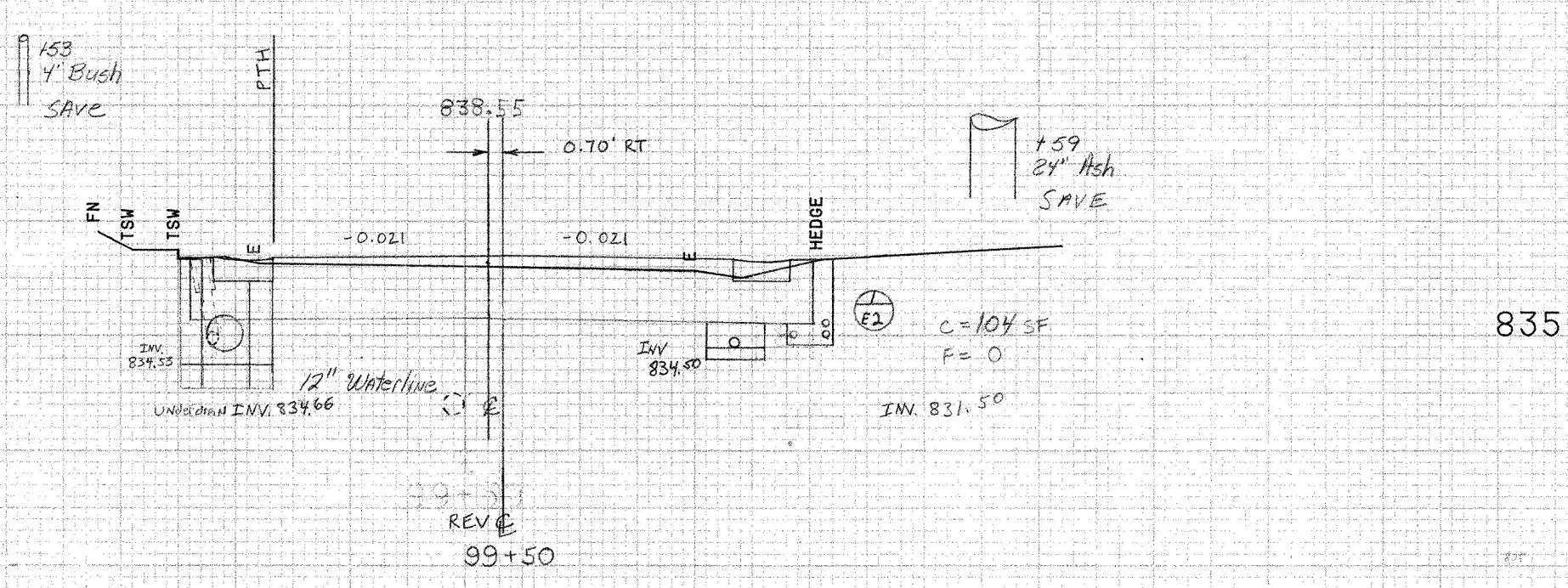
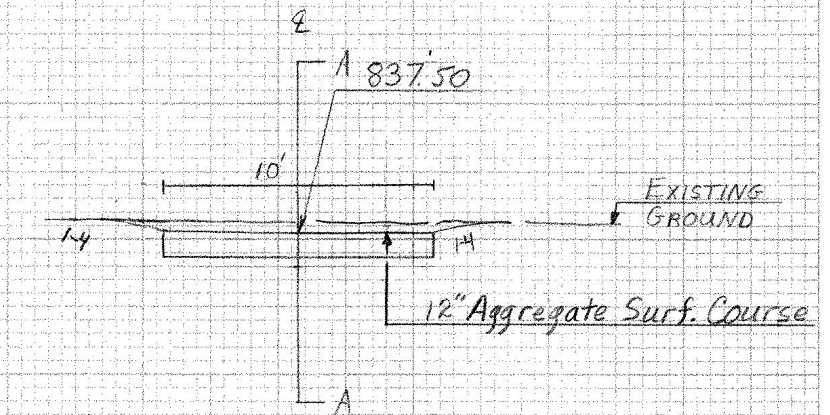
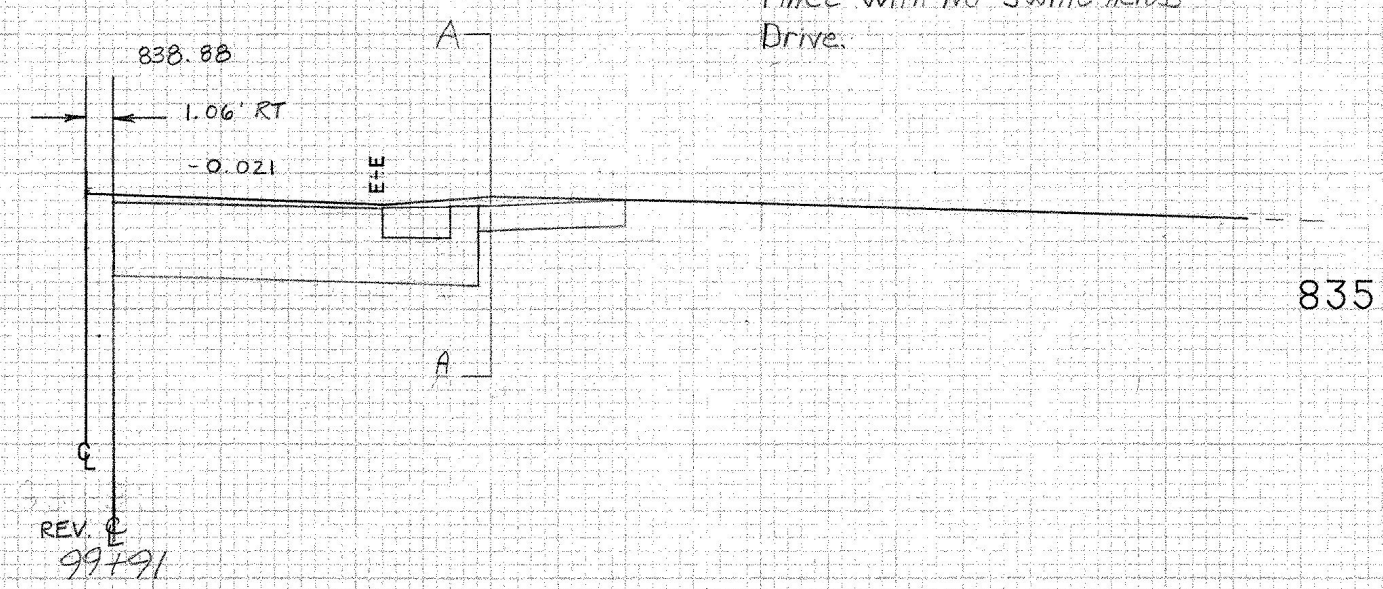


Rev. Sta. 99+84 RT ~ Rev. Sta. 100+06 RT.
 Gutter is to be set in
 Place with No Swale across
 Drive.



FROM STA.	99+46	TO STA.	99+91
PROJECT NAME	OLD BENNINGTON		
NO.	M1400 (4) S	PLOTTED	02/24/86
SURVEYED BY	MOREAU	JAN.	1986
SHEET	43	OF	63 SHEETS

SCALE 5 FEET

139
24" M
SAVE

146
30" Ash
SAVE

159
24" Ash
SAVE

153
4" Bush
SAVE