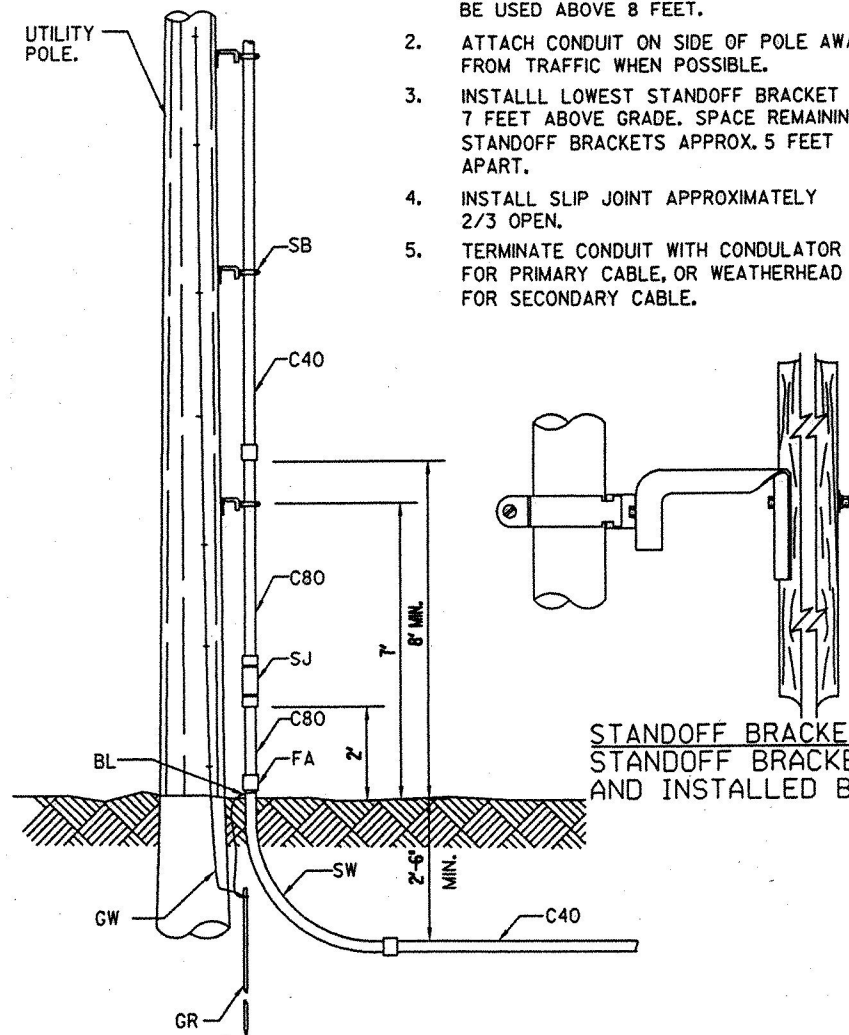


**NOTES:**

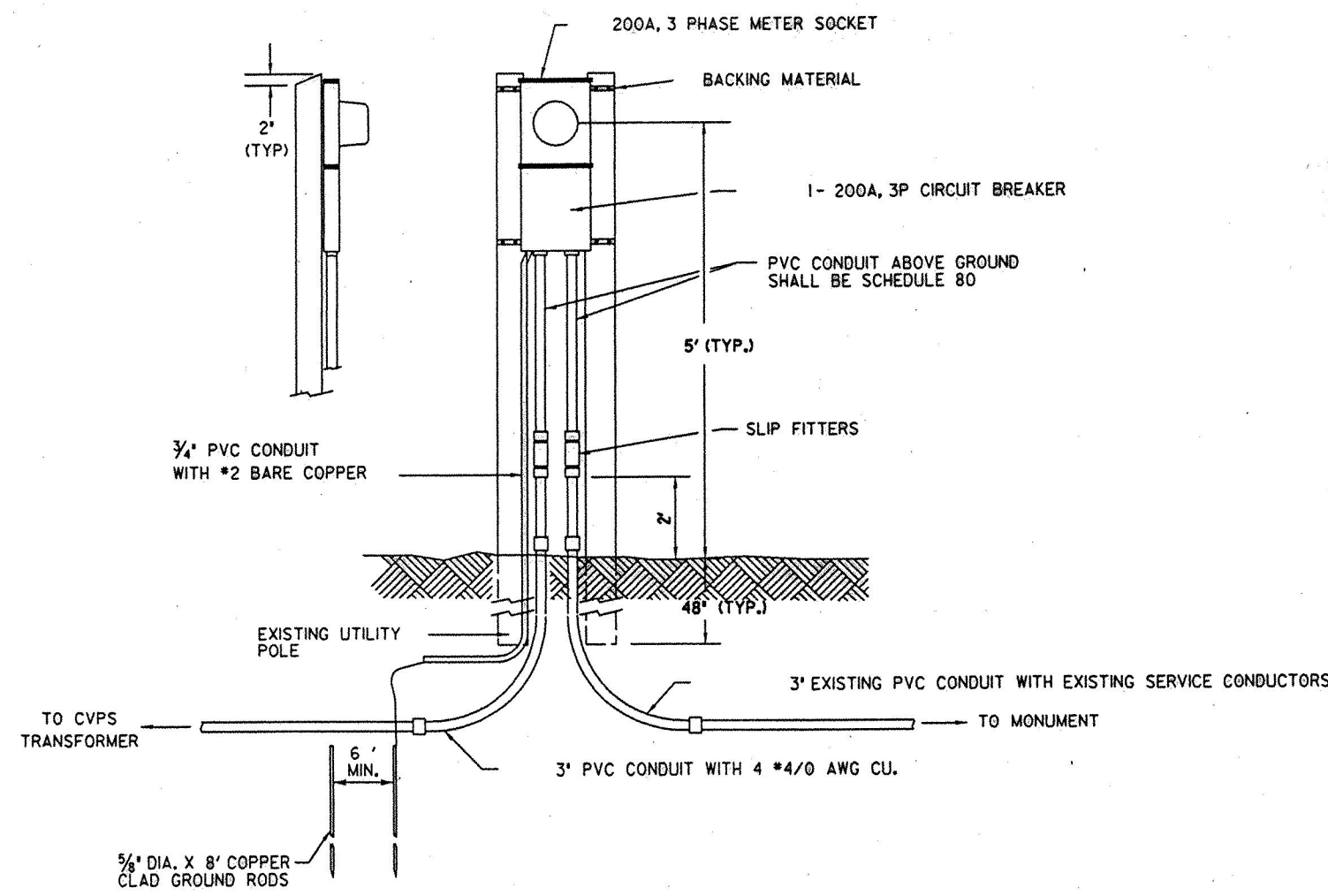
1. PVC SCHEDULE 80 SHALL BE USED TO 8 FEET ABOVE GRADE. PVC SCHEDULE 40 TO BE USED ABOVE 8 FEET.
2. ATTACH CONDUIT ON SIDE OF POLE AWAY FROM TRAFFIC WHEN POSSIBLE.
3. INSTALL LOWEST STANDOFF BRACKET AT 7 FEET ABOVE GRADE. SPACE REMAINING STANDOFF BRACKETS APPROX. 5 FEET APART.
4. INSTALL SLIP JOINT APPROXIMATELY 2/3 OPEN.
5. TERMINATE CONDUIT WITH CONDUATOR FOR PRIMARY CABLE, OR WEATHERHEAD FOR SECONDARY CABLE.



ITEM	NO REQUIRED	CODE	MATERIAL
SJ	1		SLIP JOINT
SB	1		STANDOFF BRACKET
C80	10 FT.		CONDUIT (SCHEDULE 80) 4"
C40	1		CONDUIT (SCHEDULE 40) 4"
SW	1		90° STEEL SWEEP 4"
FA	1		FEMALE ADAPTER
BL	1		BONDING LUG
GR	1		GROUND ROD
GW	1		GROUND WIRE
ST	10 FT.		GALVANIZED STEEL CONDUIT

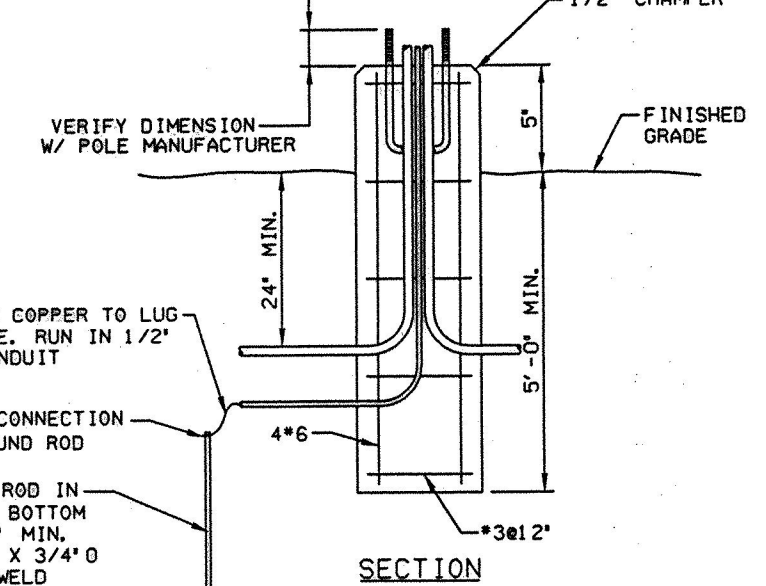
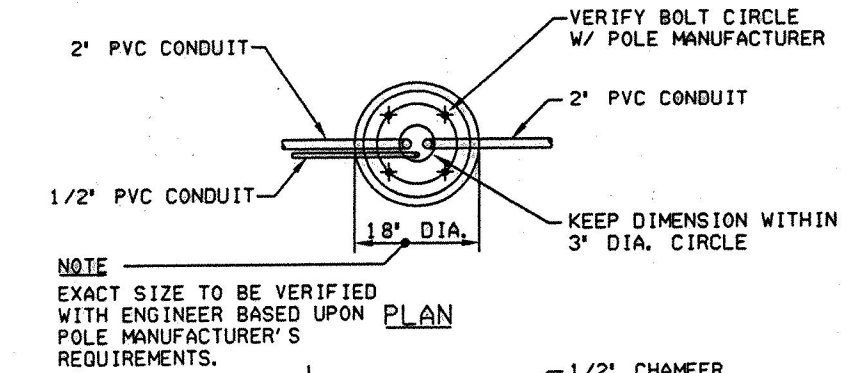
**ELECTRICAL RISER CONDUIT INSTALLATION**  
NOT TO SCALE

**A**  
E1,E7



**BENNINGTON MONUMENT ELECTRICAL SERVICE INSTALLATION**  
NOT TO SCALE

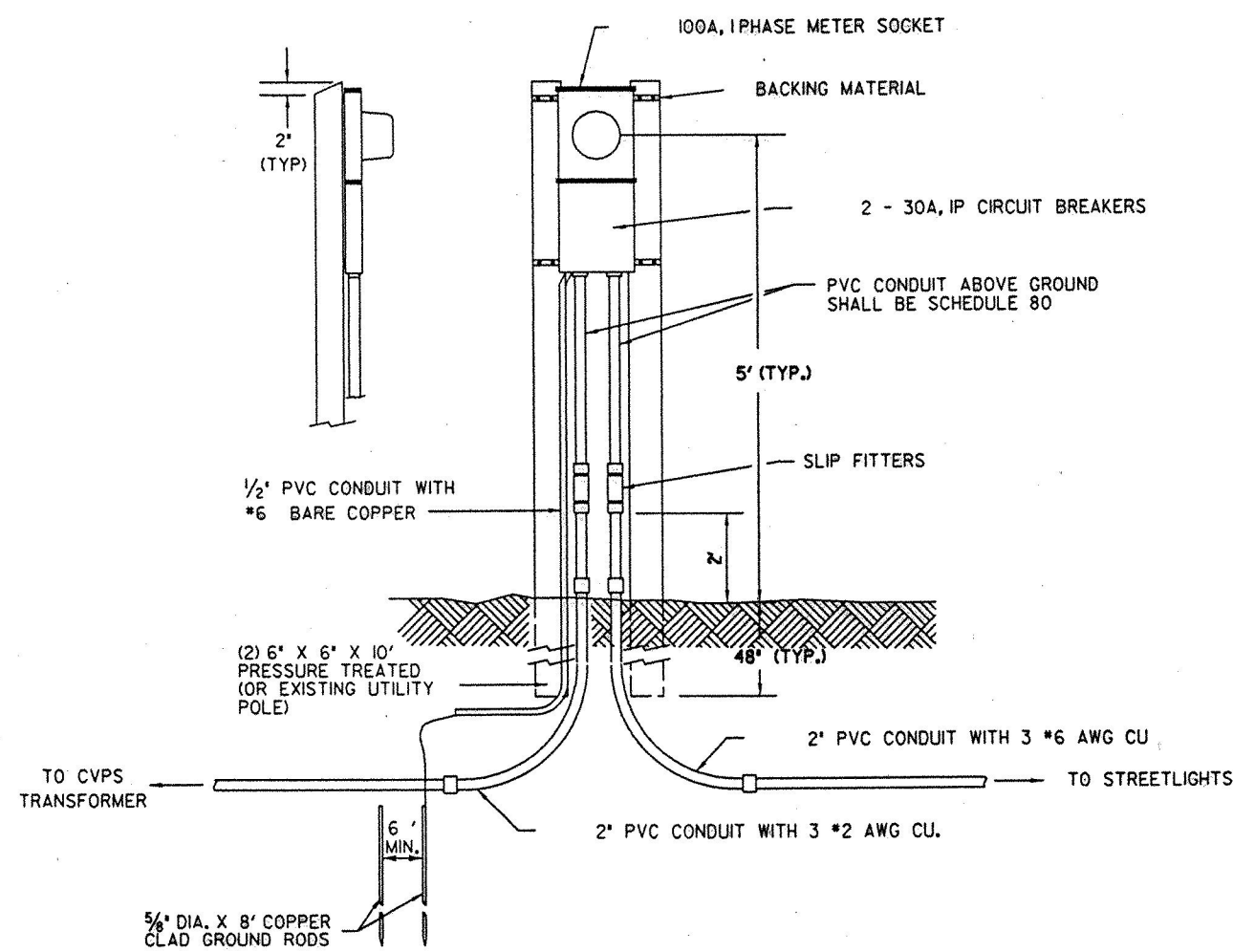
**C**  
E5,E7



**STANDARD POLE BASE DETAIL**  
NOT TO SCALE

**E**  
E2,E3,E5,E7

ALL HARDWARE NEEDED TO ERECT THIS LIGHT FIXTURE TO BE INCLUDED IN THE ITEM 679.50 LUMINAIRE.

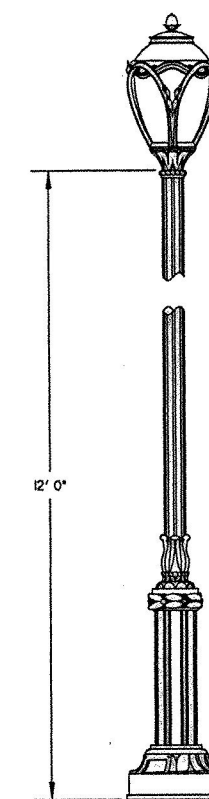


**STREET LIGHT ELECTRICAL SERVICE INSTALLATION**  
NOT TO SCALE

**D**  
E2,E5,E7

STREET LIGHT  
SENTRY CAT. NO.  
SCP - 175MH - 120V - BLACK WITH  
SAL - B - 12' BLACK WITH LAMP AND  
PHOTOCELL

WITH PHOTOCELL IN POLE  
AND TYPE III DISTRIBUTION



**STREET LIGHT FIXTURE DETAIL**  
NOT TO SCALE

**F**  
E2,E3,E5,E7



NO.	DATE	BY	DESCRIPTION
1	JULY 1998		GENERAL REVISIONS

**VERMONT**

**UTILITY PLAN**  
DETAIL: S

**BENNINGTON**



Project No.	20000010
Project Manager	R.F. KISCHIKO
Project Designer	L.A. BLACK
Drawn By	M. MELLEUR
Checked By	R.F. KISCHIKO
Scale	AS SHOWN
Approved	AS SHOWN
Date	MARCH 1998

**E9**