

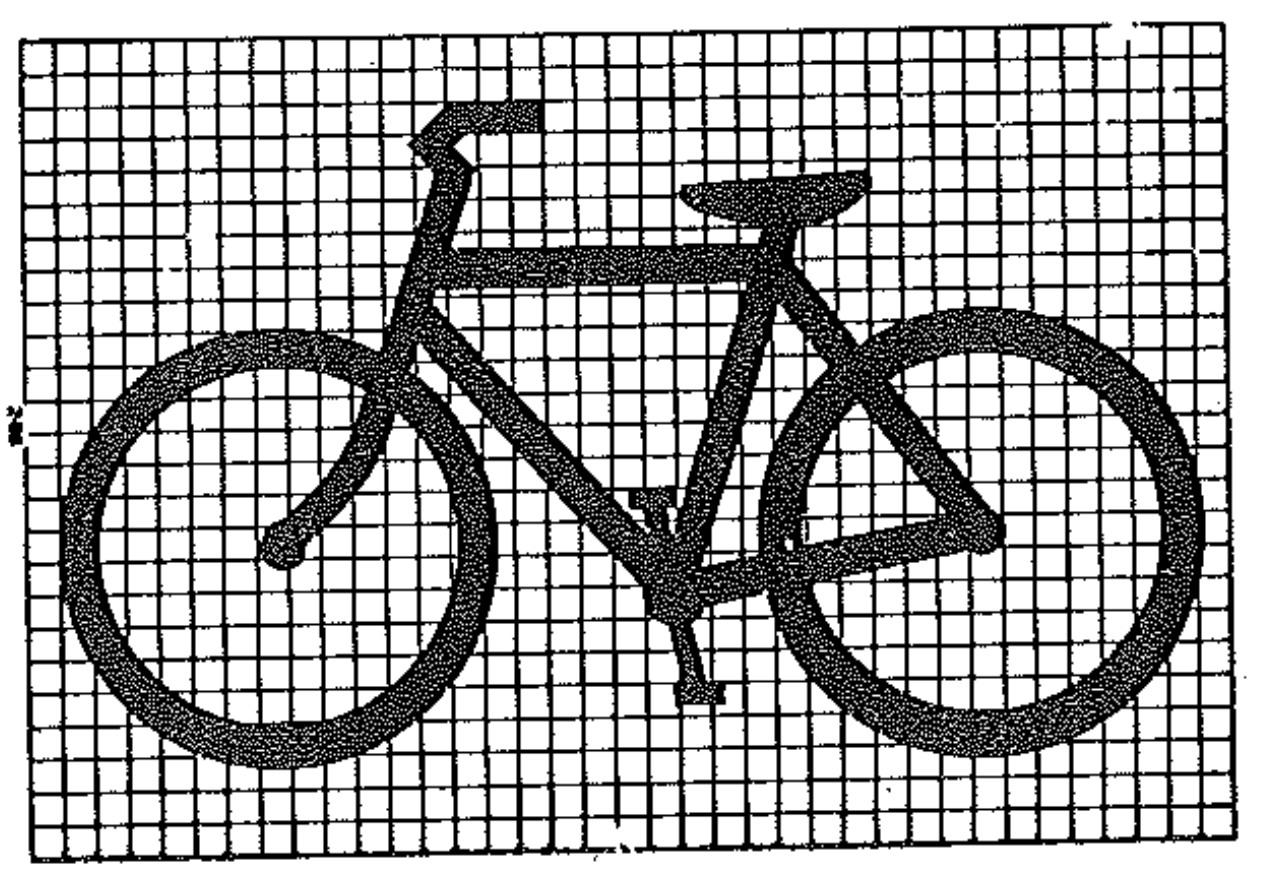
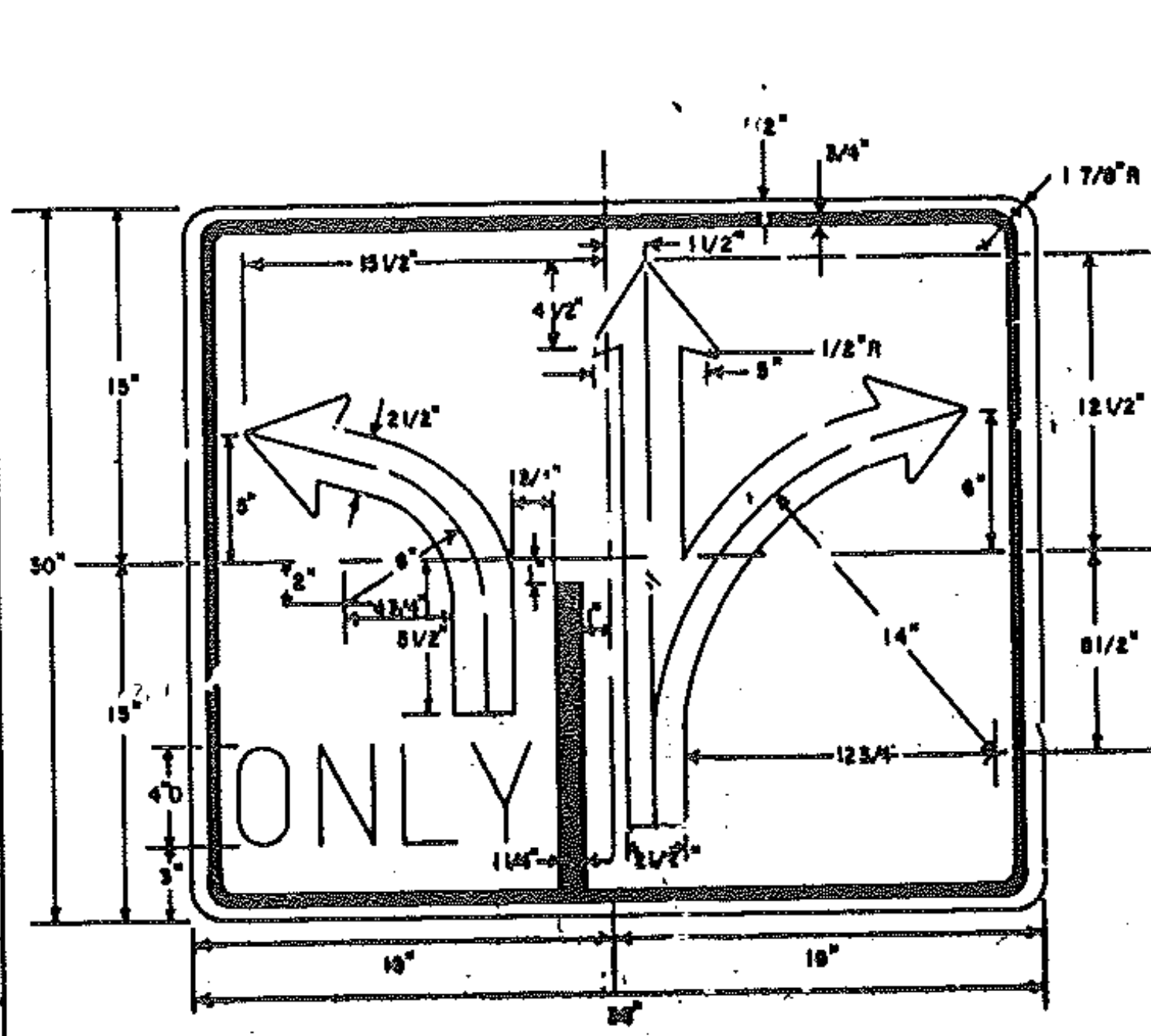
TRAFFIC SIGN SUMMARY SHEET

1986

MARKER, LOCATION, NUMBER	SIGN LEGEND	SIGN DIMENSIONS	EXISTING SIGNS			NEW AND SALVAGED SIGNS				EXISTING POSTS				NEW SIGN POSTS												REMARKS	FOR SIGN DETAIL SHEET					
			TO BE SALV.	REMOVE	RETAIN	'A'	'B'	SALV. SIGN	SALV. T.S.	RET.	DRILL	REM.	SALV.	NUMBER OF POSTS	FLANGED CHANNEL LB./FT.			TUBULAR ALUMINUM				TUBULAR STEEL					W SHAPED STEEL				PLAN SHEET NUMBER	STD. SHEET NUMBER
															2.0	2.5	3.0	3.0'Ø	3.0'□	4.0'Ø	4.0'ØM.	3'Ø	3.5'Ø	4.0'Ø	5.0'Ø		POST SIZE	WEIGHT	24'	30'		
950 Rt.		36"x36"				9.0						1				X														E-152		
50 Lt.		36"x36"				9.0						1				X													E-152			
50 Lt.		24"x18"				3.0						1			X													30				
55 Lt.		24"x30"						1				1			X																	
4790 Rt.		24"x30"						1				1			X																	
23 Lt.		36"x30"				7.5						1			X														30			
50 Rt.		24"x18"						1				1			X																	
00 Rt.		24"x30"				5.0						1			X															E-142		
50 Lt.		36"x36"				9.0						1				X														E-152		
			EA.	SF.	SF.	EA.	SF.					364.0																				
POST LENGTHS ARE TO BE DETERMINED IN THE POST SIZES ARE COMPUTED BASED ON INFORMATION ON THE STANDARD SHEETS AND THE DESIGN MANAGER'S 'SIGN POST DESIGN MANUAL'.			TOTALS																													

ITEM NO.	ITEM	UNIT	QUANTITY	RNDG.	TOTAL
31 (MOO)	Thinning & Trimming	EA	3	-	3
10	Uniformed Traffic Officer	HR	40.57	-	40.57
10	Traffic Control	LS	1	-	1
1.30	Durable 4" White Line	LF	386	4	390
6.31	Durable 4" Yellow Line	LF	6658	2	6660
16.35	Durable 8" Yellow	LF	142	3	145
46.40	Durable 24" Stopbar	LF	101	4	105
46.42	Durable Arrow Marking	EA	12	-	12
46.44	Durable Letter in Word Marking	EA	60	-	60
46.50	Temporary 4" White Line	LF	5775	25	5800
46.50 (MOD)	Temporary 4" White Line	LF	600	-	600
46.51	Temporary 4" Yellow Line	LF	9040	60	9100
46.51 (MOD)	Temporary 4" Yellow Line	LF	1600	-	1600
46.60	Temporary 24" Stopbar	LF	200	-	200
46.80	Removal of Existing Pavement Marking	SF	1187	13	1200
75.20	Traffic Signs, Type A	SF	117.1	2.9	120
75.30	Flanged Channel Sign Posts	LB	800	-	800
75.50	Removing Signs	EA	31	-	31
75.60	Erecting Salvaged Signs	EA	4	-	4
78.15	Traffic Control Signal System	EA	1	-	1
78.21	Electrical Conduit (1/2")	LF	75	-	75
78.22	Vehicle Loop Detector	LF	425	-	425
80.20 (MOO)	Travel Info Signs (Non-Part Fed Funds)	SF	40	-	40

NOTES AND DETAILS



See Std. E-150 for materials

DIMENSION (INCH)	DIMENSIONS (INCH)										
	A	B	C	D	E	F	G	H	J	K	
STD. & DRG.	3/4	1 1/2	1 1/2	1 1/2	1 1/2	3/4	1 1/2	1 1/2	1 1/2	1 1/2	

LEGEND - BLACK (NON REFLECTIVE)
BACKGROUND - WHITE (REFLECTIVE)

LEGEND - WHITE (REFL)
BACKGROUND - GREEN

TRAFFIC SIGN SUMMARY SHEET

PREPARED BY LKA DATE 10/87
 CHECKED BY _____ DATE _____
 DESIGN SUPERVISOR _____ DATE _____
 PROJ. COLCHESTER
RS 0285(5)
 TRAFFIC SHEET NO. _____ OF _____
 SHEET 30 OF 33 SHEETS