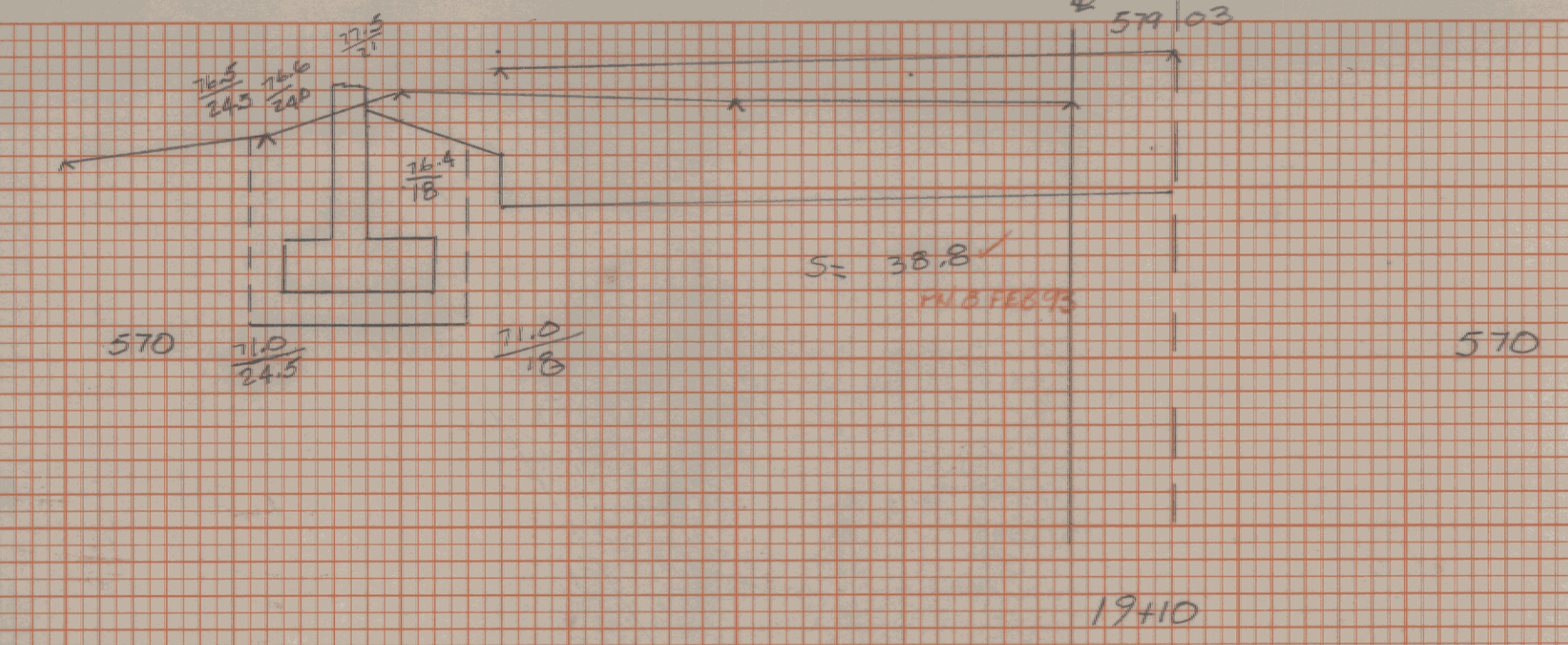
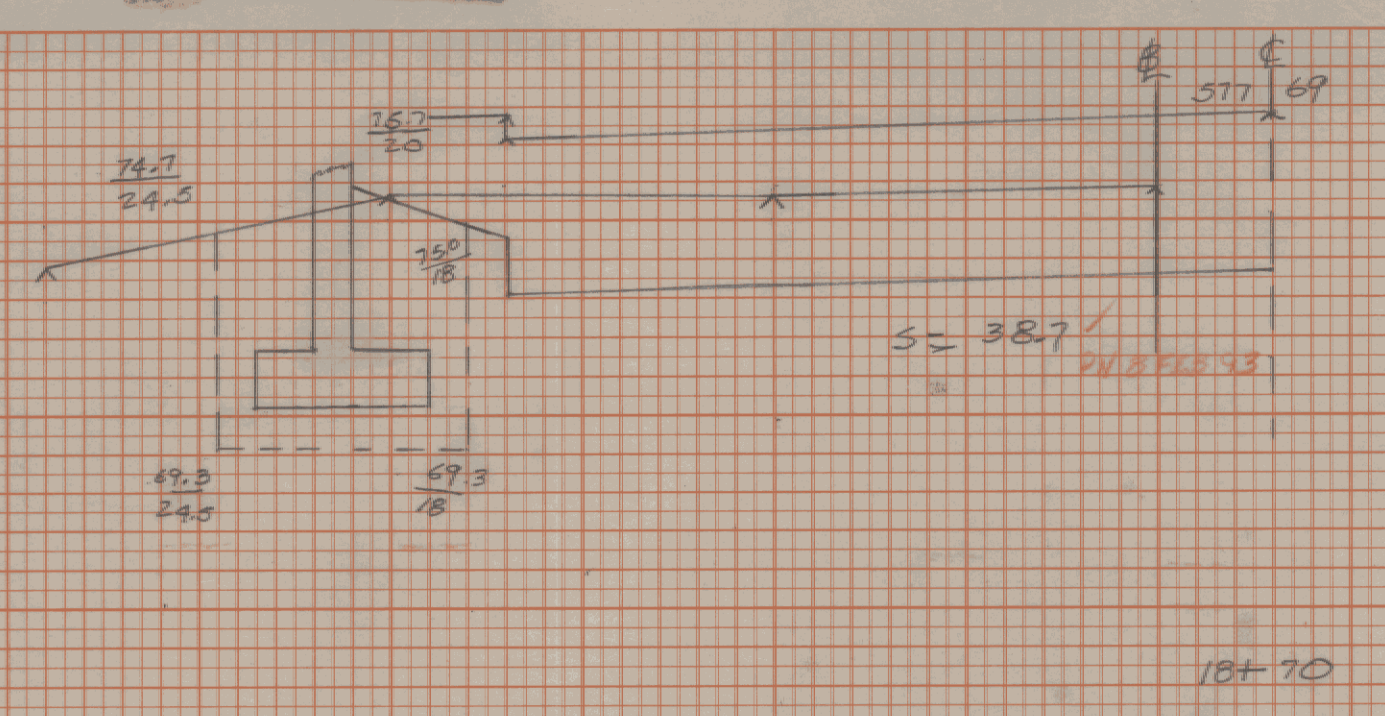


FINAL SURVEY NOTE BOOK  
 NO. \_\_\_\_\_  
 DATE \_\_\_\_\_  
 BY \_\_\_\_\_  
 PROJECT NO. \_\_\_\_\_  
 PLOTTED \_\_\_\_\_  
 TRIMPLATE \_\_\_\_\_  
 AREA CHECKED \_\_\_\_\_

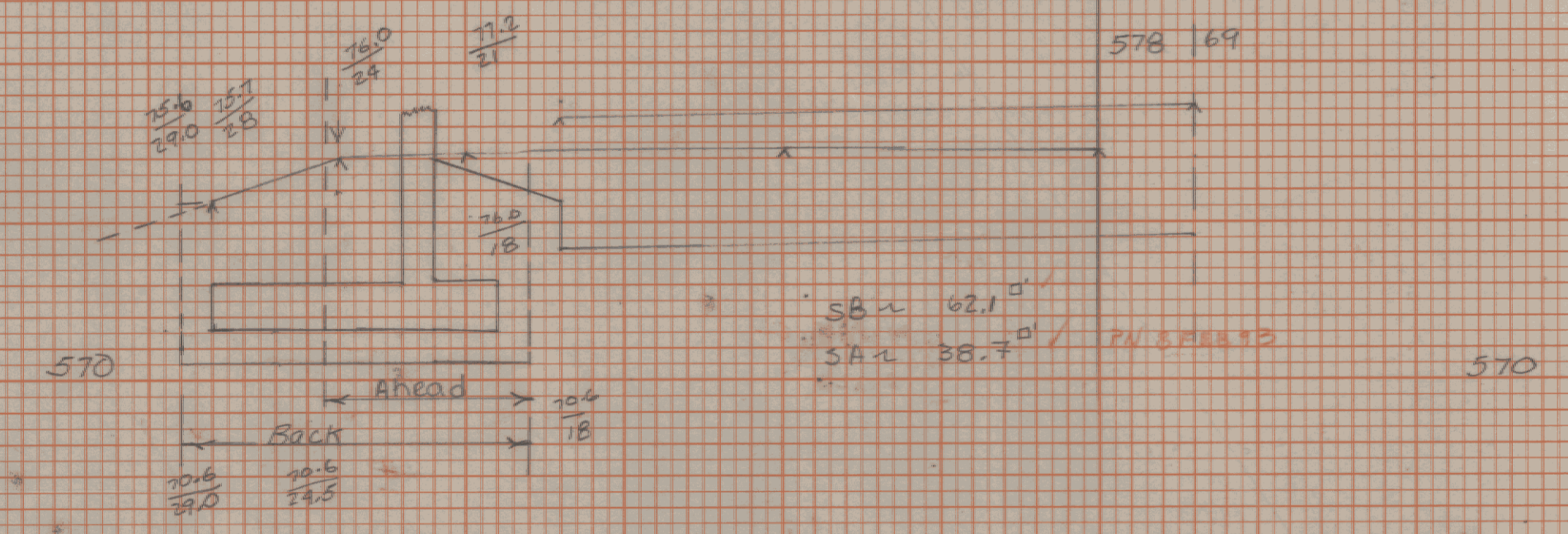
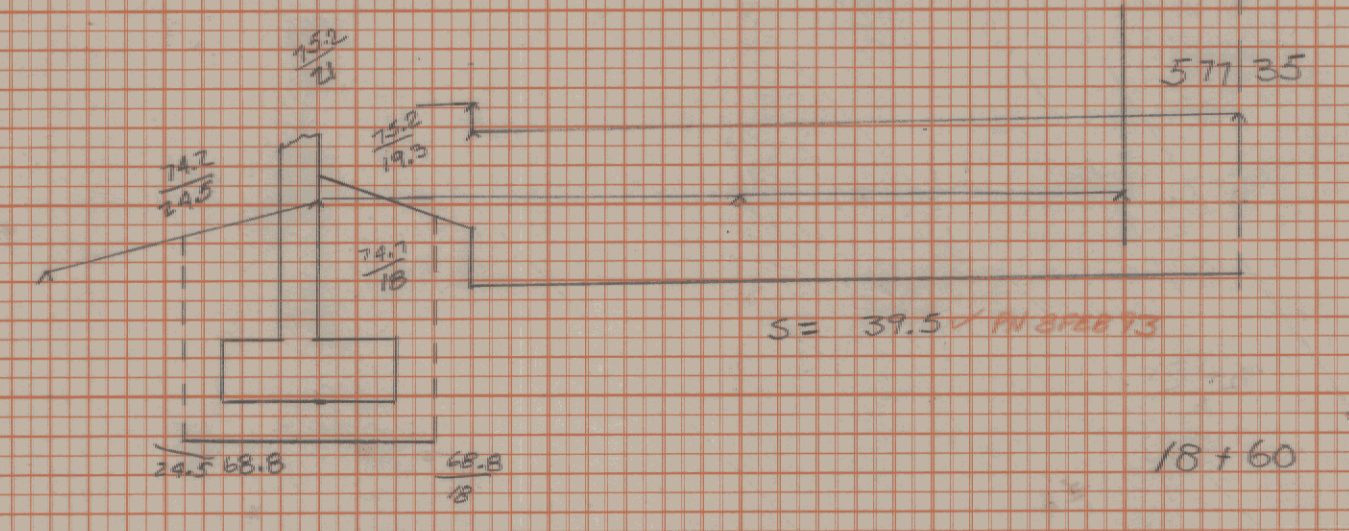
ORIGINAL SURVEY NOTE BOOK  
 NO. \_\_\_\_\_  
 DATE \_\_\_\_\_  
 BY \_\_\_\_\_  
 PROJECT NO. \_\_\_\_\_  
 PLOTTED \_\_\_\_\_  
 TRIMPLATE \_\_\_\_\_  
 AREA CHECKED \_\_\_\_\_



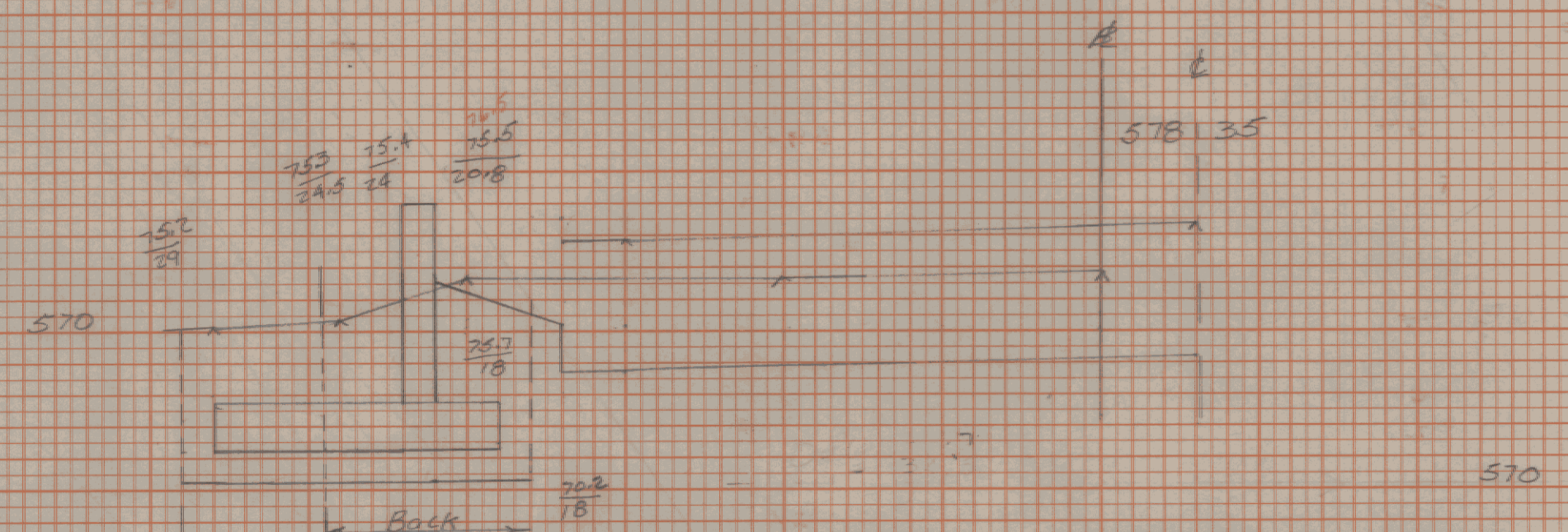
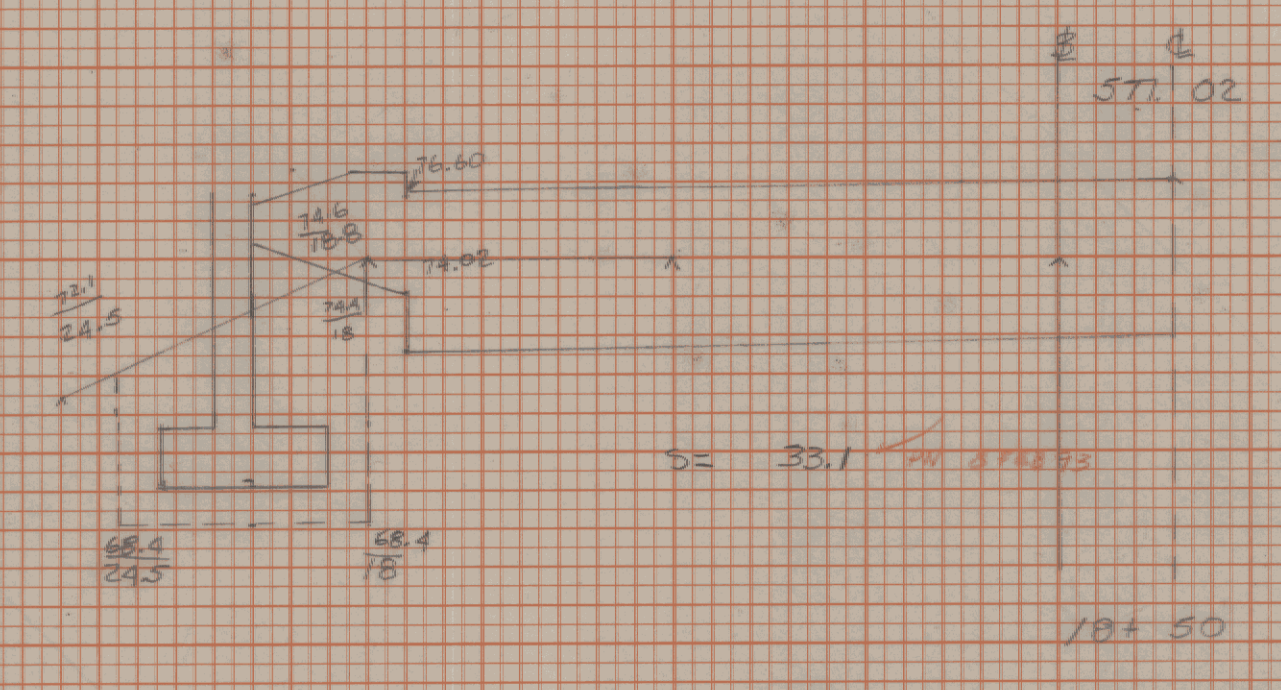
Struct Excav.

18+41	4.2	12.4
18+50	9.1	33.1
18+60	10.0	37.5
18+70	10.0	38.7
18+80	10.0	37.8
18+92.5 <sup>B</sup>	12.5	34.5
18+92.5 <sup>A</sup>	10.0	37.8
19+02.5 <sup>B</sup>	10.0	38.7
19+02.5 <sup>A</sup>	7.5	38.8
19+10	6.5	38.8
19+16.5 <sup>B</sup>	6.5	39.1
19+16.5 <sup>A</sup>	6.5	38.7
19+23	6.5	38.7

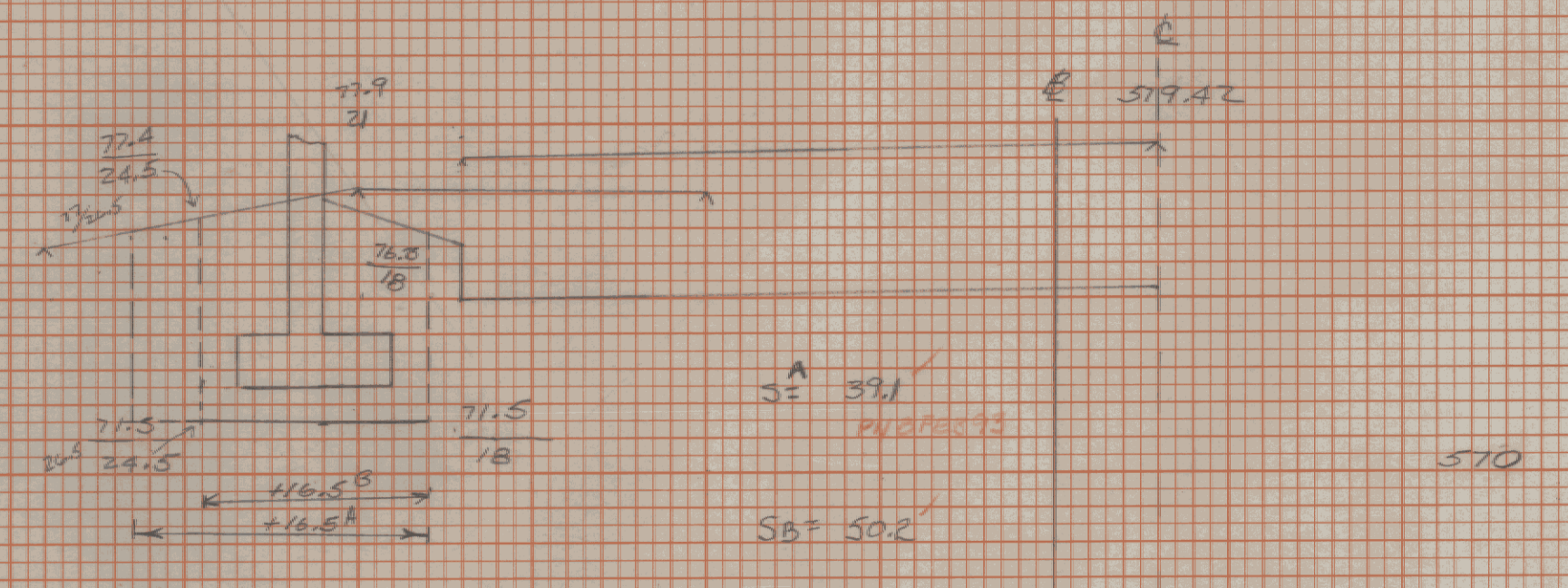
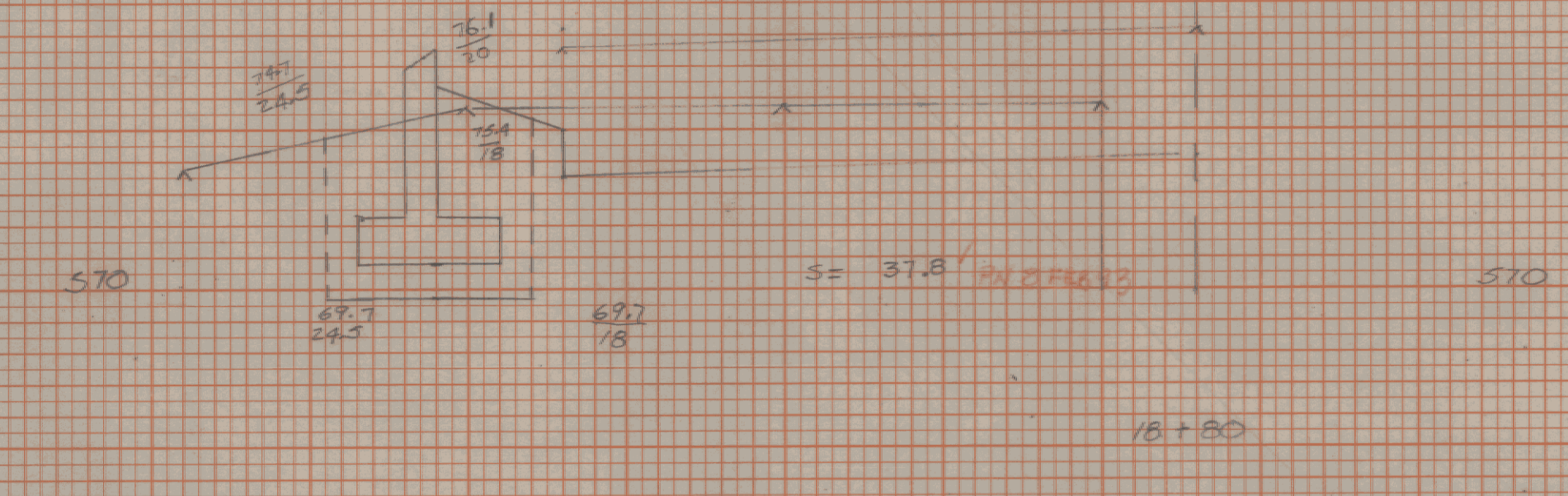
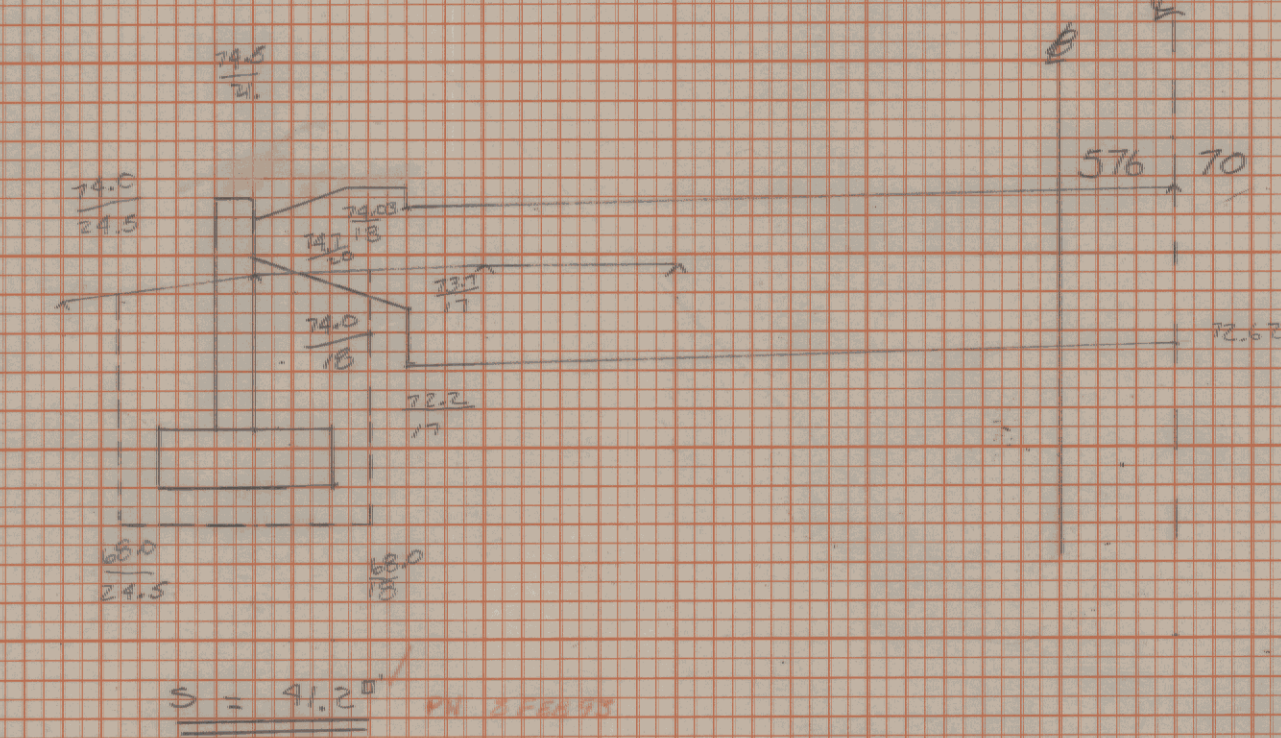
126.3 / 126.651  
 126.651  
 15.4.92  
 Book 3 Page 9



19+00 =  
 19+02.5



18+90 =  
 18+92.5



19+22 =  
 19+23

Scale  
 1" = 5'

Maxwell MEGG 6400 (1)  
 Structure Sections  
 Wall #5 (18+42-19+21.4)