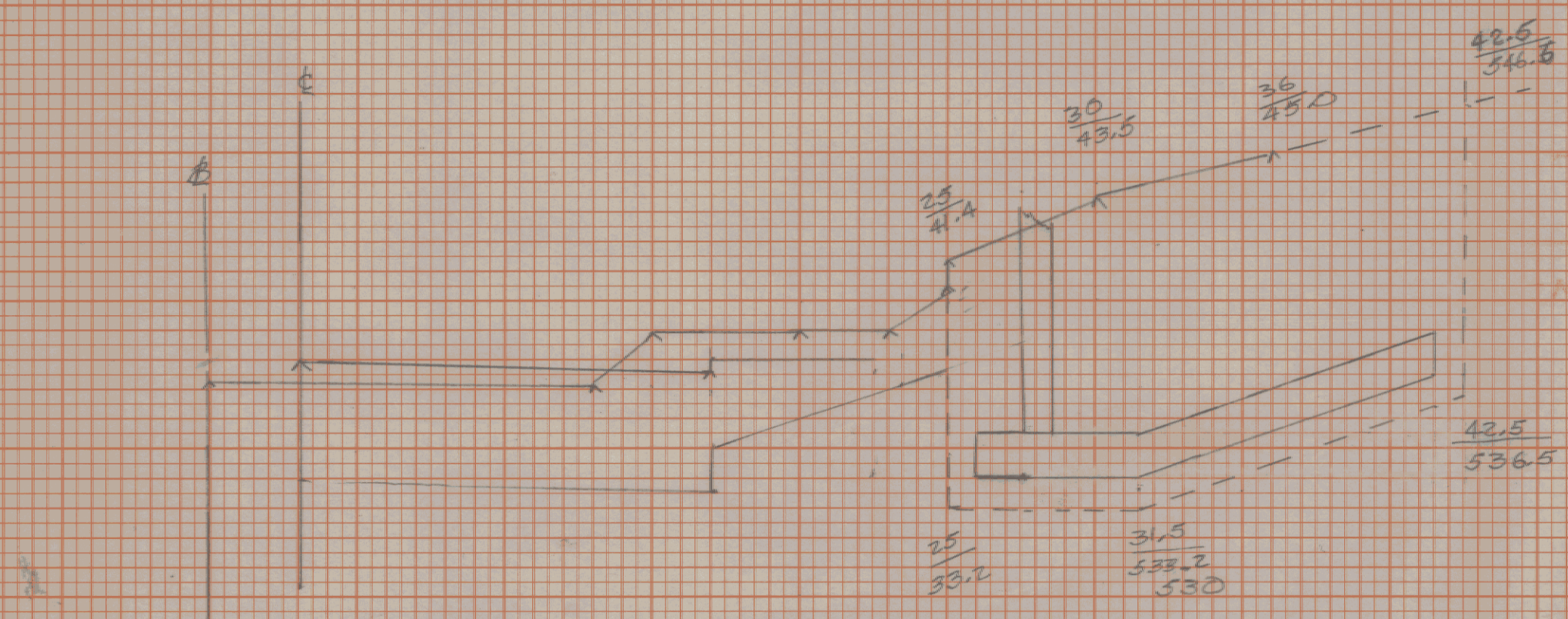
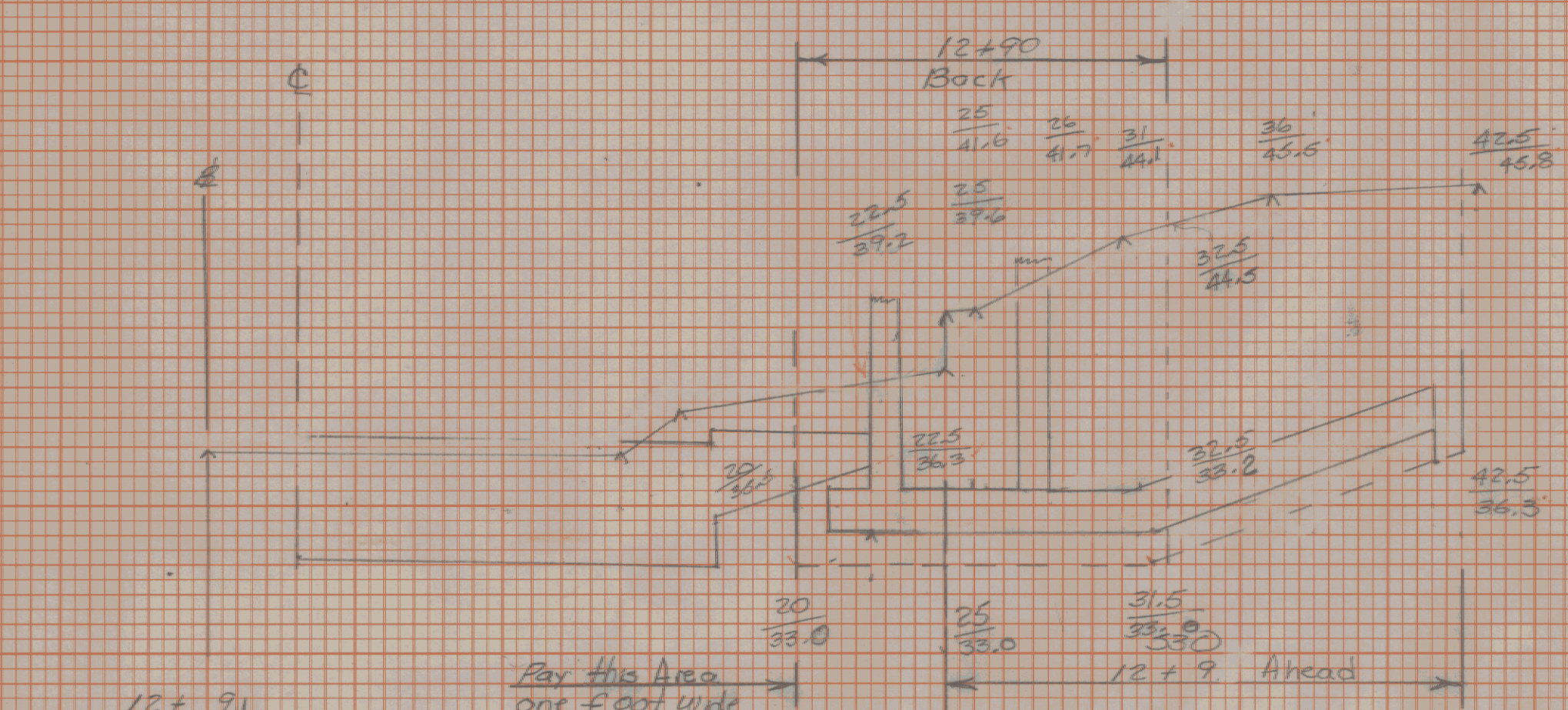


FINAL SURVEY NOTE BOOK No. \_\_\_\_\_  
 DATE \_\_\_\_\_  
 BY \_\_\_\_\_  
 SURVEYED, PLOTTED, AND CHECKED BY \_\_\_\_\_  
 AREAS CHECKED

ORIGINAL SURVEY NOTE BOOK No. \_\_\_\_\_  
 DATE \_\_\_\_\_  
 BY \_\_\_\_\_  
 SURVEYED, PLOTTED, AND CHECKED BY \_\_\_\_\_  
 AREAS CHECKED



Structure Area = 176.3  
 540



Structure Excavation = 181.2  
 48.9  
 12 x 90 one foot Area = 23.25  
 12 x 91

Martelac MESC M64000  
 Structure Section  
 Wall