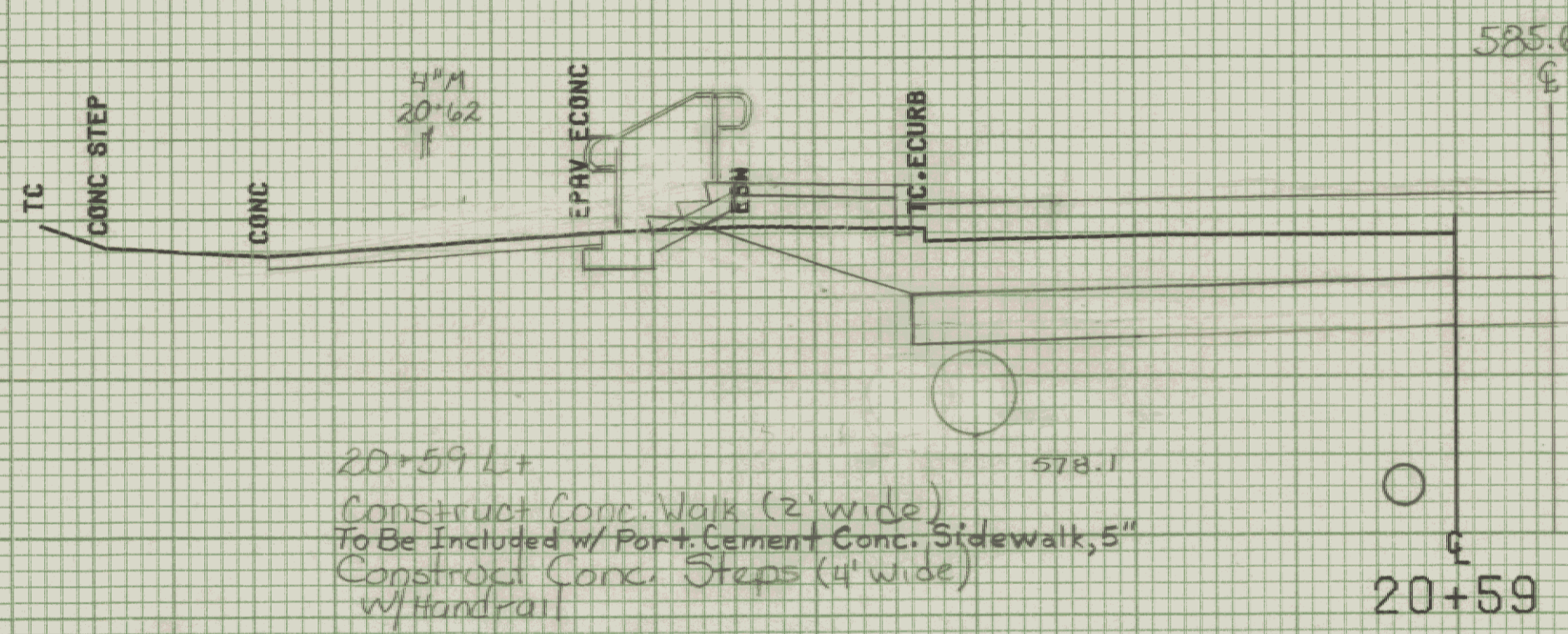


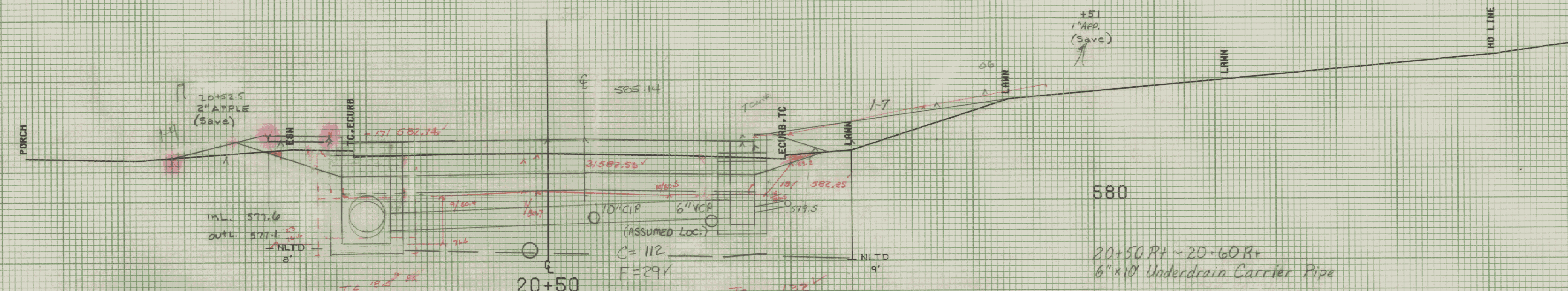
20+59 Lt  
End Vertical Granite Curb



20+59 Lt  
Construct Conc. Walk (2' wide)  
To Be Included w/ Port. Cement Conc. Sidewalk, 5"  
Construct Conc. Steps (4' wide)  
w/ Handrail

20+60 Rt  
Begin New 6" x 28" UNDERDRAIN  
w/ FLUSHING BASIN @ 23+42Rt

580



20+50 Lt  
Begin New 30' x 148' PCCSP. 079 or  
CAAP. 075  
End New 30' x 156' PCCSP. 079 or  
CAAP. 075

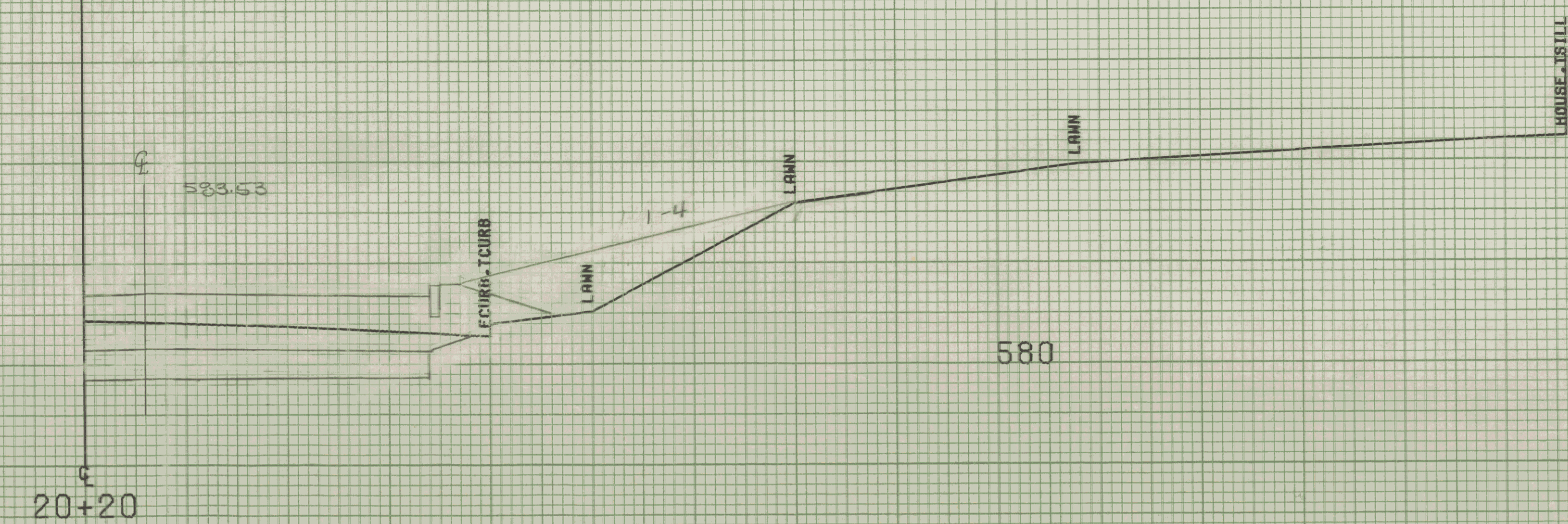
20+50  
New 18" x 28" PCCSP. 064  
or CAAP. 060

580

20+50 Rt ~ 20+60 Rt  
6" x 10" Underdrain Carrier Pipe

+34  
2' LILAC  
(Save)

20+25 Lt  
Begin Vertical Granite Curb



580

20+20

Plot 4-29-93

FROM STA. 20+20 TO STA. 20+59  
PROJECT NAME MONTPELIER MAIN2  
NO. M.E.U. - M6400(7) PLOTTED 08/07/85  
SURVEYED BY KASTNER-MOREAU JUNE 1985  
SHEET 168 OF 335 SHEETS

SCALE 5 FEET