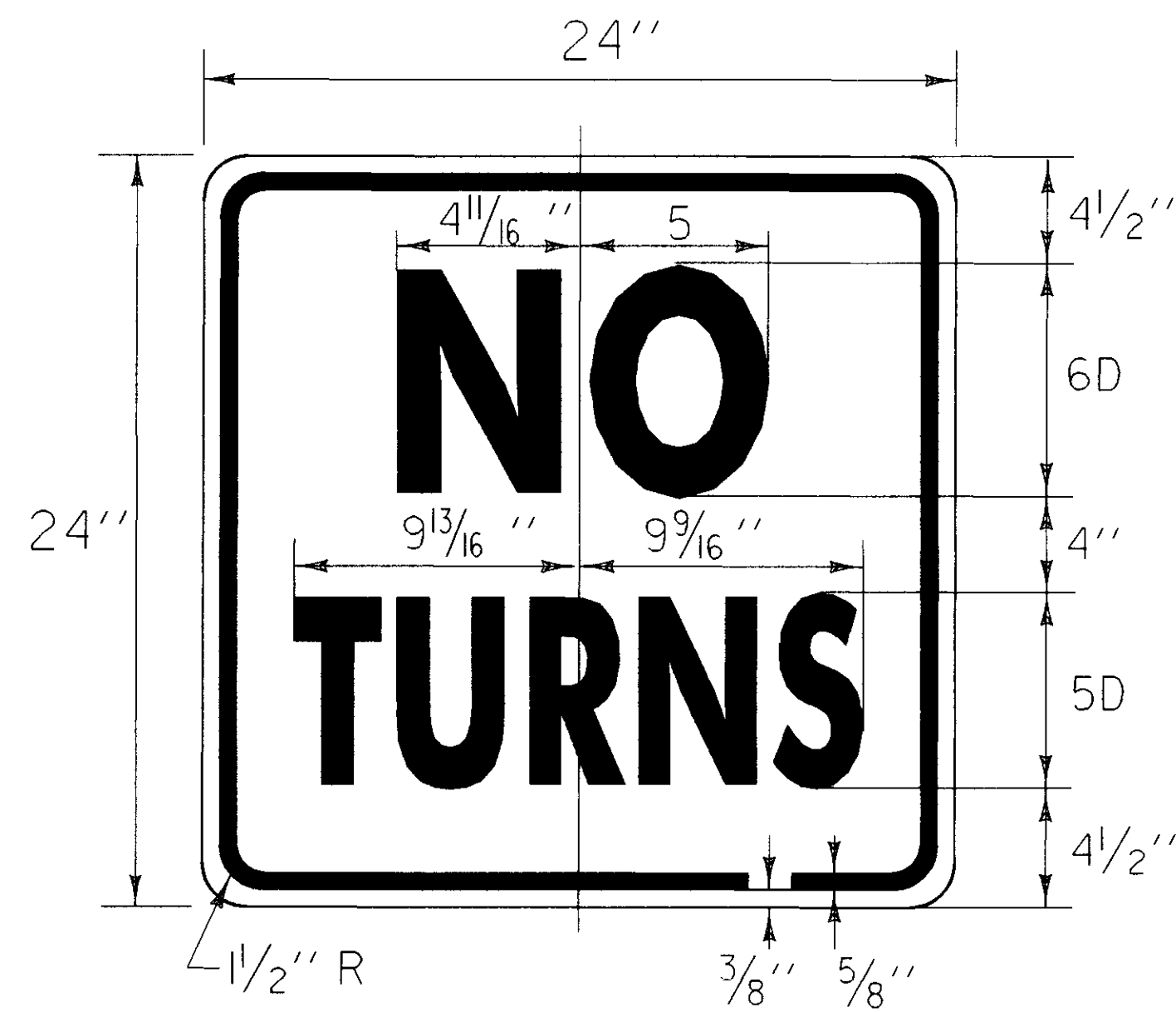


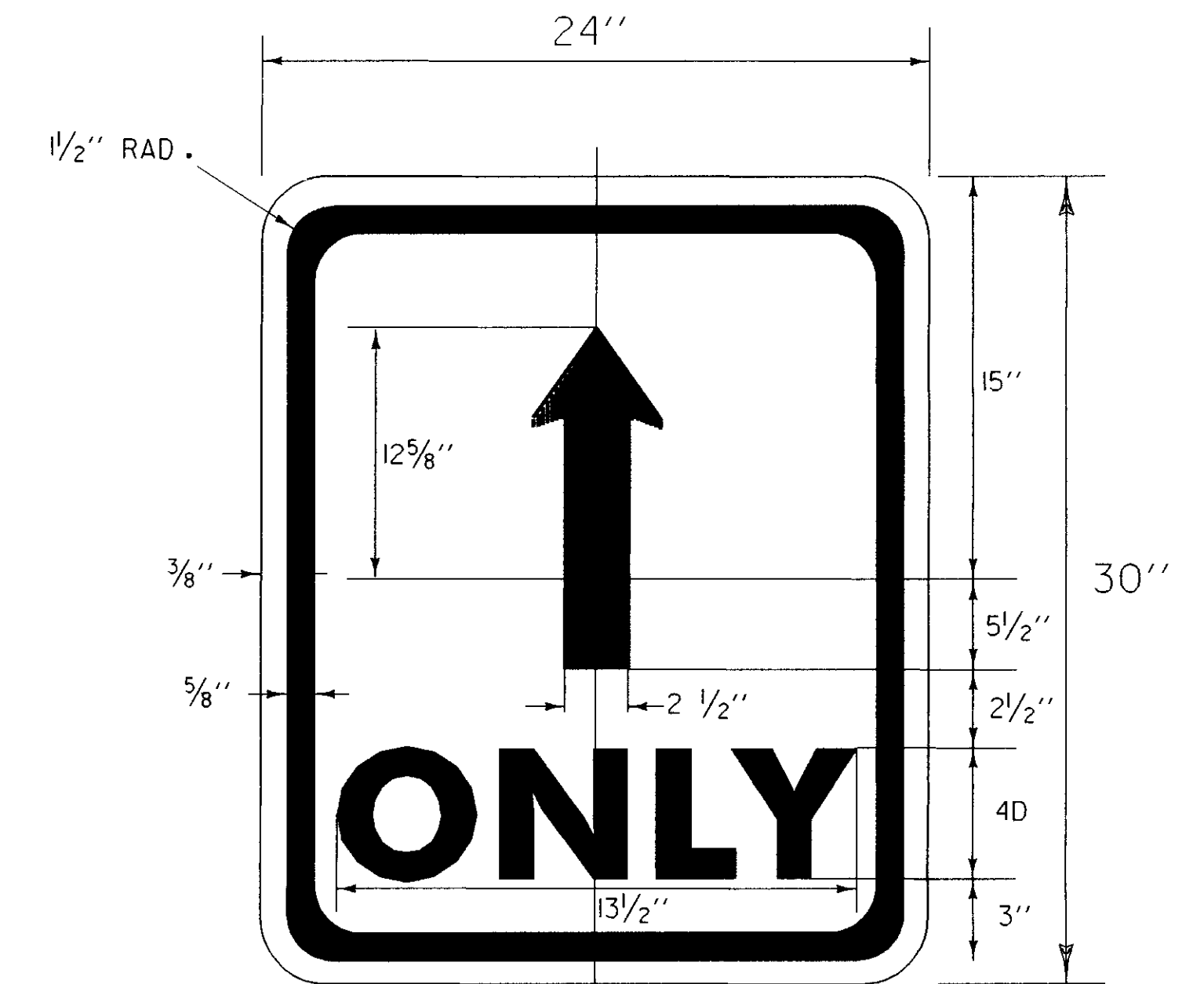
ARROW LEFT ALSO
MATERIALS & COLORS: SEE STANDARD E-143



COLORS

LEGEND BLACK (NON-REFL.)
BACKGROUND WHITE (REFL.)

SEE STD. E-140 FOR MATERIAL REQUIREMENTS



COLORS: LEGEND & BORDER BLACK (NON-REFL.)
BACKGROUND WHITE (REFL.)

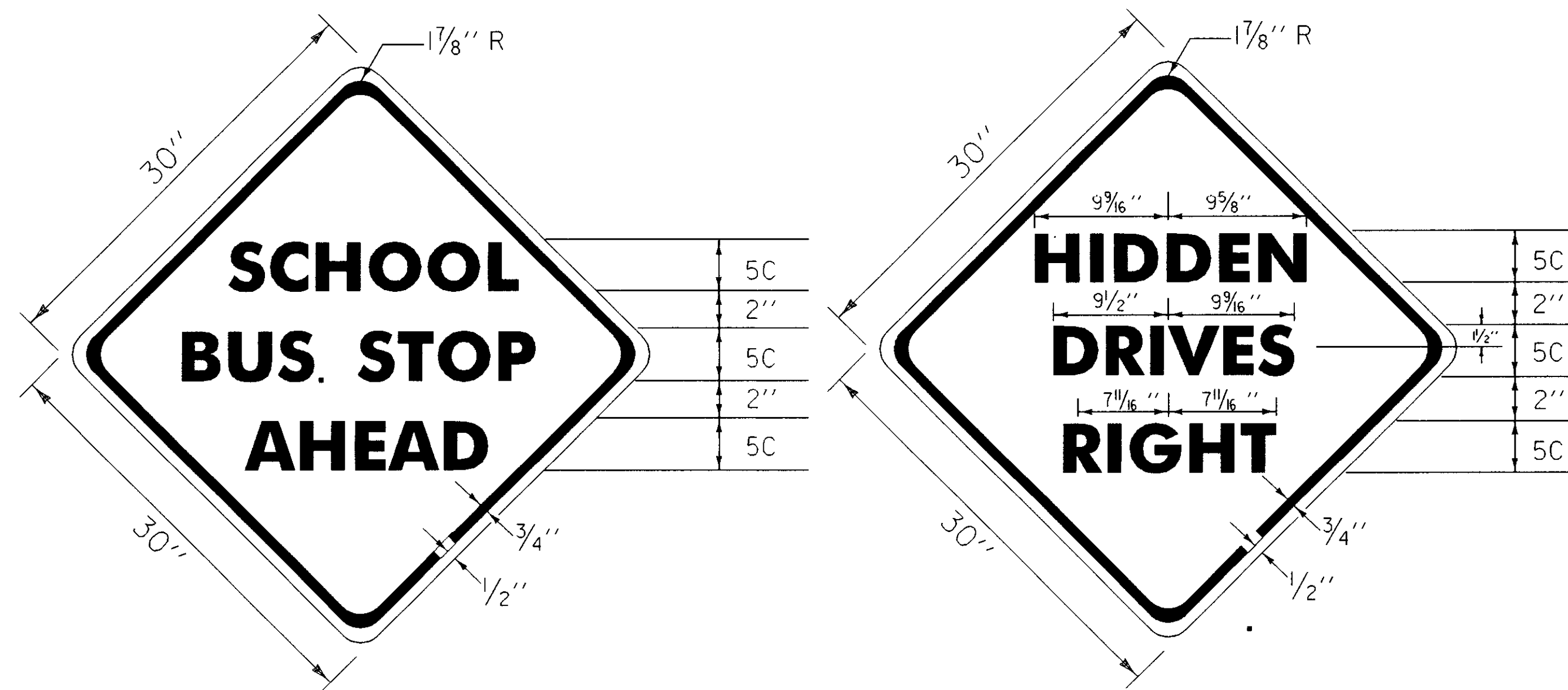
SEE STD. E-144 FOR MATERIAL REQUIREMENTS

COLORS

LEGEND - BLACK (REFLECTIVE)
BACKGROUND - YELLOW (REFLECTIVE)
(ENCAPSULATED LENS)

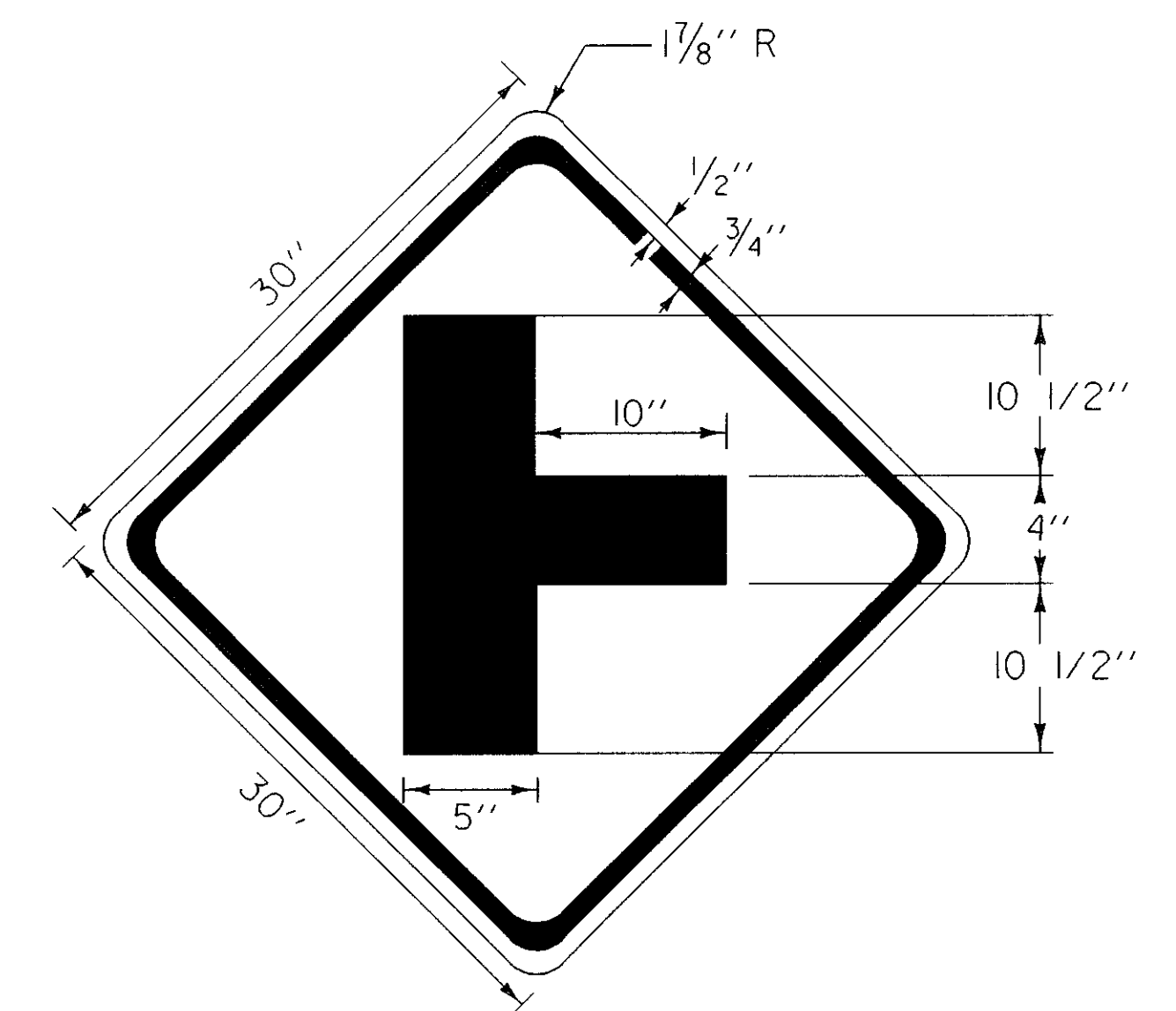


MATERIALS-SEE STANDARD E-131



COLORS: TEXT AND BORDER - BLACK (NON-REFL.)
BACKGROUND - YELLOW (REFL.)

SEE STANDARD E-150 FOR MATERIAL REQUIREMENTS



COLORS: TEXT AND BORDER - BLACK (NON-REFL.)
BACKGROUND - YELLOW (REFL.)

SEE STANDARD E-150 FOR MATERIAL REQUIREMENTS

DATUM
VERTICAL _____
HORIZONTAL _____

ARCHIVED
ON CADD

SURVEYED BY	N/A	DATE	N/A
DRAWN BY	CONST	DATE	2-90
SQUAD LEADER	TDS		
DESIGN FILE NO.	/usr/const/76b033/cb033d		
PRF FILE	76B033DT3.PRF	DATE PLOTTED	27-FEB-1996
PROJ. NAME	MONTPELIER		
PROJ. NO.	MEGC M 6400(7)		
SHEET	135	OF	335 SHEETS