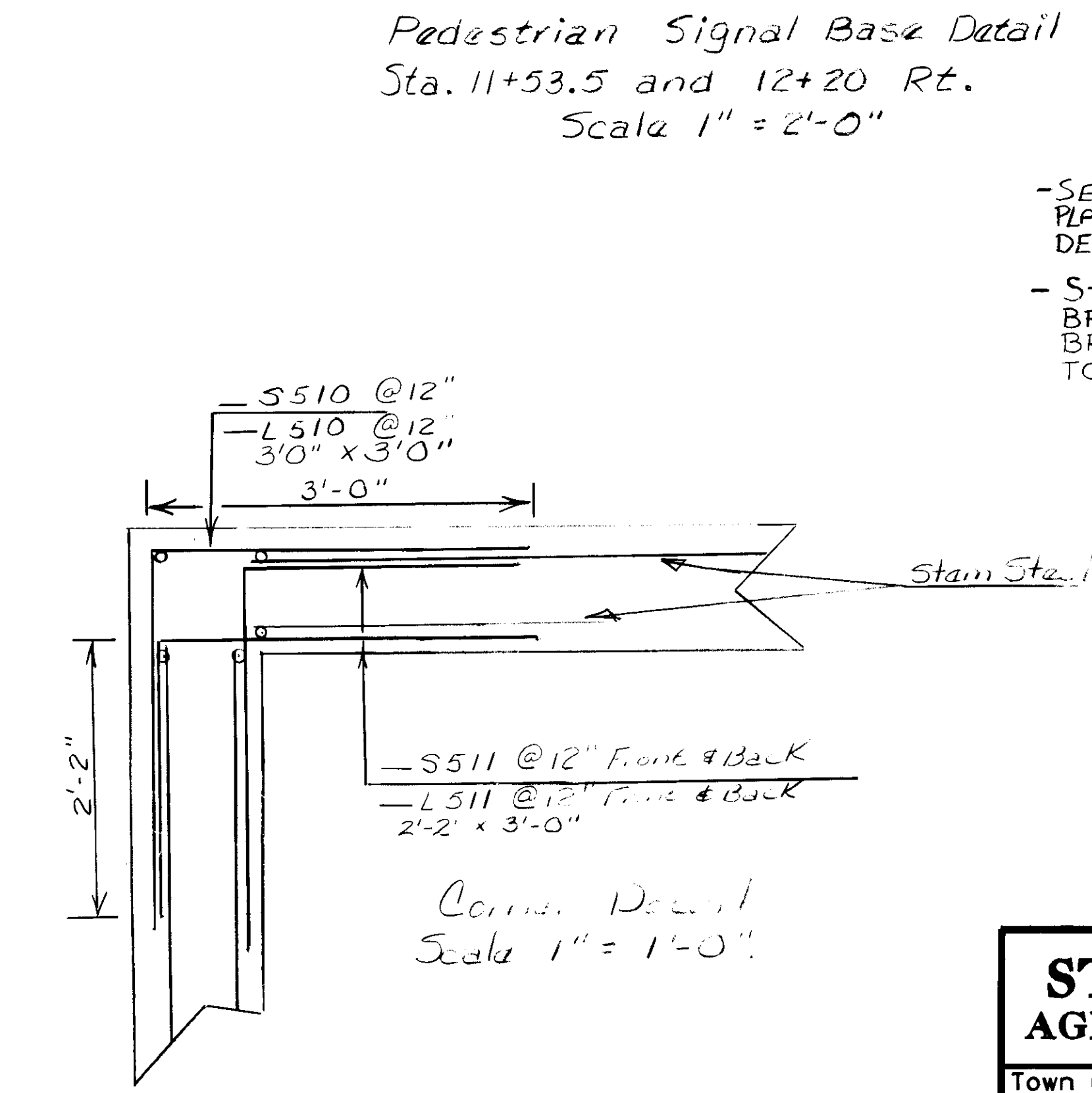
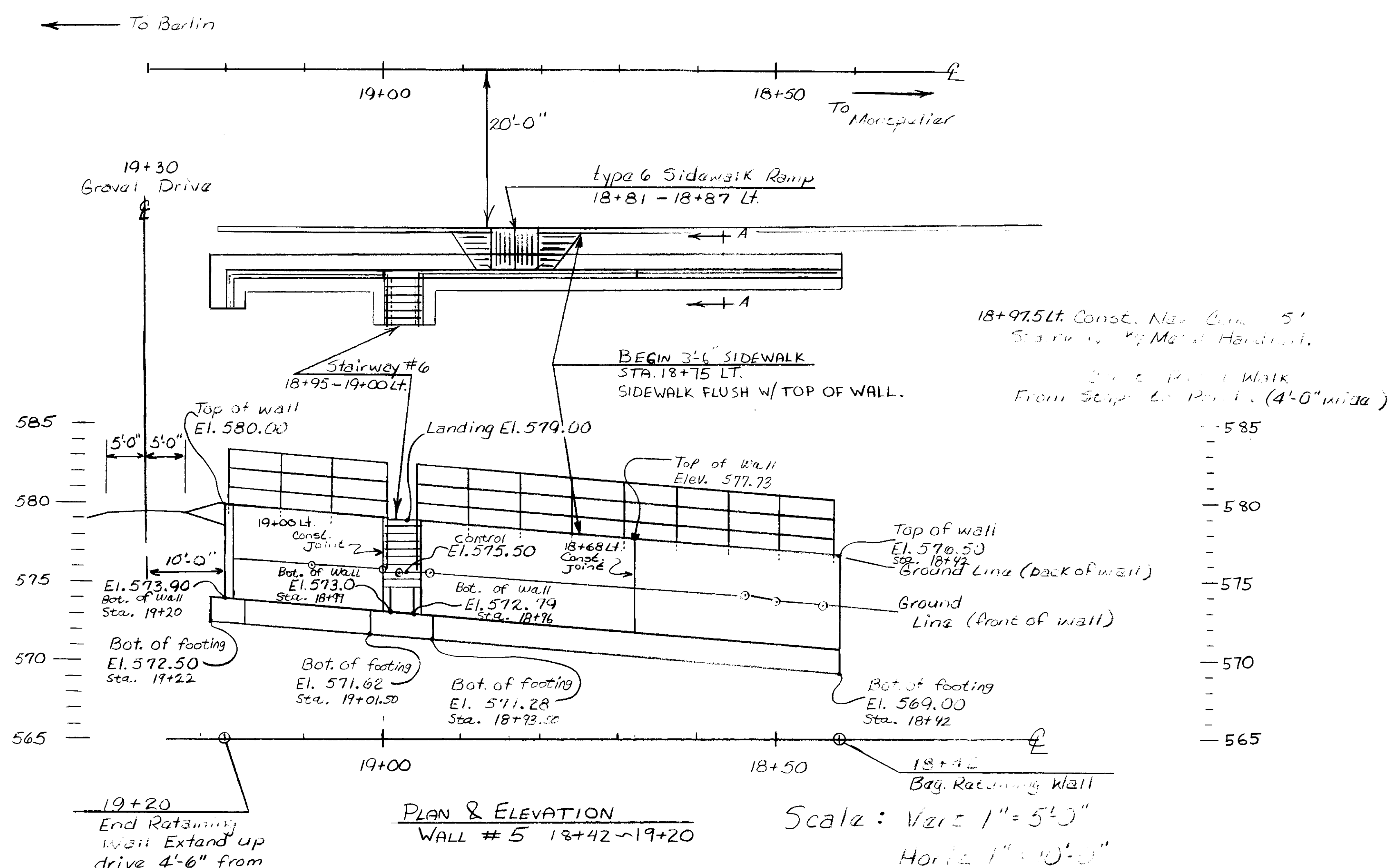


NOTES:

- SEE STANDARD E-170 IN ROADWAY PLANS FOR SIGNAL POST ANCHORAGE DETAILS.
- STAIR TREADS WILL HAVE LIGHTLY BROOMED FINISH. DIRECTION OF BROOMING SHALL BE PERPENDICULAR TO THE RISERS.



FRONT FACE OF ALL WALLS TO BE FORMED TO PRODUCE A TEXTURED SURFACE, SEE PROJECT GENERAL NOTES FOR SPECIFICATIONS. FRONT FACE OF THIS WALL IS THAT WHICH FACES THE EXISTING HOUSE.

STATE OF VERMONT AGENCY OF TRANSPORTATION	
Town Of <u>Montpelier</u>	Bridge No. <u> </u>
Highway No. <u>11</u>	Log Sta. <u> </u>
Retaining Wall #5 Stairway #6 Details PLAN & ELEVATION	
Designed By <u>PE Provost</u>	Drawn By <u>mmw</u>
Checked By <u>P.E. Provost</u>	Date <u>7/89</u>
PROJECT <u>Montpelier, Ber. Sc.</u> PROJECT NO. <u>MECC 16400(?)</u>	
I.G.C. Info. <u>N/A</u>	
Bridge Sheet No. <u>7 of 10</u>	Sheet <u>109</u> of <u>335</u>

BRUNING 44,232,73216