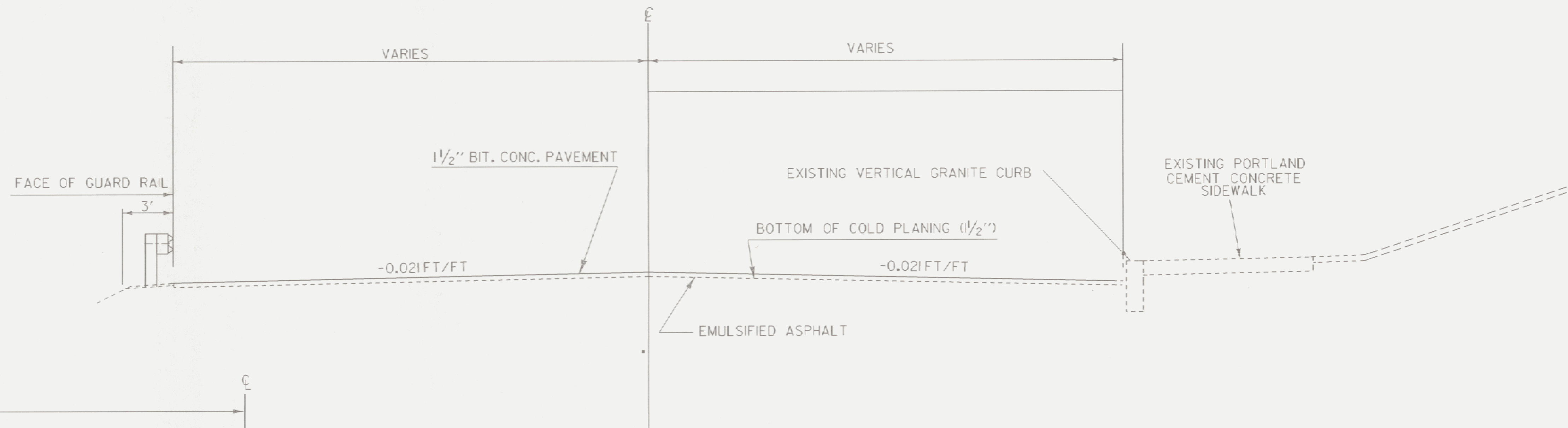


TYPICAL SECTIONS

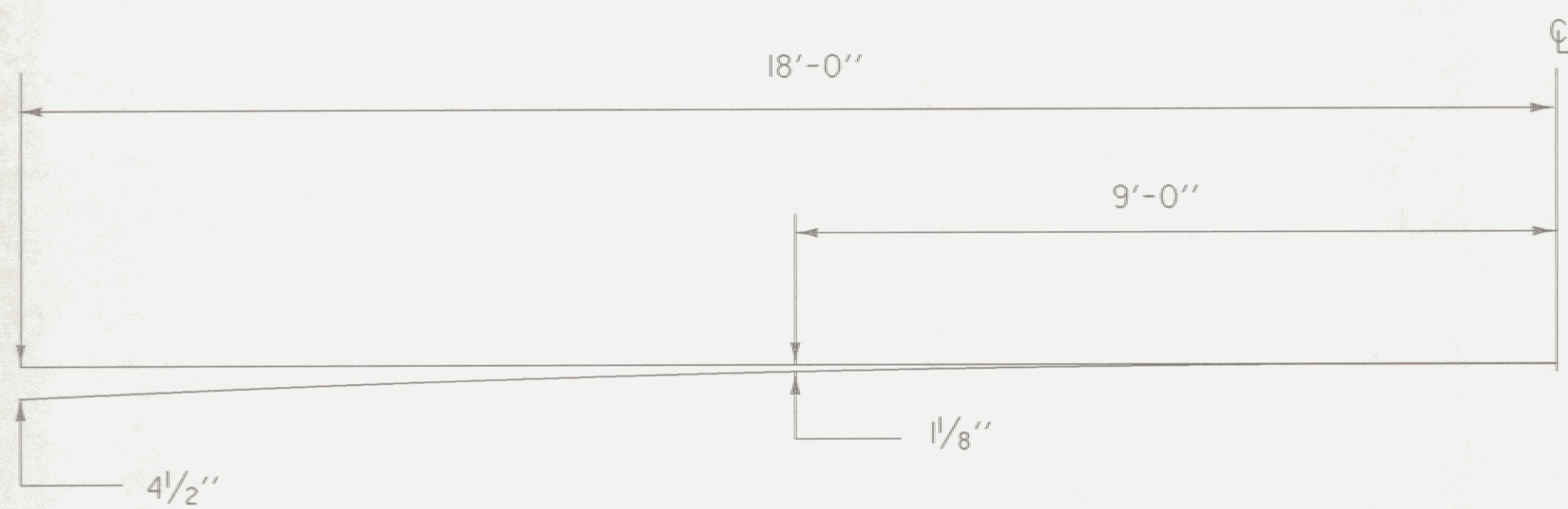
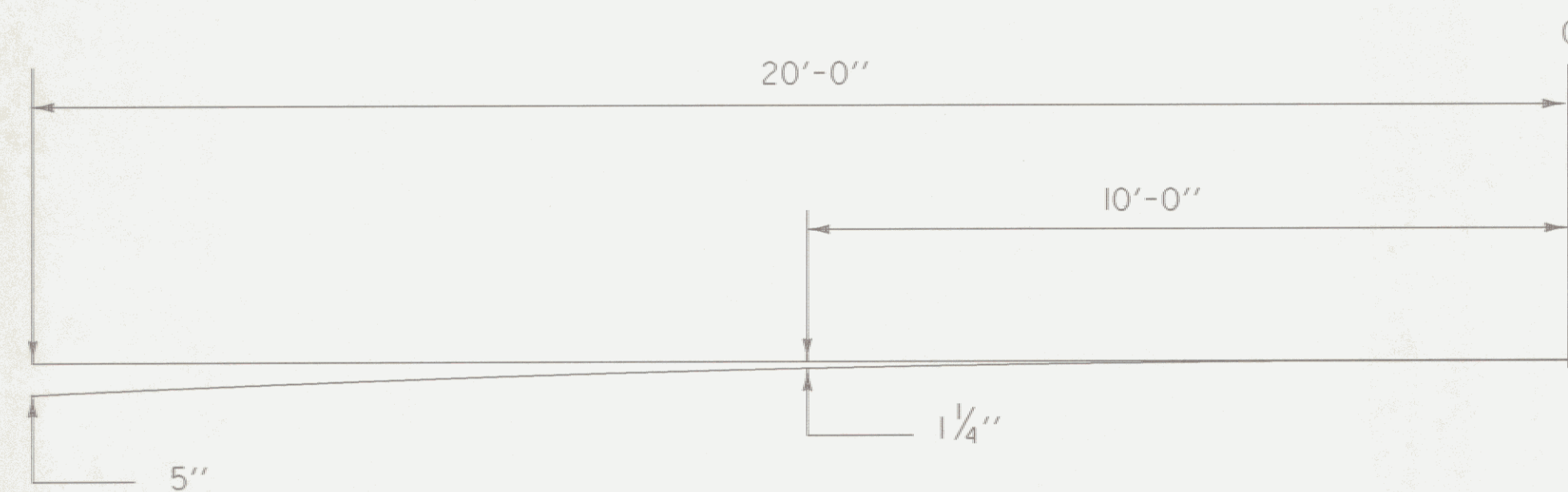
1 1/2" BITUMINOUS CONCRETE PAVEMENT, TYPE III

EMULSIFIED ASPHALT TO BE APPLIED AT
A RATE OF 0.015 GAL./S.Y.

MATERIAL ITEM	THICKNESS TOLERANCE
BITUMINOUS	± 1/4"



NORMAL SECTION W/ SIDEWALK ON RIGHT SIDE



LOCATION	BEGIN STATION	END STATION	TYPICAL	WEARING
BERLIN ST. APPR.	8+90	11+00	20-20	1 1/2"
RIVER ST. APPR.	SL 80+85	SL 86+10	18-18	1 1/2"

**ARCHIVED
ON CADD**

DATUM
VERTICAL _____
HORIZONTAL _____

SURVEYED BY _____ DATE _____
 DRAWN BY const DATE 11-90
 SQUAD LEADER SHERIDAN
 DESIGN FILE NO. /usr/const/76b033/cb033a
 PRF FILE 76B033PT.PRF DATE PLOTTED 21-FEB-1996
 PROJ. NAME MONTPELIER
 PROJ. NO. MEGC M6400(7)
 SHEET 5A OF 335 SHEETS