

# TYPICAL SECTIONS

NOT TO SCALE

## SEEDING FORMULA , ITEM 651.15 URBAN AREAS

% WT.	LBS./A.	NAME	PUR %	GERM %
37.5	30	CREeping RED FESCUE	98	85
31.25	25	KENTUCKY BLUE GRASS	85	75
31.25	25	PERENIAL RYE GRASS	95	90
100.00	80			

THE SEED MIXTURE SHALL NOT HAVE A WEED CONTENT EXCEEDING 0.40% BY WEIGHT AND SHALL BE FREE OF ALL NOXIOUS WEED SEED.

SEED- TO BE APPLIED PER SEEDING FORMULAS DIRECTED BY THE ENGINEER.

FERTILIZER- FORMULA 10-20-10 TO BE USED WITH SEED, APPLIED AT THE RATE OF 500 LBS./ACRE.

AGRICULTURAL LIMESTONE- TO BE APPLIED AT THE RATE OF 2 TONS/ACRE OR AS DIRECTED BY THE ENGINEER.

HAY MULCH- TO BE PLACED ON EARTH SLOPES AT THE RATE OF 2 TONS/ACRE, OR AS DIRECTED BY THE ENGINEER.

TOPSOIL- TO BE USED WITH SEED AS INDICATED ON THE PLANS, OR AS DIRECTED BY THE ENGINEER.

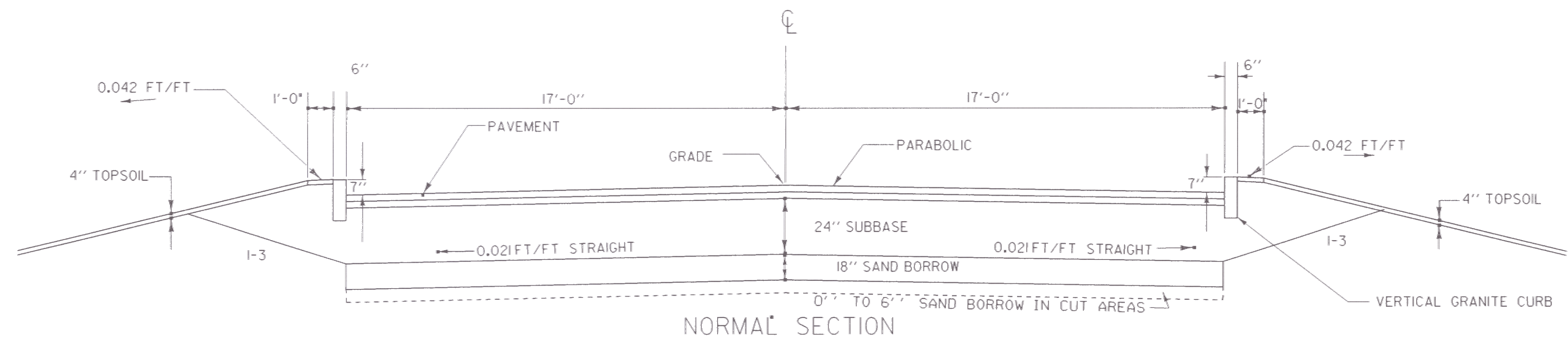
MARKER POSTS- TO BE PLACED AS DIRECTED BY THE ENGINEER.

SLOPE ROUNDING- ALL CUT SLOPES TO BE ROUNDED IN ACCORDANCE WITH STANDARD SHEET B-5.

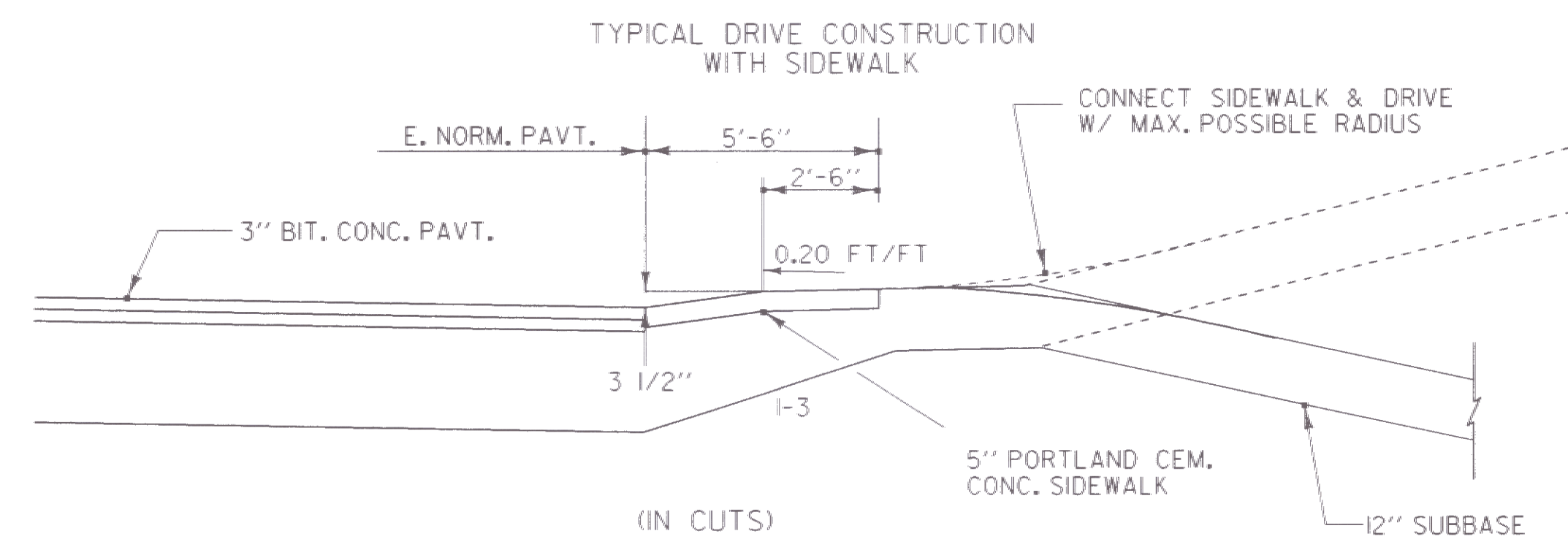
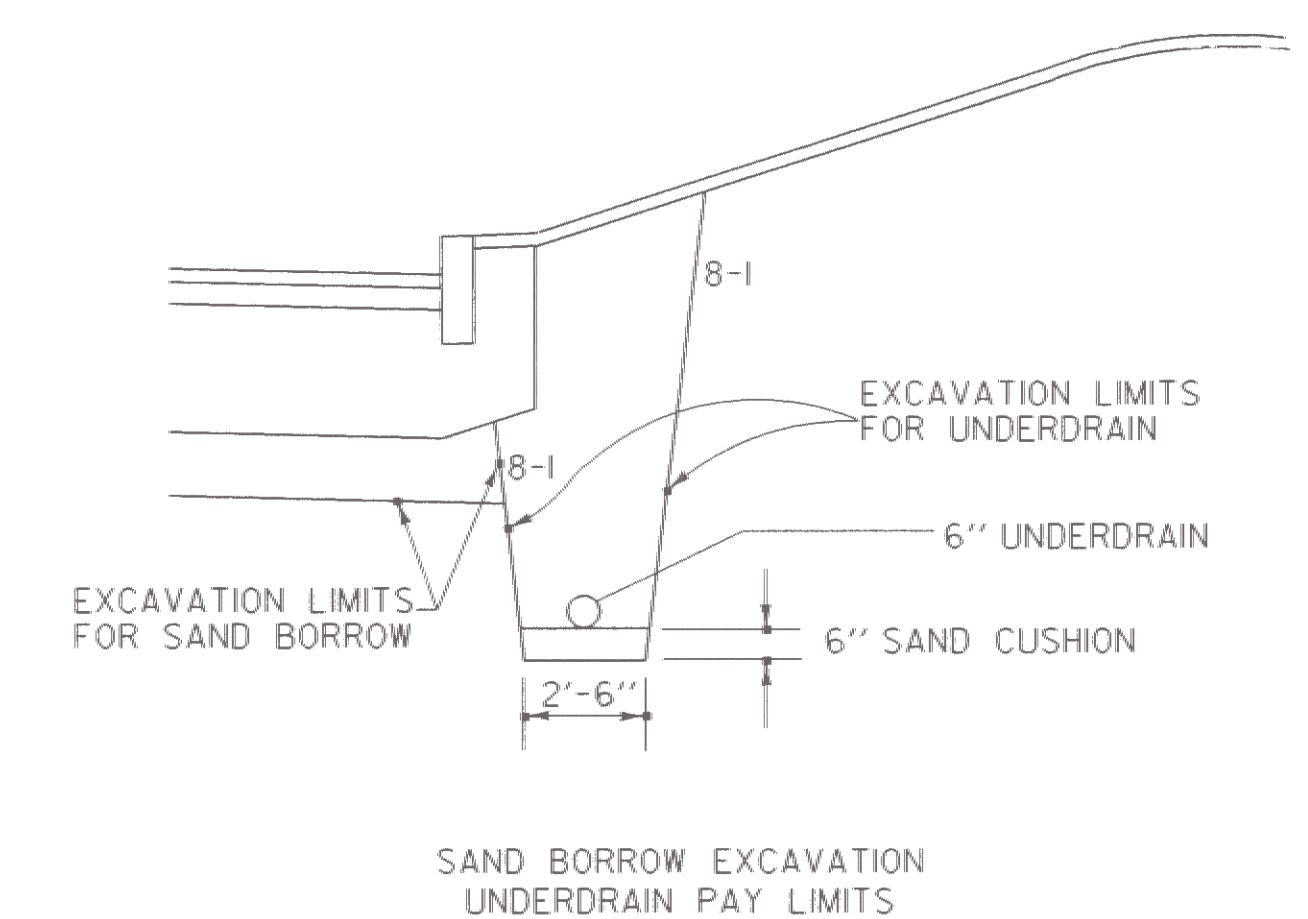
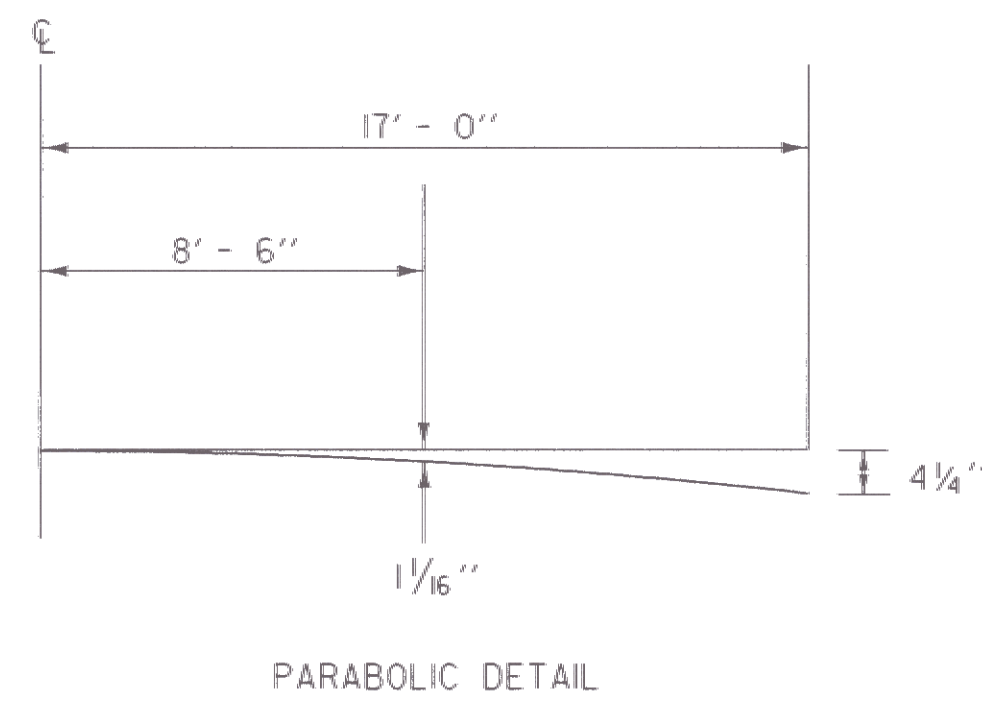
3" BITUMINOUS CONCRETE PAVEMENT  
(1 1/4" TYPE III OVER 1 3/4" TYPE II)  
4" BASE COURSE OF BITUMINOUS CONCRETE PAVEMENT TYPE I (SINGLE LIFT)  
24" SUBBASE OF DENSE GRADED CRUSHED STONE  
18" SAND BORROW  
0" TO 6" SAND BORROW AS INDICATED ON THE PLANS OR AS DIRECTED BY THE ENGINEER

### PERMISSIBLE THICKNESS TOLERANCES

PAVEMENT	±1/4"
BASE COURSE	±1/2"
SUBBASE	±1"
SAND BORROW	±1"



STA. 54+51.70 TO 69+10.35 (HEBERT ROAD TO END OF PROJECT)



**ARCHIVED  
ON CADD**

MONT3 22-FEB-1996

SURVEYED BY \_\_\_\_\_ DATE \_\_\_\_\_  
DRAWN BY REDMOND DATE 6-87  
TRACED BY \_\_\_\_\_ DATE \_\_\_\_\_  
MONTPELIER  
PROJ. M 6400(7)  
SHEET 5 OF 335 SHEETS