

SEEDING FORMULA , ITEM 65I.15
URBAN AREAS

% WT.	LBS./A.	NAME	PUR %	GERM %
37.5	30	CREeping RED FESCUE	98	85
31.25	25	KENTUCKY BLUE GRASS	85	75
31.25	25	PERENIAL RYE GRASS	95	90
100.00	80			

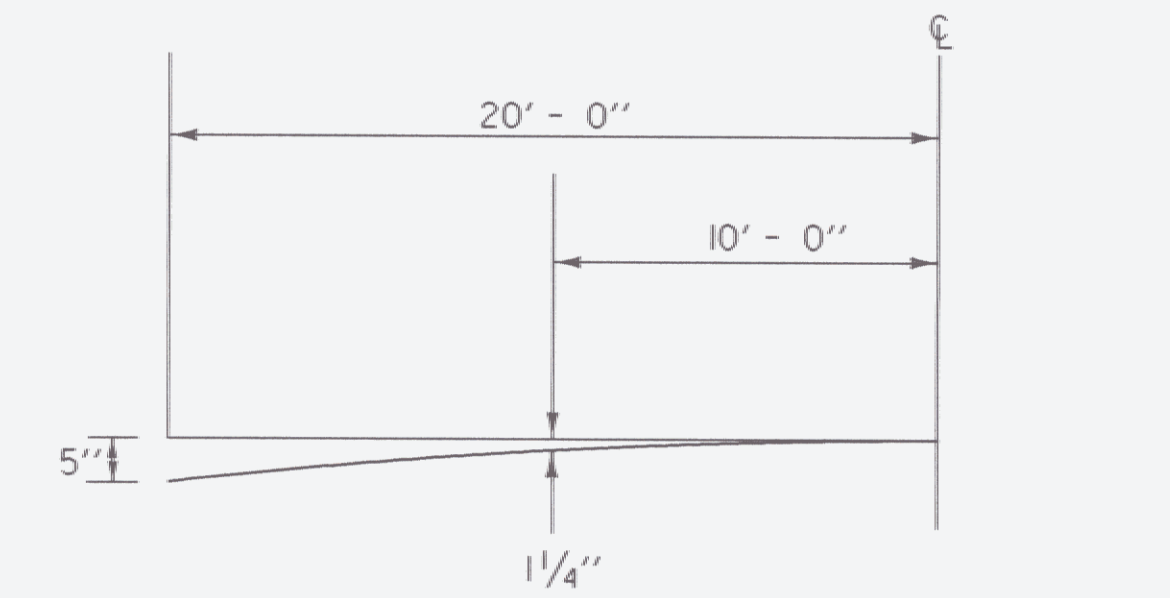
THE SEED MIXTURE SHALL NOT HAVE A WEED CONTENT EXCEEDING 0.40% BY WEIGHT AND SHALL BE FREE OF ALL NOXIOUS WEED SEED.
SEED- TO BE APPLIED PER SEEDING FORMULAS DIRECTED BY THE ENGINEER.
FERTILIZER- FORMULA 10-20-10 TO BE USED WITH SEED, APPLIED AT THE RATE OF 500 LBS./ACRE.
AGRICULTURAL LIMESTONE- TO BE APPLIED AT THE RATE OF 2 TONS/ACRE OR AS DIRECTED BY THE ENGINEER.
HAY MULCH- TO BE PLACED ON EARTH SLOPES AT THE RATE OF 2 TONS/ACRE, OR AS DIRECTED BY THE ENGINEER.
TOPSOIL- TO BE USED WITH SEED AS INDICATED ON THE PLANS, OR AS DIRECTED BY THE ENGINEER.
MARKER POSTS- TO BE PLACED AS DIRECTED BY THE ENGINEER.
SLOPE ROUNDING- ALL CUT SLOPES TO BE ROUNDED IN ACCORDANCE WITH STANDARD SHEET B-5.

TYPICAL SECTIONS

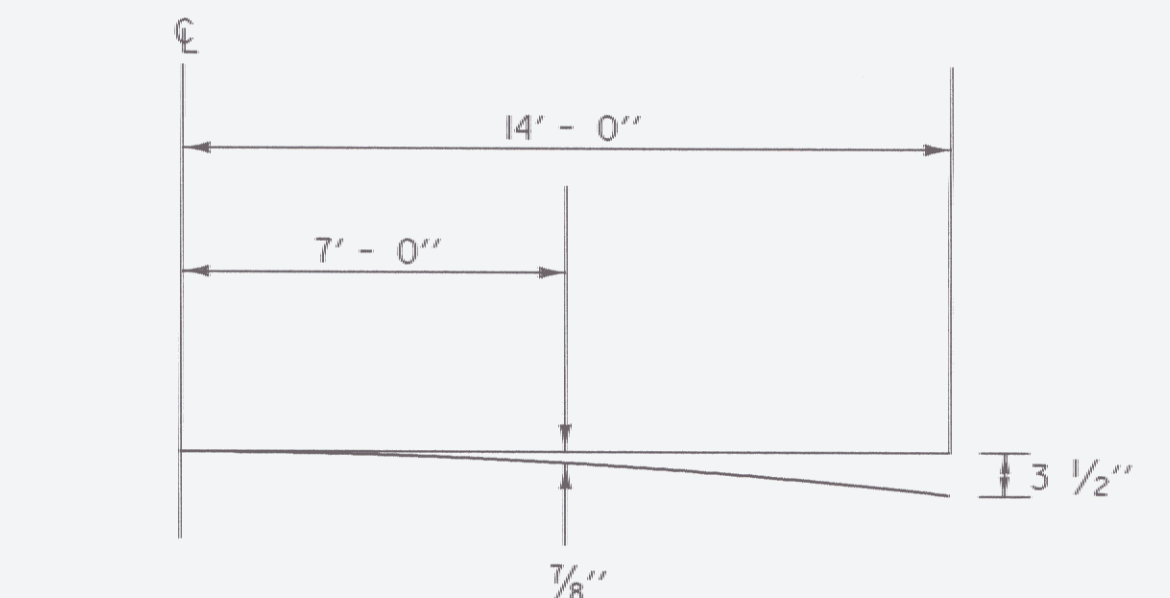
3" BITUMINOUS CONCRETE PAVEMENT
(1 1/4" TYPE III OVER 1 3/4" TYPE II)
4" BASE COURSE OF BITUMINOUS CONCRETE PAVEMENT TYPE I (SINGLE LIFT)
24" SUBBASE OF DENSE GRADED CRUSHED STONE
18" SAND BORROW
0" TO 6" SAND BORROW AS INDICATED ON THE PLANS OR AS DIRECTED BY THE ENGINEER

PERMISSIBLE THICKNESS TOLERANCES

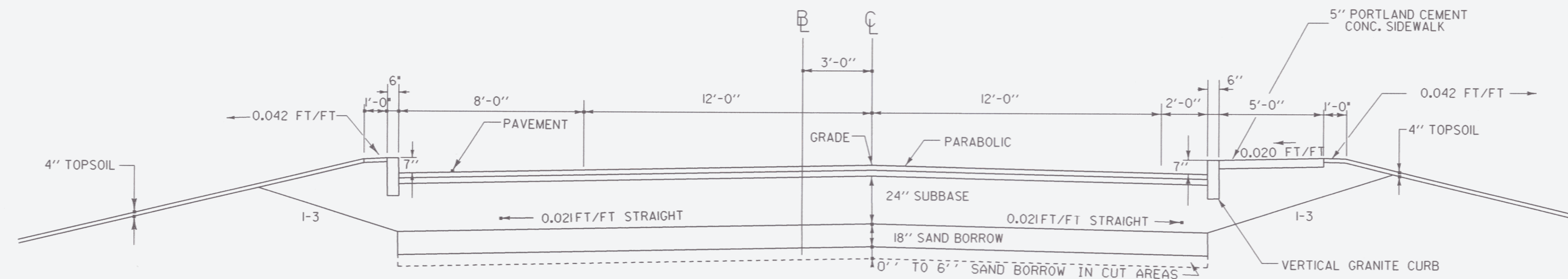
PAVEMENT	±1/4"
BASE COURSE	±1/2"
SUBBASE	±1"
SAND BORROW	±1"



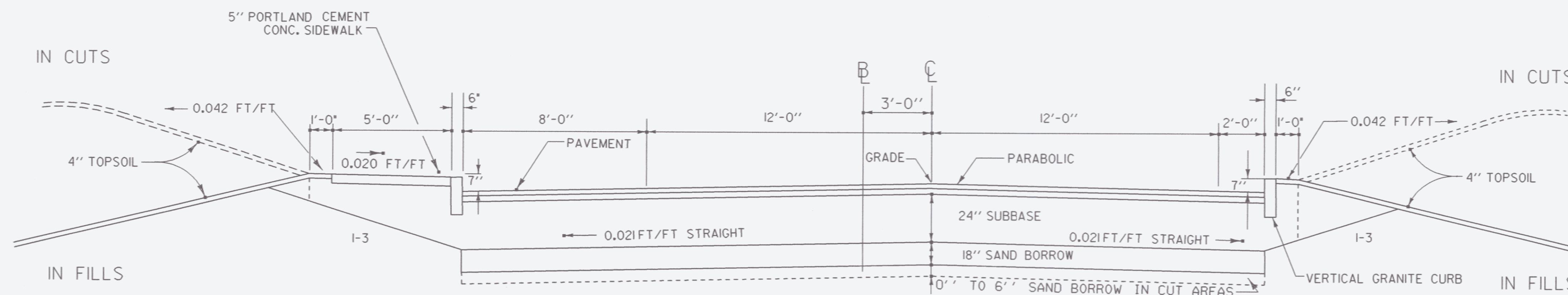
PARABOLIC DETAIL



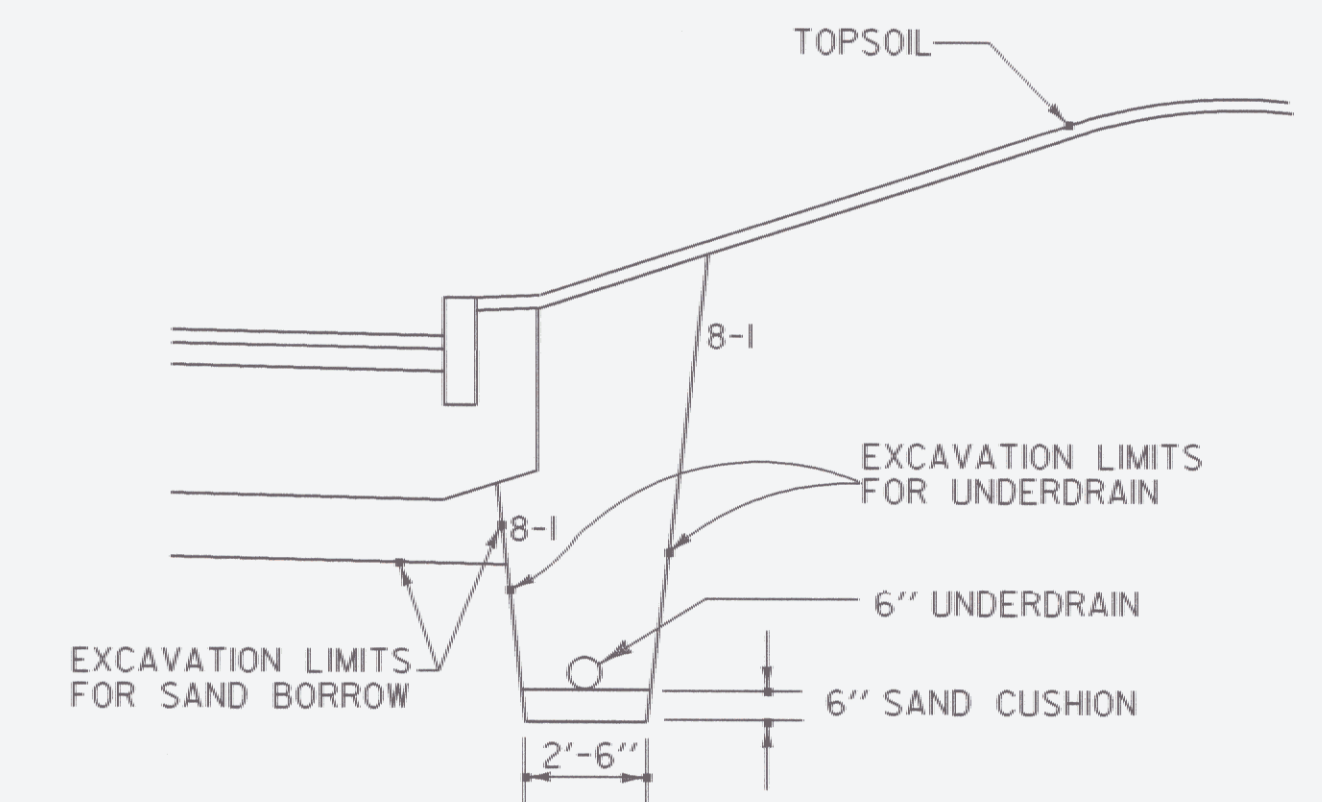
PARABOLIC DETAIL



NORMAL SECTION
U.S. 2 TO OCT. LANE
STA. 11+54.93 TO 19+34.02



NORMAL SECTION
OCT. LANE TO WHEELOCK ST.
STA. 19+34.02 TO 41+57.15



SAND BORROW EXCAVATION
UNDERDRAIN PAY LIMITS

ARCHIVED
ON CADD

MONTTYP1 22-FEB-1 996

SURVEYED BY _____ DATE _____
DRAWN BY REDMOND DATE 6-87
TRACED BY _____ DATE _____
MONTPELIER
PROJ. MEGC-M6400(7)
SHEET 3 OF 335 SHEETS

NOT TO SCALE